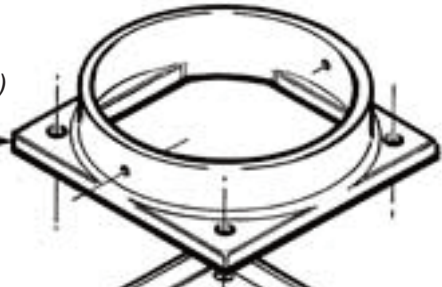


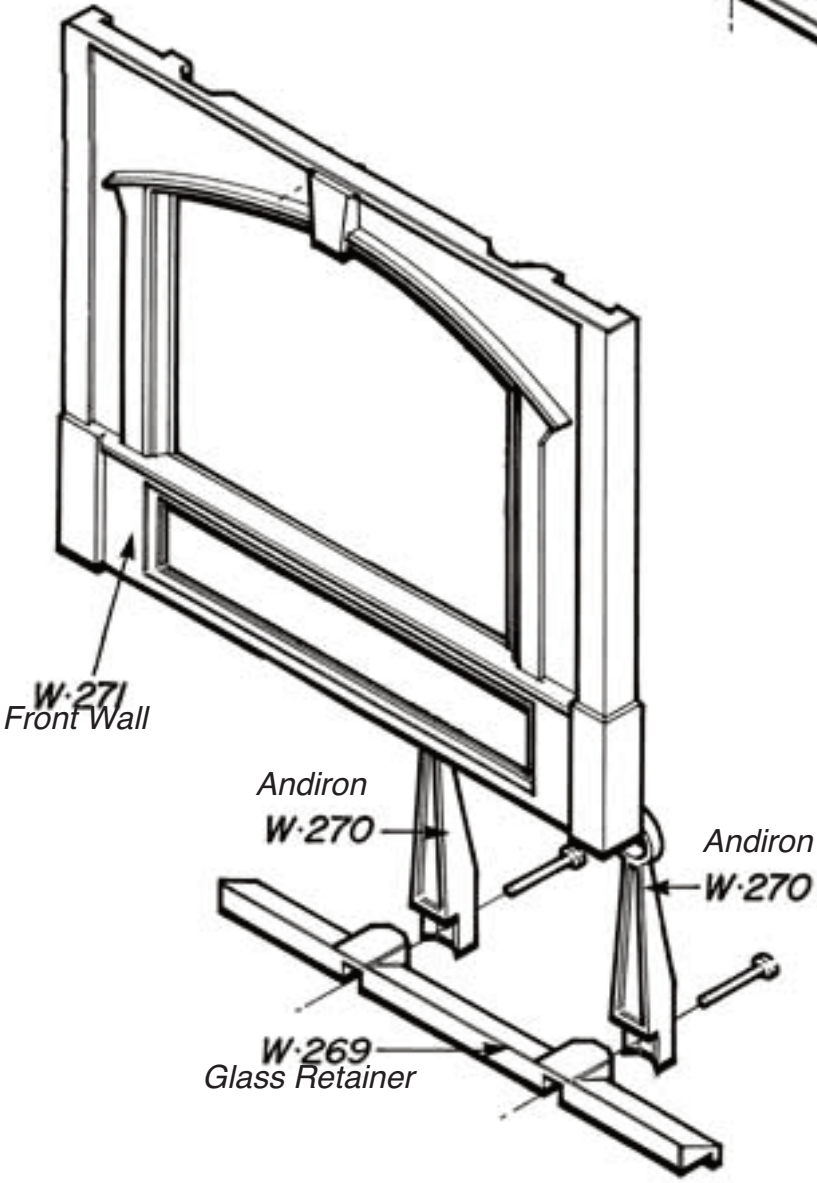
*Flue Collar  
(Keystone & Palladian)*

**W-239**



*Flue Cover*

**W-274**



**W-271**  
*Front Wall*

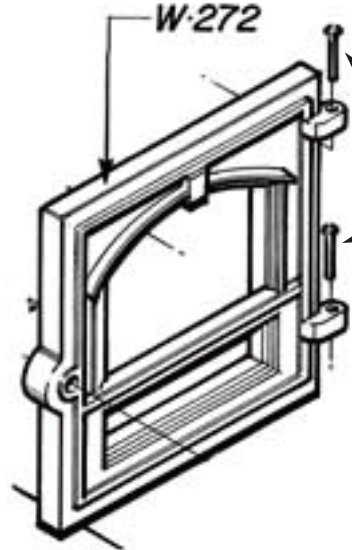
*Andiron*  
**W-270**

*Andiron*  
**W-270**

**W-269**  
*Glass Retainer*

*Side Door*

**W-272**



*Hinge Pins*  
**W-2513**

**Keystone External Parts**