

# PARTS LIST

## Cast Iron Parts

W-174	Fallaway Handle
W-203	Leg
W-207	Door Frame
W-234	Base
W-239	Flue Collar
W-240	Palladian Front Wall
W-271	Keystone Front Wall
W-241	Rear Wall
W-242	Top
W-206	Palladian Flue Cover
W-274	Keystone Flue Cover
K-267	Palladian Door Assembly
K-272	Keystone Door Assembly
K-232/233	Key/Pall Door Knob & Latch Kit
W-231	Grate
W-235	Ash Door
W-236	Ash Door Lock
W-237	Ash Door Handle
W-238	Palladian Glass Retainer
W-243	Combustor Box Bottom
W-244	Combustor Box Top
W-245	Combustor Pan
W-246	Clamp Frame
W-250	Bypass Frame
W-251	Left Top Bracket
W-252	Right Top Bracket
W-253	Bypass Cover
W-254	Bypass Lift Guide
W-255	Damper
W-256	Damper Guide
W-257	Damper Handle
W-258	Instruction Plate
W-259	Rear Stone Retainer
W-260	Air Guide
W-264	Bypass Retainer (pair)
W-269	Keystone Glass Retainer
W-270	Keystone Andiron
W-273	Keystone Door Stone Retainer

## Steel/Sheet Metal Parts

K-531	Stainless Steel Catalytic Combustor with Frame
K-805	Stainless Steel Scoop Assembly
W-805	Scoop plate & screen
W-2601	Scoop Post w/ thru holes
W-2593	Cotter Pins
W-2591	Bypass Actuator Handle
W-261	Combustor Heat Shield
W-262	Stainless Steel Bypass Shaft
W-263	U-Bolt
W-265	Damper Link
W-291	Ash Pan w/ Lid
W-293	V-Pocket
W-294	Bottom Heat Shield
W-312	Window Clips
W-2513	Hinge Pins

*All steel parts manufactured by Woodstock Soapstone Company*

## Soapstone Parts

	#pcs	
W-276	Exterior Back Stone	2
W-277	Exterior Small Top Stone	1
W-278a	Exterior Large Top Stone	2
W-279	Interior Side Stone	1
W-280	Interior Under Front Stone	1
W-281	Interior Back Stone	1
W-282	Keystone Exterior Key Stone	1
W-283	Keystone Door Stone	1
W-284a	Exterior Over Door Stone	1
W-284b	Exterior Under Door Stone	1
W-284c	Exterior Under Front Stone	1
W-285	Exterior Left Side Stone	1

*All soapstone parts cut and fabricated by Woodstock Soapstone Company*

## Other Parts

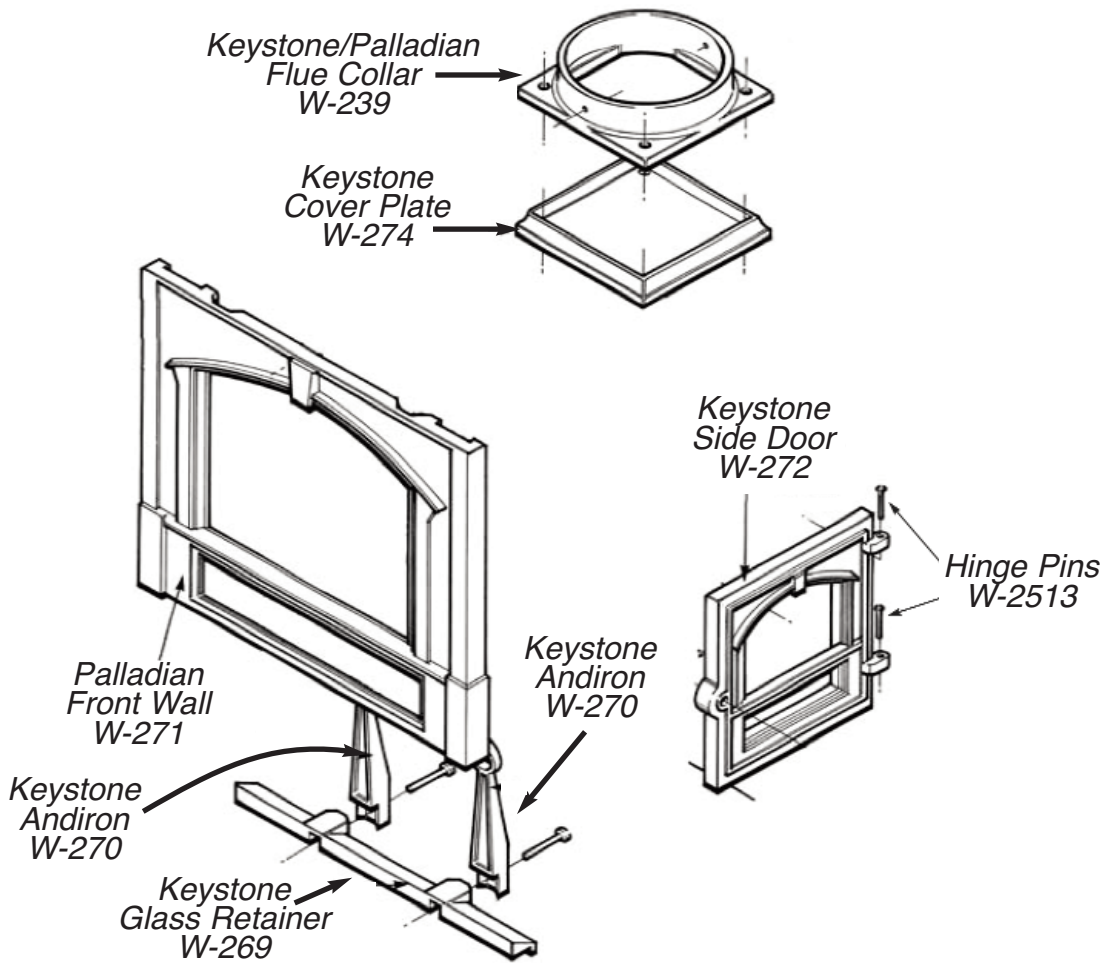
W-204	Glass 11.125"x16"x 5mm- Pyroceram III
W-2404	Black Phenolic Knob
8"	Probe Thermometer
	Surface Thermomometer

## Gasket List

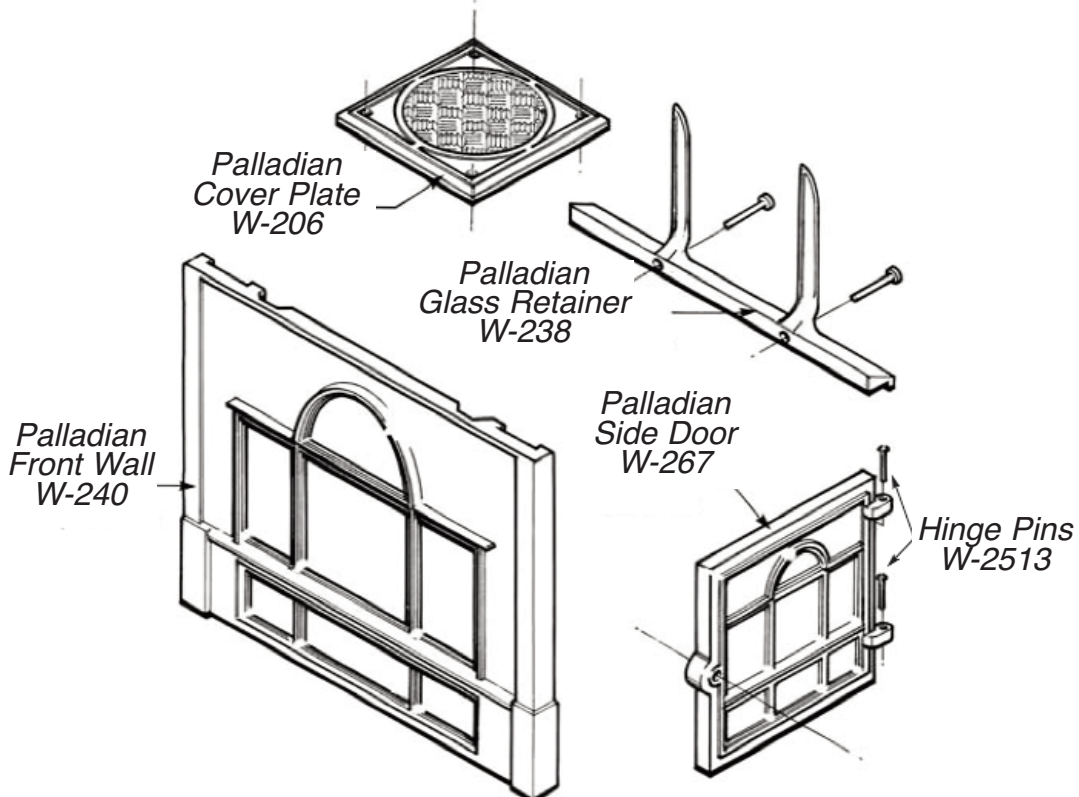
Part #	Desc.	Location	Density	Amount
21063	.375" gasket	Keystone Loading Door	LD1	3 Feet
21092	.312" gasket	Palladian Loading Door		3 Feet
21066	.500" gasket	Bypass Frame	LD1	3 Feet
21066	.500" gasket	Ash Door	LD1	3 Feet
21085	.250" gasket	Under Combustor	LD2	3 Feet
21209	.75" flat adhesive	Window Gasket		11 Feet
21085	.250" gasket	Flue collar & cover plate	LD2	6 Feet
W-1601	2" Interam Gasket	Around the catalytic combustor ( <i>built prior to 06/2013</i> )		4 Feet
W-1800	Furnace Cement			1 Tube
W-1605a	Gasket Glue			.5 oz bottle

A Full Gasket Maintenance Kit (202/204-MK) is available and includes the above listed gaskets (except interam gasket), furnace cement, gasket glue, and steel wool.

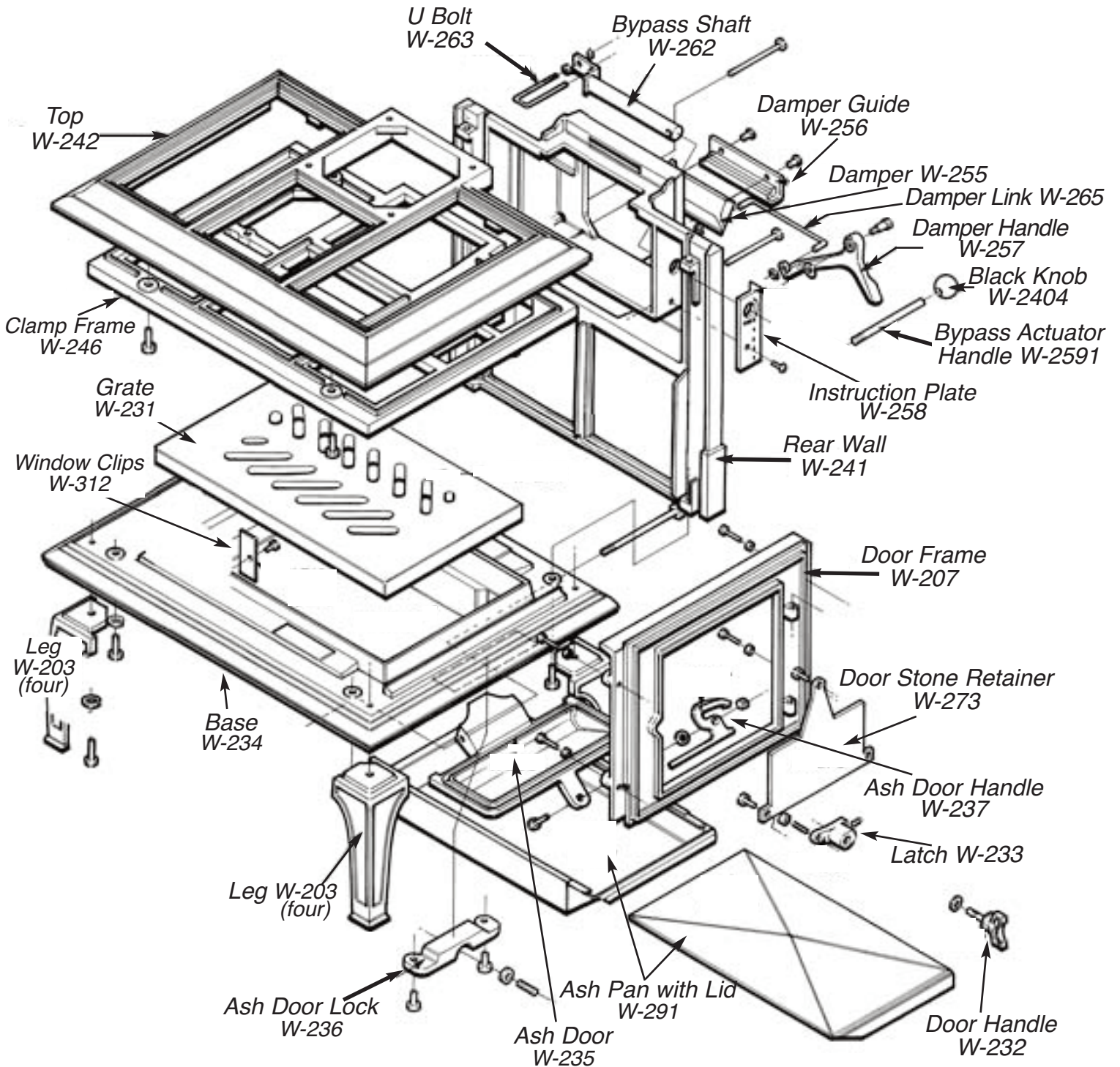
## KEYSTONE EXTERNAL PARTS



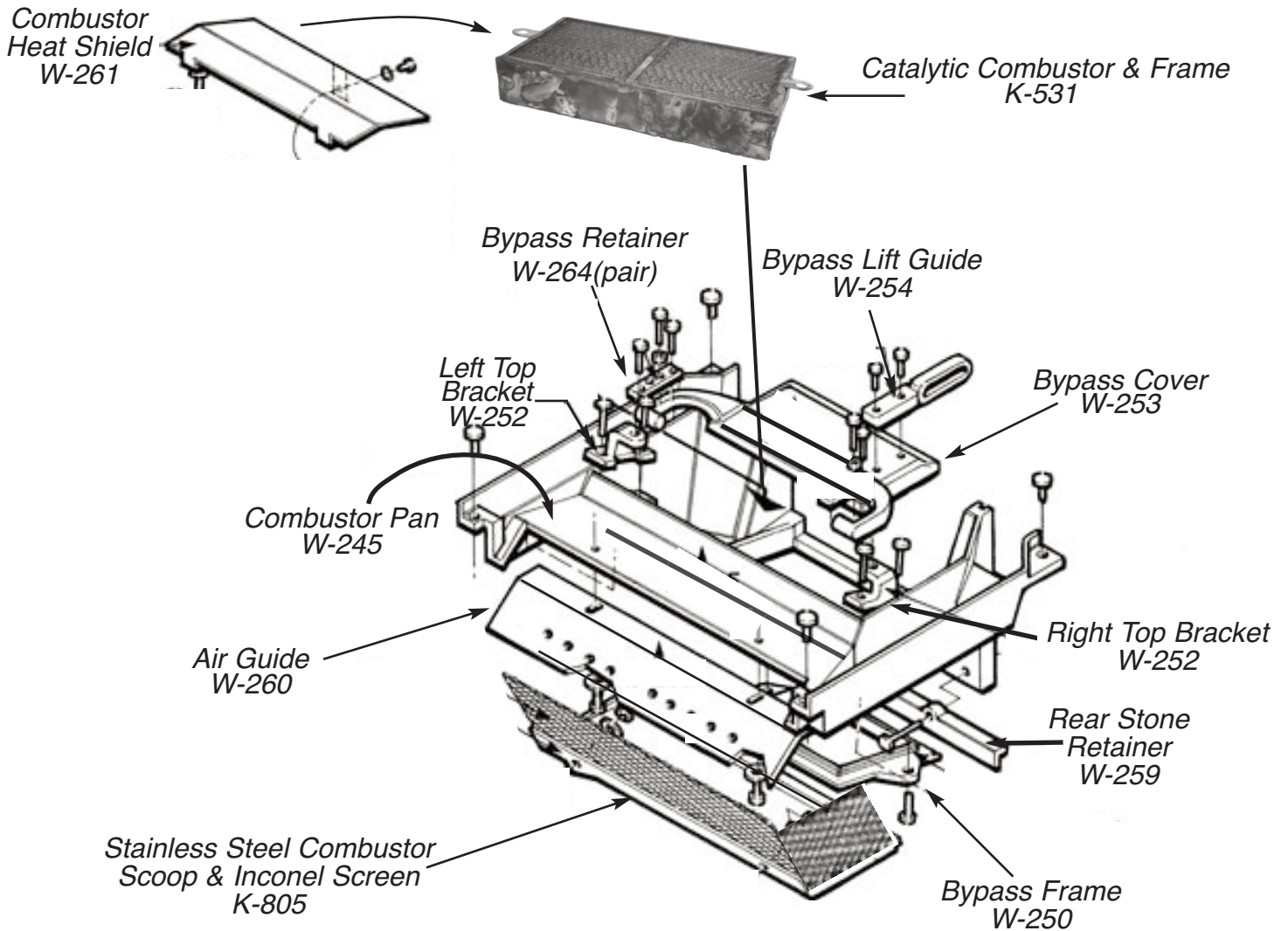
## PALLADIAN EXTERNAL PARTS



# KEYSTONE -PALLADIAN FRAME

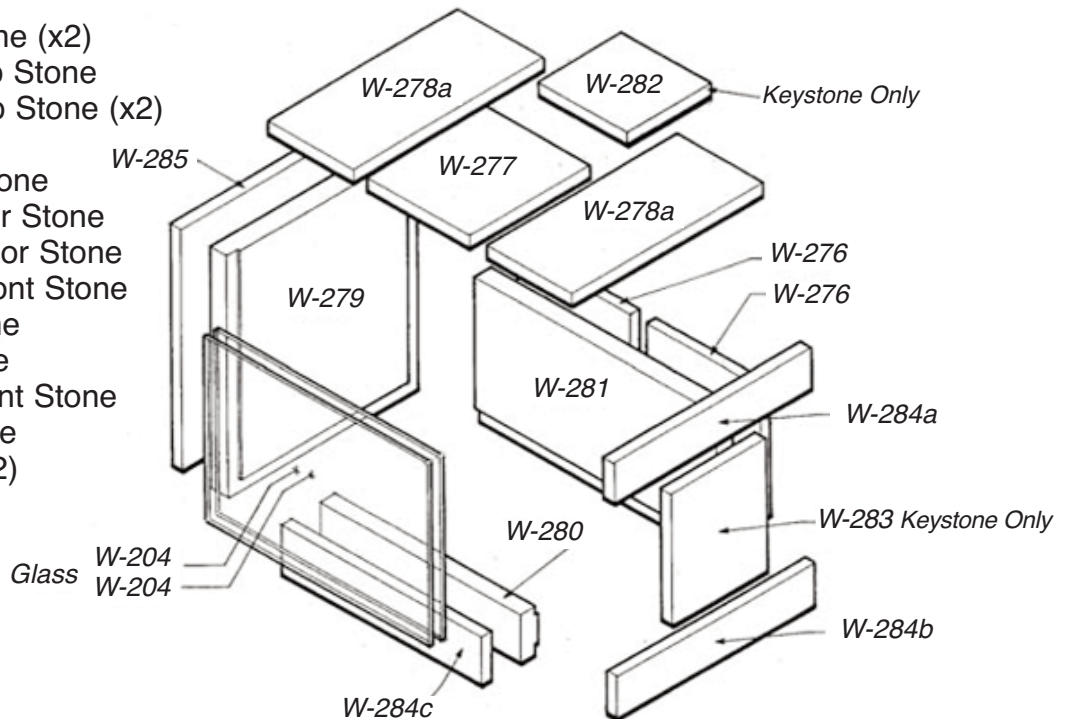


## KEYSTONE -PALLADIAN UPPER INTERIOR



## KEYSTONE -PALLADIAN STONE

- W-276 Exterior Back Stone (x2)
- W-277 Exterior Small Top Stone
- W-278a Exterior Large Top Stone (x2)
- W-282 Exterior Keystone
- W-283 Keystone Door Stone
- W-284a Exterior Over Door Stone
- W-284b Exterior Under Door Stone
- W-284c Exterior Under Front Stone
- W-285 Exterior Side Stone
- W-279 Interior Side Stone
- W-280 Interior Under Front Stone
- W-281 Interior Back Stone
- W-204 Ceramic Glass (x2)

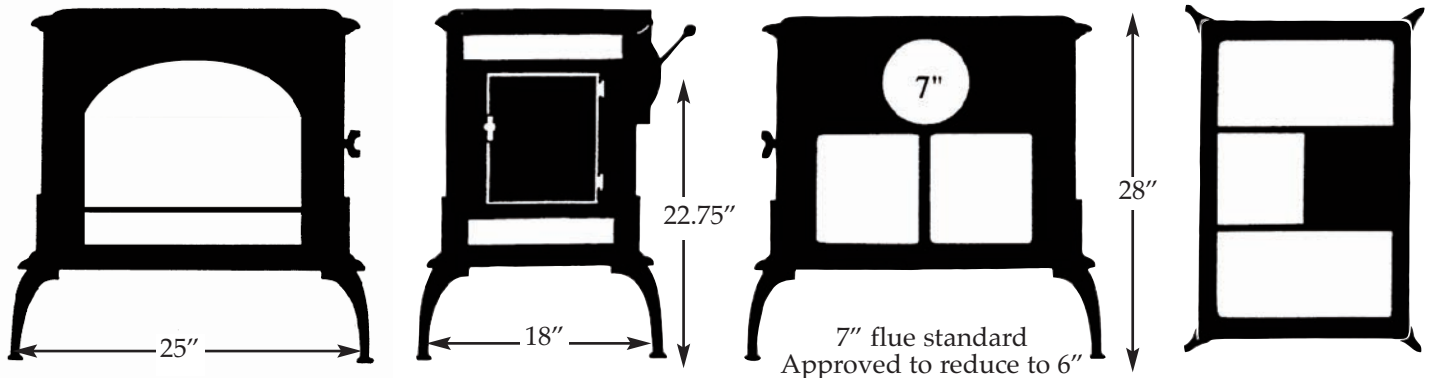


# DIMENSIONS & SPECIFICATIONS

H x W x D .....28" x 25" x 20"  
 Flue Exit.....Top or Back  
 Flue Size.....7" or 6"  
 Flue Height to Center (Back Vent).....22.75"  
 Keystone Weight.....440lbs.  
 Palladian Weight.....430 lbs.  
 Loading Door.....Right Side Only  
 Loading Door Size (HxW).....9.5"x8.5"  
 Wood Length (Maximum).....16"  
 Firebox Size.....1.4 Cubic ft.  
 BurnTime.....8-10 hrs.  
 Heat Output Range.....9,989-46,437 BTU/hr  
 Area Heated .....800-1,300 sq. ft.

EPA 2020 Certified ..... Yes  
 Listed to UL 1482..... Yes  
 EPA Emissions Rating.....0.85 grams/hr  
 EPA Efficiency (HHV).....80%  
 EPA Efficiency (LHV) .....86%  
 Catalytic Combustor ..... Standard  
 Ash Pan..... Standard  
 Back Clearance (no protection).....30"  
 Back Clearance (w/Heat Shield Kit) ... 14.5" (top vent)  
 Side Clearance.....18"  
 Mobile Home Approved ..... Yes

## KEYSTONE MODEL 204



## PALLADIAN MODEL 202

