

TO THE INSTALLING TECHNICIAN:

First, thank you from all of us at Woodstock Soapstone Co. for installing this Franklin Fireplace for one of our customers. If you have any questions about installation, please call us at 800-866-4344. Technical Support will be available from 9:00AM to 5:00PM Eastern Time, Monday through Saturday. At any other time, you may leave a message with our answering service with your phone number and the best time to call, and we will return your call during the next business day.

Please also take the time to go through the Warranty Checklist with the owner. This will validate the warranty, assure us and the owner that the installation was performed to local and national codes, and help familiarize the owner with the safe operation of this gas Fireplace.

Installation must conform to these instructions and local codes or, in the absence of local codes, with the current National Fuel Gas Code ANSI Z233.1/NFPA 54.

We at Woodstock Soapstone Company are proud to manufacture top quality hearth products. When you install this Fireplace, we ask that you maintain our tradition of conscientious effort to make our customers happy with our product and service.

Sincerely,

The Technical Support Staff
Woodstock Soapstone Co., Inc.

QUESTIONS:

800-866-4344

9:00 AM to 5:00 PM

Eastern Time

Monday – Saturday

WARNING: This unit must be installed by a qualified gas technician in accordance with local codes or in the absence of local codes, with the most current edition of the National Fuel Gas Code ANSI Z223.1/NFPA 54.

TABLE OF CONTENTS

Section	Page	Section	Page
1) Code Approvals.....	2	15) Lighting Instructions.....	21
2) Specifications	2	16) Safety Instructions.....	24
3) Tools Needed to Install the Fireplace.....	3	17) Remote Control	25
4) Approved Venting/Chimney Materials	3	18) Lighting the Fire for Remote Control Owners.....	27
5) Approved Clearances for Inside Locations.....	4	19) Wall Thermostat	28
6) Approved Venting/Chimney Configurations	6	20) Lighting the Fire for Thermostat Owners	28
7) Approved Venting/Chimney Terminal Clearances .12		21) Routine Maintenance	30
8) Unpacking the Franklin Gas Fireplace	13	22) Annual Inspection	32
9) Pre-Installation Inspection Checklist	13	23) Troubleshooting - Owner	33
10) Assembling the Franklin Gas Fireplace	14	24) Warranty	35
11) Connecting the Gas Supply/Testing the Flame.....	15	Appendix A - Parts List.....	36
12) Testing Check List and Warranty Registration	18	Appendix B - Remote/Wall Thermostat Installation..	38
13) Troubleshooting - Installer only	19		
14) Operating your Gas Fireplace	21		

NOTE: Diagrams include optional 90° elbow.

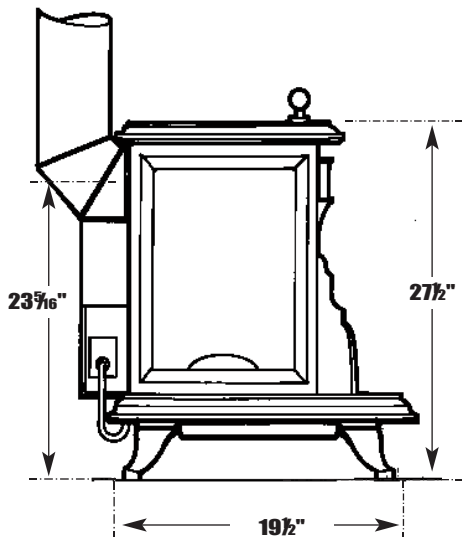


Illustration 2.1 Side View.

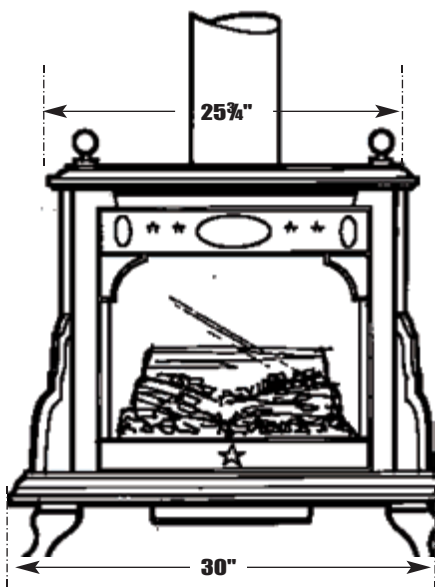


Illustration 2.2 Front View.

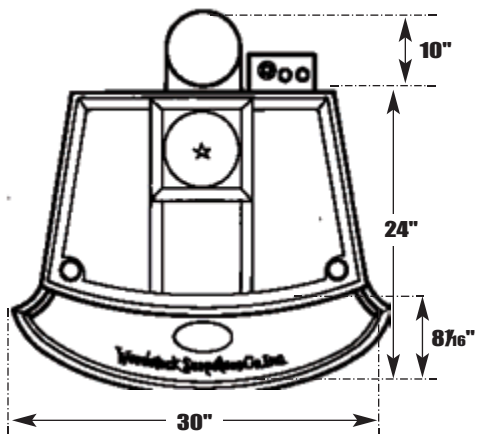


Illustration 2.3 Top View.

1. CODE APPROVALS • Direct Vent • Natural Gas • LPG

The Woodstock Franklin Gas Fireplace is listed as a direct vent appliance. This type of appliance draws all of its air for combustion from outside of the dwelling through specially designed pipe. It is available in natural gas or LPG (liquid propane gas) versions.

Tested to: American National Standard ANSI Z21.88b-2017 and applicable portions of UL3076.

2. SPECIFICATIONS

For The Woodstock Franklin Gas Fireplace:

Fuel	Liquefied Petroleum Gas (LPG)
.....	Natural Gas (NG)
Manifold Pressure, LPG	10.0" w.c.
Manifold Pressure, NG	3.5" w.c.
Minimum inlet supply pressure for input adjustment LPG	11.0" w.c.
Minimum inlet supply pressure for input adjustment NG	5.0" w.c.
Maximum inlet supply pressure LPG	13.0" w.c.
Maximum inlet supply pressure NG	11.0" w.c.
Input, Btu/Hr (0 – 2,000 ft.)	LPG Max.33,883
	Min.26,511
	NG Max.34,314
	Min.22,523
Output, Btu/Hr	LPG Max.26,280
	Min.20,561
	NG Max.25,876
	Min.16,985
Orifice size, LPG	
Sea level to 3000'#51
3001' to 7000'#53
7001' or more#54

Orifice size: NG	
Sea level to 2000'#36
2001' to 3000'#37
3001' to 4000'#38
4001' to 5000'#39
5001' to 6000'#40
6001' to 7000'#41
7001' to 8000'#42
8001' or more#43

AFUE: (Annual Fuel Utilization Efficiency)	(71% minimum)
Glass Panel	High temperature ceramic glass
Weight, Fireplace only	385 lbs.
shipping	450 lbs.
Ignition	Standing pilot with Piezo ignition

Hearth: The hearth immediately under the Fireplace should be constructed of non-combustible material - ceramic tile (not vinyl), stone, or metal. Protect carpet or any combustible surface with a hearth that covers an area equal to the full width and depth of the Fireplace (24" x 30") or greater.

Clearance to combustible materials

Front	30"
Sides	8"
Rear of Fireplace	10"
Corners	2"
Rear of 90 Degree Elbow.....	2"

3. TOOLS NEEDED TO INSTALL THE FIREPLACE

- Multi-meter
- Manometer
- Gas sniffer
- Open end wrenches 1/2 inch and 7/16 inch or adjustable end wrenches
- Window Clip Tool
- Phillips Screwdriver
- Drill

4. APPROVED VENTING/CHIMNEY MATERIALS

The venting/chimney system for your Franklin Gas Fireplace must be constructed of Simpson Dura-Vent 4" x 6^{5/8}" direct vent gas pipe. All approved direct vent components bring fresh air into the Fireplace and vent exhaust gasses at the same time (see illustration 4.1).

Approved venting materials are available from Simpson Dura-Vent Dealers or direct from Woodstock Soapstone Company. Approved components are listed below.

**THIS APPLIANCE
MUST NOT BE
CONNECTED TO A
CHIMNEY SERVING A
SEPARATE SOLID
FUEL BURNING
APPLIANCE**

<u>Description</u>	Dura-Vent No.	
	Galvanized	Black
<i>Standard Direct Vent Kit consists of:</i>		
2 6 ^{5/8} " x 2' Straight Pipe <u>OR</u>	46DVA-24	46DVA-24B
1 6 ^{5/8} " x 6" Straight Pipe	46DVA-06	46DVA-06B
1 8 ^{1/2} " Pipe Extension	46DVA-08A	46DVA-08AB
2 6 ^{5/8} " x 90 Degree Elbow	46DVA-E90	46DVA-E90B
1 6 ^{5/8} " Wall Thimble	46DVA-WT	*
1 6 ^{5/8} " Wall Thimble Cover		46DVA-DC
1 6 ^{5/8} " Sq. Horizontal Termination	46DVA-HC	*



Illustration 4.1 Direct-vent pipe sends exhaust out and brings air in at the same time.

* Galvanized Only

Other Available Pipe:

<u>Description</u>	Galvanized	Black
6 ^{5/8} " x 6" Straight Pipe	46DVA-06	46DVA-06B
6 ^{5/8} " x 9" Straight Pipe	46DVA-09	46DVA-09B
6 ^{5/8} " x 12" Straight Pipe	46DVA-12	46DVA-12B
6 ^{5/8} " x 18" Straight Pipe	46DVA-18	46DVA-18B
6 ^{5/8} " x 24" Straight Pipe	46DVA-24	46DVA-24B
6 ^{5/8} " x 36" Straight Pipe	46DVA-36	46DVA-36B

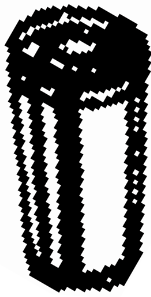


Illustration 4.2 All approved Simpson Dura-Vent Pipe has an inside passage to vent exhaust gasses, and an outside passage used to bring in fresh air for combustion.

6 ⁵ / ₈ " x 48" Straight Pipe	46DVA-48	46DVA-48B
6 ⁵ / ₈ " x 8.5" Pipe Ext.(3-7")	46DVA-08A	46DVA-08AB
6 ⁵ / ₈ " x 16" Pipe Ext. (3-14.5")	46DVA-16A	46DVA-16AB
6 ⁵ / ₈ " x 45 Degree Elbow	46DVA-E45	46DVA-E45B
6 ⁵ / ₈ " x 90 Degree Elbow	46DVA-E90	46DVA-E90B
6 ⁵ / ₈ " x 30 Degree Adj. Elbow	46DVA-E30	*
6 ⁵ / ₈ " x 60 Degree Adj. Elbow	46DVA-E60	*
Sq. Horizontal Termination Cap	46DVA-HC	*
48" Snorkel Termination Cap	FF/CF-SNK	*
Vinyl Siding Standoff	46DVA-VSS	*
6 ⁵ / ₈ " Wall Thimble	46DVA-WT	*
Wall Thimble Cover		46DVA-DC
Cathedral Ceiling Support Box		46DVA-CS
Restrictor Disc (top vent)	46DVA-RD	*
Storm Collar	46DVA-SC	*
Adj Roof Flashing (0/12-6/12 pitch)	46DVA-F6	*
Adj Roof Flashing (7/12-12/12 steep pitch)	46DVA-F12	*
High Wind Vertical Termination Cap	46DVA-VCH	*
Extended Vertical Termination Cap	46DVA-VCE	*
3" x 35' Flex Extension	2280	*
4" x 35' Flex Extension	2281	*
Masonry Chimney Conversion Kit	46DVA-KMC	
Chimney Conversion Kit A	46DVA-KCA	
Chimney Conversion Kit B	46DVA-KCB	
Chimney Conversion Kit C	46DVA-KCC	

* Galvanized Only

5. APPROVED CLEARANCES FOR INSIDE LOCATIONS

WARNING: Due to high temperatures, the Franklin Gas Fireplace should be placed out of traffic and away from furniture, draperies and other combustibles.

The Franklin Gas Fireplace is approved for venting in five configurations:

- (1) Up vertically as much as 20' and then elbow through an outside wall with a maximum horizontal run of 4'.
- (2) Straight out the back through an outside wall and into a snorkel termination cap (maximum 4' horizontal run, with 1/4" rise per foot of run).
- (3) Up vertically through the roof, with maximum rise of 24'.
- (4) Into an existing fireplace and chimney (maximum height of 24').
- (5) Into an existing masonry or prefabricated metal chimney (maximum height of 24').

NOTE: Details for these five configurations start on page 6.

Clearances inside the house for these three basic installations are indicated in the illustrations which follow.

The surface of the Franklin Gas Fireplace is hot when the appliance is in use. A safe installation requires that there be adequate clearances between the Franklin Gas Fireplace and nearby combustible materials, so that the combustible materials are not overheated. The diagrams that follow show minimum distances between the Fireplace, Exhaust Pipe and nearby combustible materials.

CLEARANCES TO COMBUSTIBLE MATERIALS	
Front	30"
Sides	8"
Rear of Fireplace	10"
Corners	2"
Rear of 90 Degree Elbow ..	2"

WARNING: This unit must be installed by a qualified gas technician in accordance with local codes or in the absence of local codes, with the most current edition of the National Fuel Gas Code ANSI Z223.1/NFPA 54.

Clearance Requirements

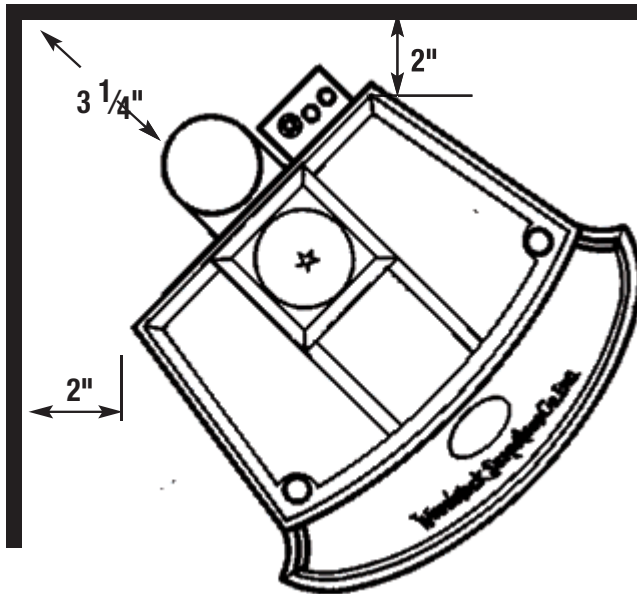


Illustration 5.1 *Minimum Clearances: Corner Installation*

A Corner Installation

Minimum Clearances

Min. Clearance from corners to both side walls2"

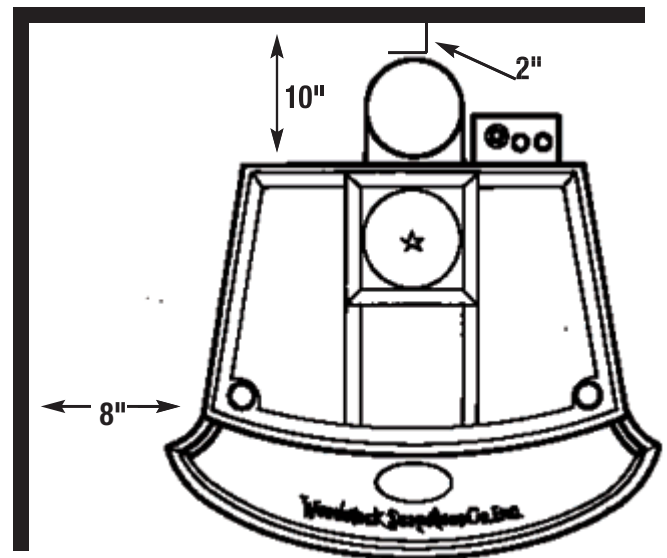


Illustration 5.2 *Minimum Clearances: Parallel Installation*

B Parallel Installation

Minimum Clearances

Min. Clearance from back of pipe to wall2"

Min. Clearance from back of stove to wall10"

Min. Clearance from Fireplace to side wall (if applicable)8"

C Alcove Installation

The Franklin Gas Fireplace is approved for installation in an alcove constructed of combustible materials.

Minimum Clearances for Alcove Installation

Min. Clearance from back of pipe to wall2"

Min. Clearance from back of stove to wall.....10"

Min. Clearance from Fireplace to side walls8"

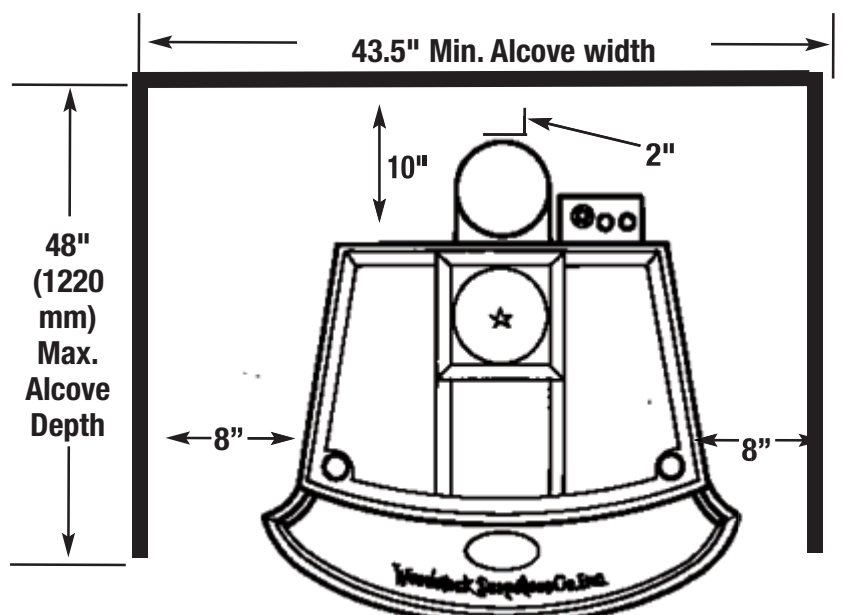


Illustration 5.3 *Minimum Clearances: Alcove Installation*

Combustible Ceiling in Alcove Installation

Minimum Clearances to Ceilings in Alcove Installation
Min. Clearance from top of pipe to ceiling/mantle6"

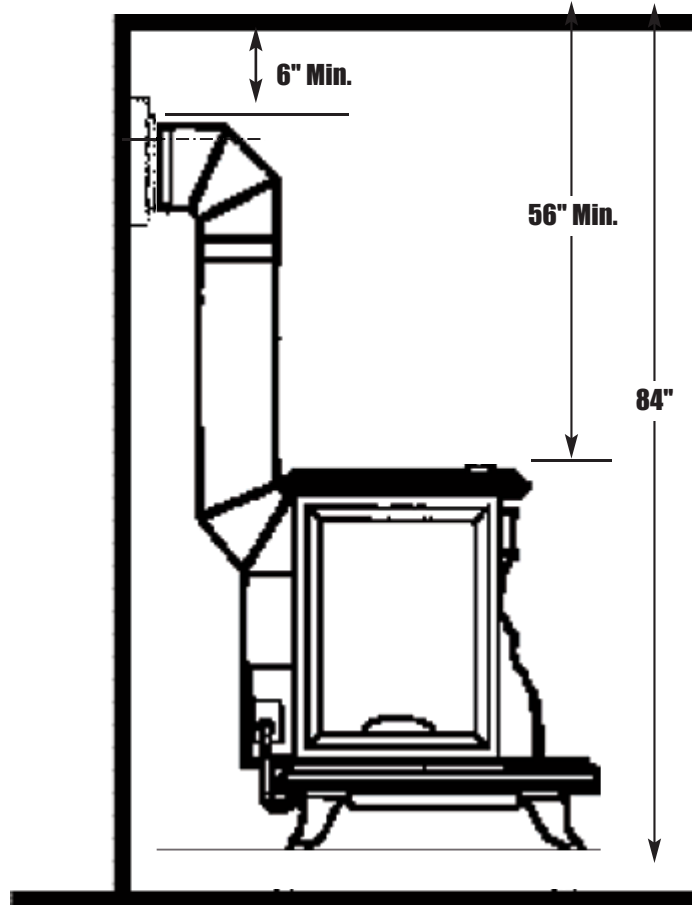


Illustration 5.4 *Minimum Clearances to Ceiling in Alcove Installation*

6. APPROVED VENTING/CHIMNEY CONFIGURATIONS

CLEARANCES FOR VENT TERMINAL

Clearances for vent terminal locations are indicated in the diagram and chart on page 12.

Refer to the manufacturers instructions regarding installation of your venting system through walls or ceilings. Use only Simpson Dura-Vent GS Direct-Vent Flue Systems.

The Franklin Gas Fireplace is designed to be installed in the following configurations:

A. Side Wall Venting

In this venting configuration, the pipe rises directly from the back of the Fireplace. The exhaust travels up, through two elbows, and out through a side wall.

MINIMUM AND MAXIMUM DISTANCES

- Minimum rise3 feet
- Maximum rise20 feet
- Maximum run4 feet
- Maximum linear distance24 feet
- Minimum rise to run ratio2:1
(NOTE: for example, a 3' run requires at least a 6' rise;
a 2' run requires at least a 4' rise, and so on)
- Wall Opening:
Masonry wall7" opening
Non-masonry wallframed to 10" x 10"

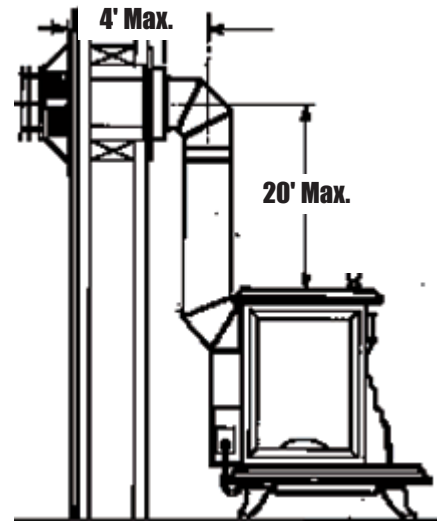


Illustration 6.1

Refer to Simpson Dura-Vent instruction regarding installation of your Direct-Vent System.

Please note the following considerations for the location of the vent terminal:

1. The horizontal run must rise a minimum of 1/4" per foot of run toward the vent termination.
2. The termination must not be recessed into the the exterior wall or siding.
3. Clearances must be maintained around the vent termination . See illustrations on page 12.
4. Vinyl Siding requires protection from vented heat above the termination. Use Simpson Dura-vent Vinyl Siding Heat Shield Kit, part #46DVA-VSS.



**ALL VENT CLEARANCES MUST BE MAINTAINED.
CHECK YOUR VENT CLEARANCES AGAINST THE
ILLUSTRATIONS ON PAGE 12.**

The venting should be located so that people cannot be burned by accidentally touching hot vent surfaces while the Fireplace is in operation.

The vent termination must be placed so that it cannot be damaged by automobile doors, lawnmowers or yard equipment, or falling ice and snow.

B. Side Wall Venting (straight back through wall)

In this venting configuration, the pipe runs directly out the back of the Fireplace, through an outside wall and then up with a snorkel termination cap. See illustration at left.

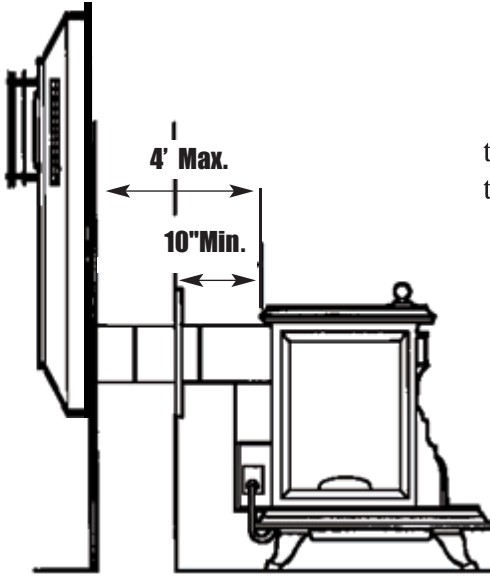


Illustration 6.2

MINIMUM AND MAXIMUM DISTANCES

- Maximum run4 feet
- Minimum rise2 feet
- Minimum Distance between the inside wall and the back of Fireplace10"
- Wall Opening:
 - Masonry wall7" opening
 - Non-masonry wall.....framed to 10" x 10"

Refer to the Simpson Dura-Vent instructions regarding installation of your Direct-Vent system.

Please note the following considerations for the location of the vent terminal:

1. The horizontal run must rise a minimum of 1/4" per foot of run toward the vent termination.
2. Clearances must be maintained around the vent termination . See illustrations on page 12.
3. The termination must not be recessed into the the exterior wall or siding.



ALL VENT CLEARANCES MUST BE MAINTAINED. CHECK YOUR VENT CLEARANCES AGAINST THE ILLUSTRATIONS ON PAGE 12.

The venting should be located so that people cannot be burned by accidentally touching hot vent surfaces while the Fireplace is in operation.

The vent termination must be placed so that it cannot be damaged by automobile doors, lawnmowers or yard equipment, or falling ice and snow.

C. Vertical Venting (straight up through roof)

In this venting configuration, the pipe rises directly from Fireplace and goes up through the roof, terminating above the roof without the addition of more elbows. See illustration 6.3.

MINIMUM AND MAXIMUM DISTANCES

- Maximum vertical rise (1 elbow)24'
Note: Each additional elbow reduces the maximum rise by 3 feet.

- Optional ...1 1/2" restrictor ring at the elbow in the Fireplace

Height of termination above roof must conform to chart below

Roof Pitch	A Minimum height from roof to lowest discharge opening
Flat to 6/12	1.0 feet
6/12 to 8/12	2.0 feet
8/12 to 10/12	3.0 feet
10/12 to 12/12	4.0 feet

Refer to the Simpson-Dura Vent instructions regarding installation of your Direct-Vent system.



ALL VENT CLEARANCES MUST BE MAINTAINED. CHECK YOUR VENT CLEARANCES AGAINST THE ILLUSTRATIONS AT RIGHT, AND CHART ABOVE.

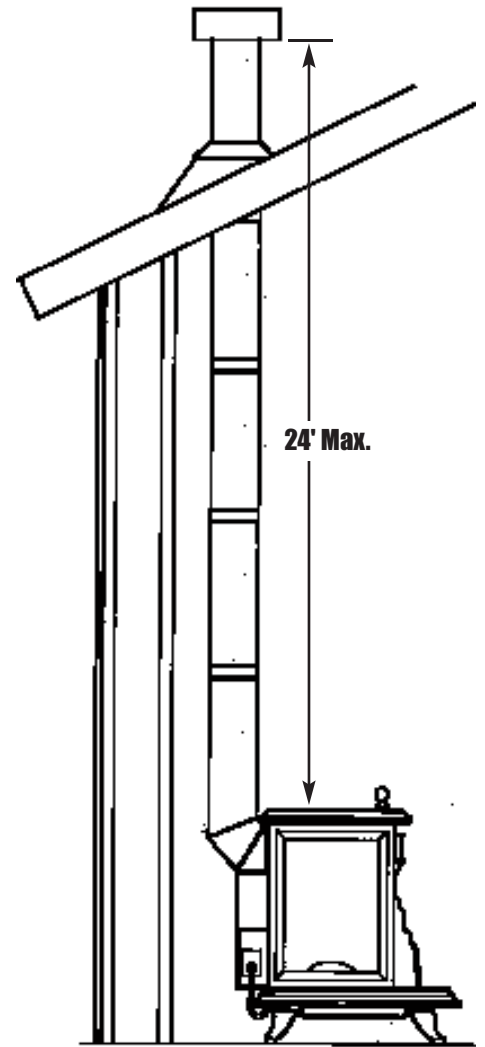


Illustration 6.3

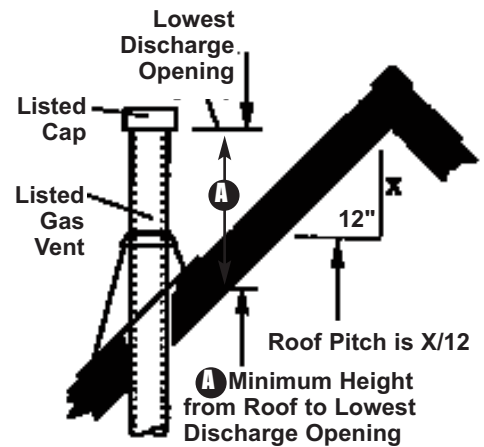


Illustration 6.4

D. Venting Into an Existing Fireplace and Chimney

You can vent your Franklin Gas Fireplace into an open fireplace by running two flexible ducts up the length of the chimney. One duct will carry the exhaust gases to the top of the chimney while the other duct brings fresh air into the stove for combustion. See illustration 6.5.

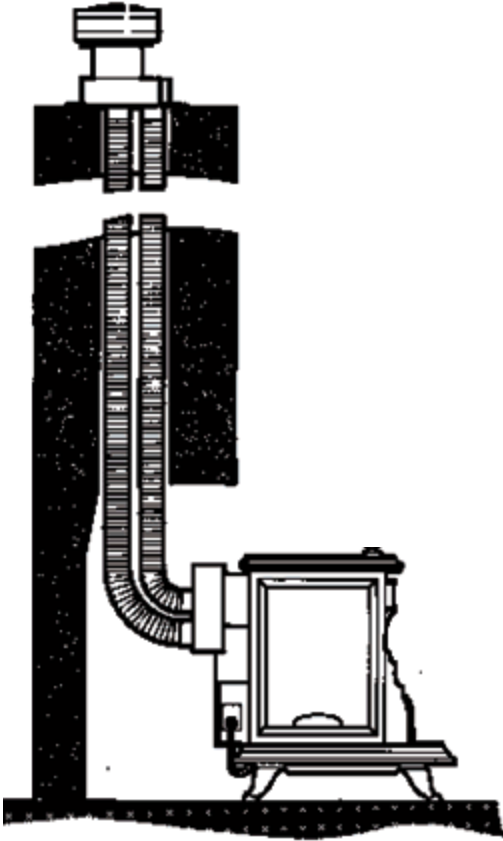


Illustration 6.5

MINIMUM AND MAXIMUM DISTANCES

- Maximum vertical rise (1 elbow)24'
Note: Each additional elbow reduces the maximum rise by 3 feet.
- Venting duct requirements are based on the factors below
- Up to 16' vertical.....3" exhaust,
.....3" combustion air
 - Over 16' vertical.....4" exhaust,
(Max 24 feet.).....3" combustion air

Refer to the Simpson Dura-Vent instructions regarding installation of your Direct-Vent system.



**ALL VENT CLEARANCES MUST BE MAINTAINED.
CHECK YOUR VENT CLEARANCES AGAINST THE
ILLUSTRATIONS ON PAGE 9.**

E. Venting Into an Existing Masonry or Prefabricated Metal Chimney (Vertical installation only).

You can vent your Franklin Gas Fireplace into an existing chimney by running a flexible duct up the length of the chimney. This 4" duct will carry the exhaust gases to the top of the chimney. The surrounding chimney area is utilized to bring fresh air into the stove for combustion.

Venting into a masonry chimney requires a conversion kit, 4" duct, and a cap. See illustration 6.7 on page 11. Venting into an existing prefabricated metal chimney requires a conversion kit specific to the brand of chimney installed, a 4" duct, and a cap. See illustration 6.6 for more detail.

Note: You cannot install a Conversion Kit in a through-the-wall type factory-built metal chimney.

MINIMUM AND MAXIMUM DISTANCES

- Maximum vertical rise (1 elbow).....24'
Note: Each additional elbow reduces the maximum rise by 3 feet.!
- Minimum chimney inside diameter6"
- RequiredExisting chimney must be lined

Note: Each additional elbow reduces the maximum rise by 3 feet.
Refer to the Simpson-Dura Vent instructions regarding installation of your Direct-Vent system.



ALL VENT CLEARANCES MUST BE MAINTAINED. CHECK YOUR VENT CLEARANCES AGAINST THE ILLUSTRATIONS ON PAGE 9.

MANUFACTURED HOUSING INSTALLATION

The Franklin Gas Fireplace may be installed in Manufactured Housing with the following supplemental requirements:

- (1) The appliance must be securely bolted to the floor with steel straps secured to the leg bolts and to the floor with minimum 1/4" lag bolts. Contact Woodstock Soapstone Company for steel straps.
- (2) The appliance must be grounded to the manufactured home trailer frame with a No. 8 (minimum) solid conductor.



WARNING! This unit must be installed by a qualified gas technician in accordance with local codes or in the absence of local codes, with the most current edition of the National Fuel Gas Code ANSI Z223.1/NFPA 54.

Note: A manufactured home (USA only) or mobile home OEM installation must conform with the Manufactured Home Construction and Safety Standard, Title 24 CFR, Part 3280, or, when such a standard is not applicable, the Standard for Manufactured Home Installations, ANSI/NCSBCS A225.1, or Standard for Gas Equipped Recreational Vehicles and Mobile Housing, CSA Z240.4

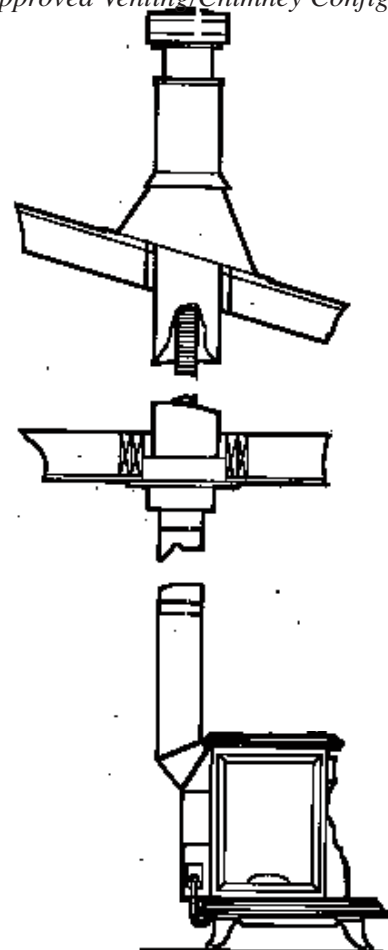


Illustration 6.6
Vertical installations only

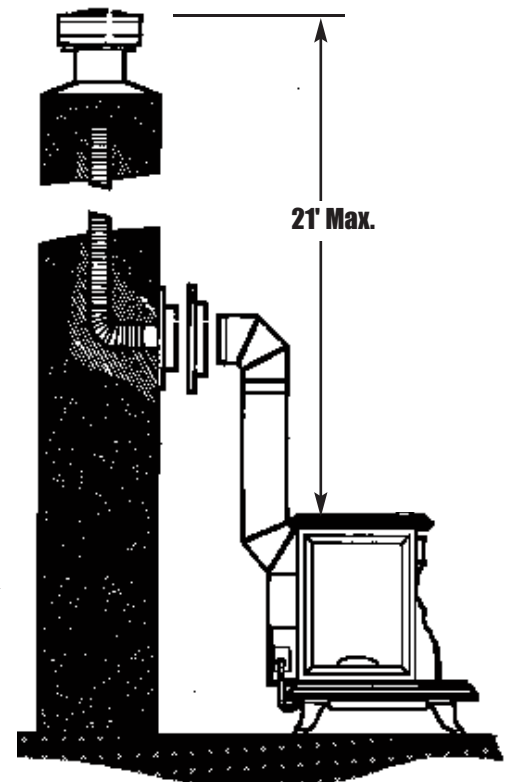


Illustration 6.7

7. APPROVED VENTING/CHIMNEY TERMINAL CLEARANCES

The Franklin Gas Fireplace is currently approved only for venting with the Simpson Dura-Vent components listed previously on pages 3 and 4. Install the vent system according to the manufacturers instructions, which are included with the components.

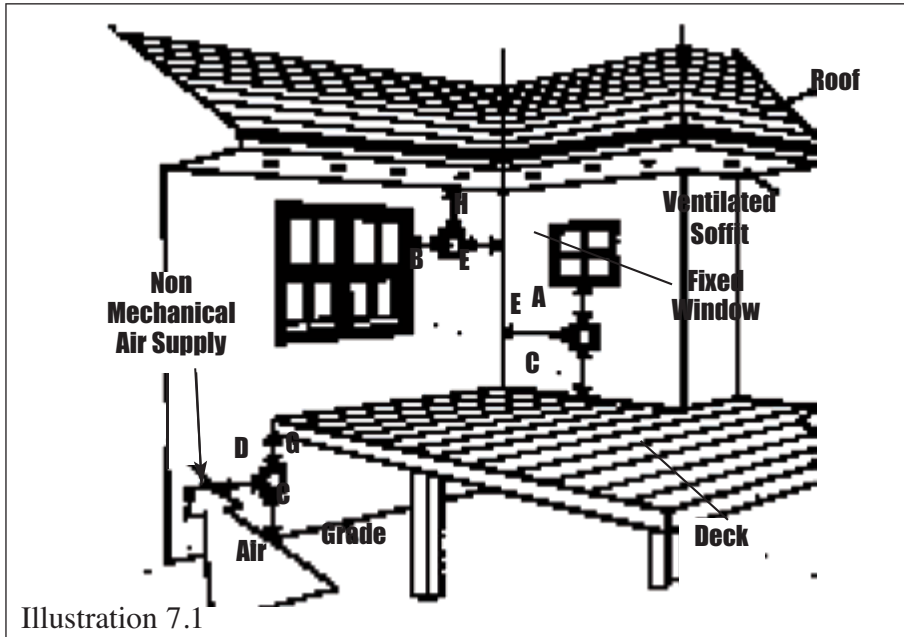


Illustration 7.1

- A. Clearance to a permanently closed window12"
- B. Clearance to a window or door that may be opened12"
- C. Clearance above grade. Also, clearance over deck, porch, veranda or balcony12"
- D. Clearance to non-mechanical air supply inlet or combustion air inlet of any other appliance12"
- E. Clearance to inside corner or adjacent wall.....12"
- F. Clearance to a non-ventilated soffit12"
- G. Clearance below deck, porch, veranda, or balcony if completely open on two sides18"
- H. Clearance to ventilated soffit located above the terminal within a vertical distance of 2 feet from the center of the terminal.....18"
- I. Clearance around a center line above service regulator .3 feet
- J. Clearance to vegetation..3 feet
- K. Clearance around a service regulator vent outlet6 feet
- L. Clearance to a mechanical air supply6 feet
- M. Clearance above a paved sidewalk or driveway on public property. May not terminate above a sidewalk or driveway which is between two single family dwellings and serves both dwellings7 feet

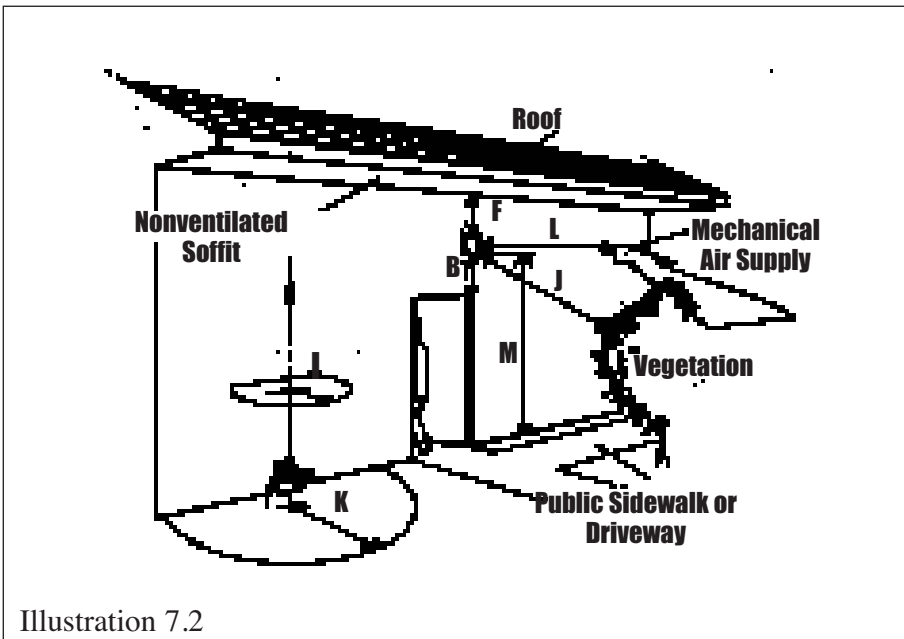


Illustration 7.2

8. UNPACKING THE FIREPLACE

Remove Packaging

1. There is a corrugated carton packed on the front skirt of the Fireplace. The corrugated box contains the ceramic logset. Remove the carton and set it aside.
2. Use a phillips screw driver to remove the eight screws that attach the four metal straps to the shipping pallet.
3. Lift the Fireplace straight up off the pallet by hand, being careful not to damage the controls and wiring that are under and at the back of the Fireplace. The Fireplace is heavy. You will need 3 people to lift it.
4. Using a 1/2" socket, remove the four metal straps from the bottom of the stove.

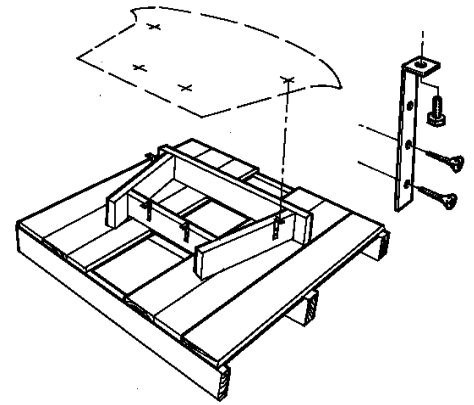


Illustration 8.1 There are four straps that hold the Fireplace to the pallet during transport. Before lifting the Fireplace off the pallet, you must detach the metal straps from the pallet. Remove the four screws using a phillips screw driver. There are two straps at the rear of the stove and one on each side.

Packing List

- A. Owners Manual
- B. Corrugated box containing:
 1. Log set (handle the log set with care; the ceramic logs are fragile)

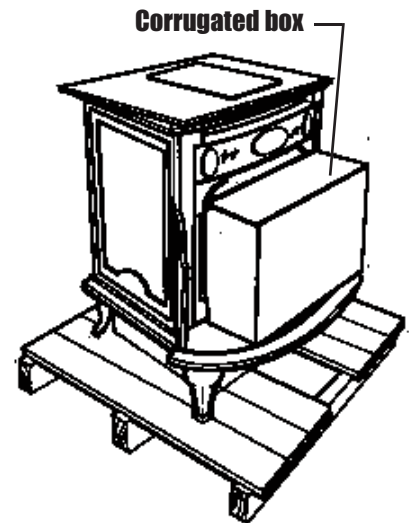


Illustration 8.2 Remove corrugated box .

9. PRE-INSTALLATION INSPECTION CHECKLIST FOR INSTALLER

1. Check that both intake and exhaust venting are clear of any debris or other obstruction at the back of the Fireplace.
2. Check that the gas manifold is connected to both the controller and the orifice at the back wall of the Fireplace (see illustration 9.1).
3. Remove the Front Casting (see illustration 9.1).
4. Remove the foam wedges used to keep the Pressure Relief Lids in place (see illustration 9.2).
5. Remove the Glass Front (see illustration 9.3).
6. Check that the Pressure relief Lids are both seated flat (see illustration 10.2)
7. Check that the thermopile connector, pilot gas tube, and thermocouple are properly connected to both the pilot

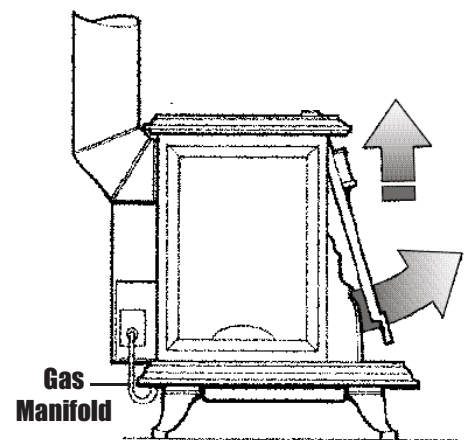


Illustration 9.1 To remove the front casting, lift straight up under the two sets of star decorations and then gently pull the bottom out.

YOU MUST REMOVE THESE TWO FOAM WEDGES PRIOR TO USING FIREPLACE!

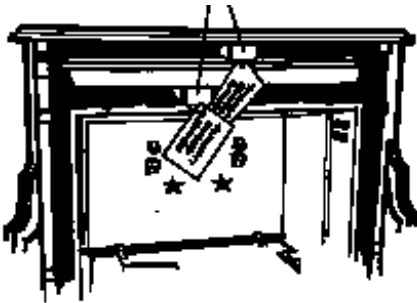


Illustration 9.2

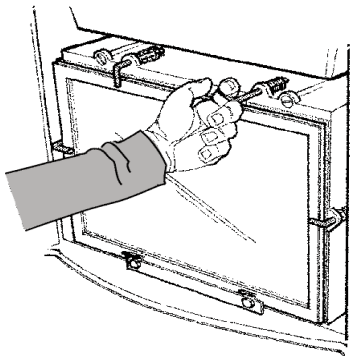


Illustration 9.3 The glass front is held in place by four spring-loaded clips. To release the clips, pull and twist.

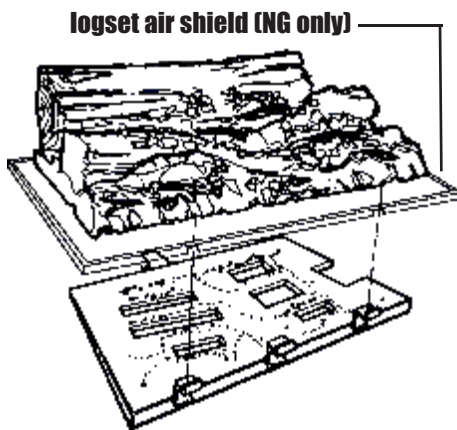


Illustration 10.1 Place the logset against the back wall of the firebox. Center the logset from side to side. The logset air shield is located between the ceramic logset and the burner on Natural Gas models only.

assembly and gas controller (see illustration 9.5).

- Check that the piezo wire is connected to the pilot assembly and igniter button (see illustration 9.5). Press the Red Ignition Button to test for spark in the Firebox near the pilot.

CAUTION: Sheet metal edges are sharp. Please handle carefully

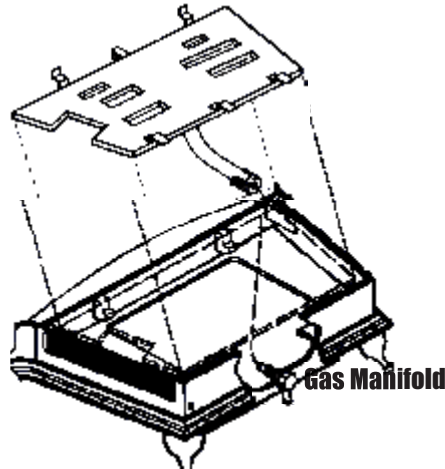


Illustration 9.4 The burner pan fits in the base of the Fireplace as illustrated. On Natural Gas models an air shield is installed over the burner.

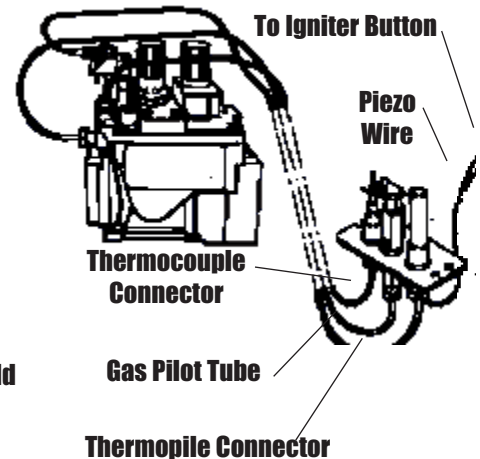


Illustration 9.5 These connections should be checked carefully.

10. ASSEMBLING THE FIREPLACE

Remove the front casting and glass front – see illustrations 9.1 and 9.3 for details. Place the Logset over the five positioning tabs on the Burner Pan. Push it as far back as it will go toward the rear of the Firebox.

If you own a Natural Gas Fireplace then your logset will sit on top of the Air Shield and not directly on the tabs. The air shield should sit flat on the (2) front tabs. The sides must be pushed down into position. Be sure that the sides of the air shield do not hang up on the inside walls of the firebox.

Make sure that the front edge of the Logset sits behind the two metal tabs on the front edge of the Burner Pan.

It is important that the rear of the logset be positioned against the rear of the firebox. Due to variance in size with each Logset the front edge of your Logset may not touch the upright section of the front tabs.

Ensure that the Logset is sitting flat on the rear tabs on the Burner Pan (Air Shield for NG owners) by gently pushing down on the rear of the logset and making sure it is not hung up on the sides of the Firebox.

2. REPLACE GLASS FRONT/FRONT CASTING

Replace glass front and front casting (see instructions on page 32). Push the top edge of the front casting up into position, swing the bottom in, and lower it into position.

3. INSTALLING OPTIONAL EQUIPMENT:

- a. Remote Sensor – see page 25-27 and Appendix B.
- b. Wall Thermostats – see page 28-29 and Appendix B.

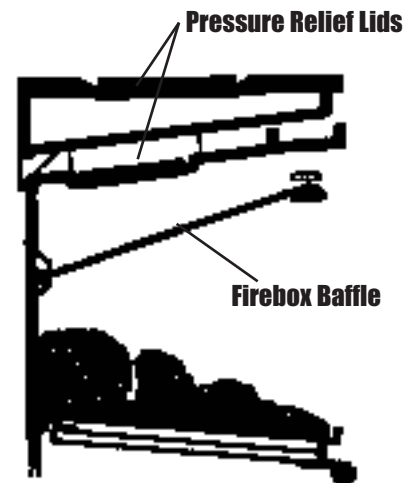


Illustration 10.2 *The pressure relief lids must be seated properly to ensure a good flame.*

11. CONNECTING THE GAS SUPPLY & TESTING THE FLAME

WARNING: This unit must be installed by a qualified gas technician in accordance with local codes or in the absence of local codes, with the most current edition of the National Fuel Gas Code ANSI Z223.1/NFPA 54.

1. CHECK THE GAS LINE PRESSURE BEFORE CONNECTING THE STOVE TO THE GAS LINE

The stove and its main gas valve must be disconnected from the gas supply piping system during any pressure testing of that system at test pressures in excess of 1/2 psi (3.5kPa/14"WC). If the gas line pressure is too high it will rupture the gas control valve on the Stove.

Isolate the stove from the gas supply piping system by closing the shut-off valve during any pressure testing of the gas supply piping system at test pressures in excess of 1/2 psi (3.5kPa/14"WC).

2. ATTACH GAS LINE TO THE CONTROL VALVE

The gas supply line is connected to the Fireplace gas control valve using a 3/8" male NPT fitting. If local codes permit it, we recommend using a flexible connector as that can alleviate mechanical load on the control valve. The gas supply line for either propane (LPG) or natural gas (NG) should be large enough to support (34,000 Btu). Consult local building codes to properly size the gas supply line.

3. TEST FOR LEAKS

Test for leaks using a sniffer, soapy water, or an approved leak testing spray. Check each joint or connection from the main supply valve to the Fireplace. Check the connections on the control valve as well as those in the Fireplace in case one loosened in shipment.

Again, never test with an open flame.

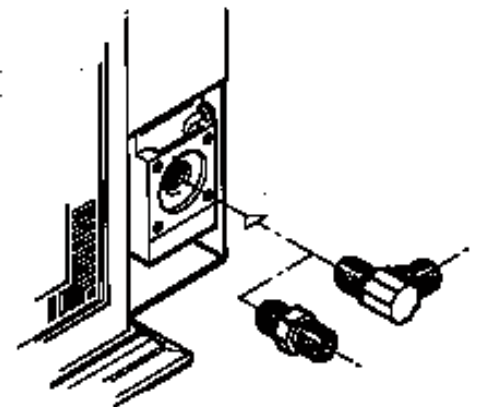


Illustration 11.1 *The 3/8" NPT fitting can be straight or elbowed.*

4. TEST PRESSURE THROUGH CONTROL VALVE

Test pressure to and through the control valve using a manometer on the test gauge taps on the control valve. The line must be tested as follows:

Propane (LPG or LP):

10.0" w.c.manifold pressure

11.0" w.c.minimum inlet supply for adjustment

Natural gas:

3.5" w.c.manifold pressure

5.0" w.c.minimum inlet supply for adjustment

5. LIGHT THE FIREPLACE, FOLLOWING LIGHTING DIRECTIONS ON PAGE 21-22. (FRONT GLASS AND FRONT CASTING MUST BE IN PLACE PRIOR TO LIGHTING)

6. The Air Shutter covers the end of the venturi opening at the base of the Burner Pan and controls the air/fuel mixture. The Shutter has been pre-set to provide an optimum yellow flame at sea level when the Logset is warmed up.

If you are operating a Natural Gas Fireplace at an elevation other than sea level, it may be necessary to adjust the position of the air shutter. Wait fifteen minutes after first lighting the Burner to see if the flame changes from mostly blue to bright yellow. If it remains blue then there is too much air getting into the mix. If the flame turns orange or smoky then there is too little air getting into the mix.

To adjust the amount of air:

Note: Allow Fireplace to cool before handling.

- a. Remove the Front casting (see illustration 9.1).
- b. Remove the Glass Front (see illustration 9.3)
- c. Carefully lift and remove the Logset.
- d. Remove the Glass Window Retainer by removing the two screws and then remove the single screw that attaches the Burner Pan to the Front casting (see illustration 11.3)
- e. Lift the Burner Pan off the front tabs of the Firebox and pull the Pan out carefully so that the orifice at the rear is not damaged. Natural Gas Fireplace owners should leave the Air shield attached to the Burner Pan and remove both as one piece. (see illustration 11.4).
- f. Adjust the Air Shutter by loosening the Screw (see illustration 11.5). Open the Shutter wider for more air or close it for less air. Tighten the screw.
- g. Now place the Burner Pan back into position by first inserting the Venturi Tube under the back edge of the Firebox. Center the Venturi Tube and push it back over the

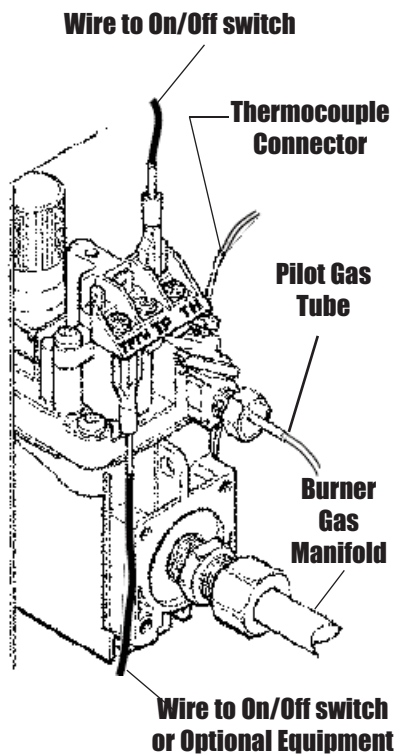


Illustration 11.2 This illustration shows connection at the control valve at the rear of the Fireplace.

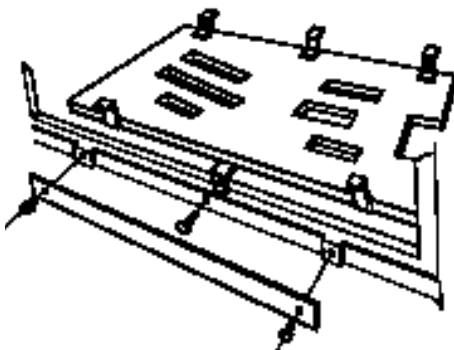


Illustration 11.3 The burner pan is attached as illustrated above.

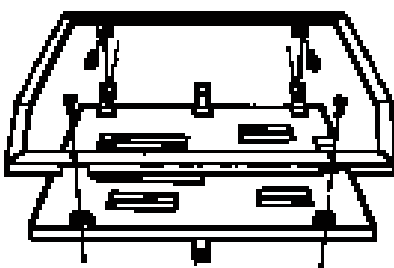


Illustration 11.4 Leave the air shield attached when removing the burner in natural gas units.

orifice slowly. When the Tube has been properly positioned it will make it possible to slowly lower the front edge of the Pan on to the two front tabs in the Firebox. Be very careful that the right side of the Burner Pan does not hit and damage the Pilot Assembly. Do not bolt it in place.

NOTE: If the Venturi Tube is not centered correctly over the orifice the Burner Pan will not seat at all. When the Burner Pan is seated properly, the Pan will rest flat on the the four Firebox tabs and the Pilot will be positioned so that the middle jet is just above the Burner Pan Surface.

- h. Replace the Logset, Glass Window Retainer, Glass Front, and Front Casting
- i. Light the Fire and see how it looks with the adjustment. Make adjustments until the optimum yellow flame has been achieved.
- j. Once the adjustment is complete, remove the Front Casting, the Glass window Retainer, and the Glass Front.
- k. Insert the 1" screw through the front of the casting and into the Burner Pan (see illustration 11.4).
- l. Replace the Glass Window Retainer, Glass Front and the Front Casting.

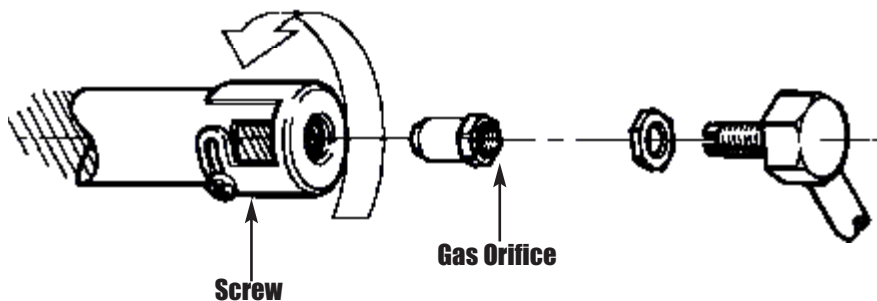
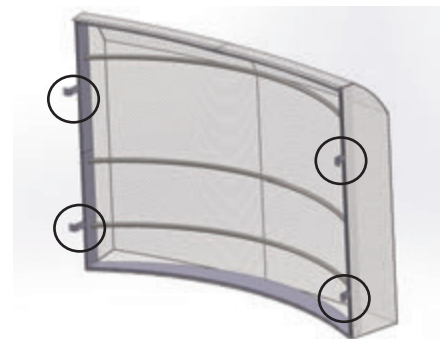


Illustration 11.5 *Installer: adjust the air shutter to modify fuel/air mixture.*

The Screen Barrier for the Glass Front

A screen barrier has been installed on the front of your Fireside Franklin Gas Stove to reduce the risk of burn from the hot viewing glass. It has been installed at the factory for the protection of children and other at-risk individuals. It should not be removed.

If the screen barrier becomes damaged, it shall be replaced with the barrier made by Woodstock Soapstone Company for the Fireside Franklin Gas Stove. The screen barrier is attached to the front casting, and should not be removed even to service the stove.



The screen barrier is held permanently in place with four clips located on the sides.

Installation and repair should be done by a qualified service person. The stove should be inspected before use and at least annually by a professional service person. More frequent cleaning might be required due to excessive lint from carpeting, bedding material, and so on. It is imperative that control compartments, burners, and circulating air passageways be kept clean.

Note: clothing or other flammable material should not be placed on or near the appliance. Do not attempt to dry mittens or gloves by placing them on the stove.