

# OWNER'S MANUAL

## Model 207 Cottage Franklin Gas Fireplace



CERTIFIED TO AMERICAN NATIONAL  
STANDARD Z21.88-2017, Vented Gas Fireplace  
AND APPLICABLE PORTIONS OF UL307b

This appliance may be installed in an aftermarket, permanently located, manufactured home (USA only) or mobile home, where not prohibited by local codes.

This appliance is only for use with the type of gas indicated on the rating plate. This appliance is not convertible for use with other gases, unless a certified kit is used.


**INSTALLER:** Leave this manual with the appliance.

**CONSUMER:** Retain this manual for future reference.

TESTED AND LISTED BY



**! DANGER!**



**HOT GLASS WILL CAUSE BURNS.**

**DO NOT TOUCH GLASS UNTIL COOLED.**

**NEVER ALLOW CHILDREN TO TOUCH GLASS.**

A barrier designed to reduce the risk of burns from the hot viewing glass is provided with this appliance and shall be installed for the protection of children and other at-risk individuals.

### **! WARNING!:**

#### **FIRE OR EXPLOSION HAZARD**

Failure to follow safety warnings exactly could result in serious injury, death, or property damage

- Do not store or use gasoline or other flammable vapors and liquids in the vicinity of this or any other appliance.
- WHAT TO DO IF YOU SMELL GAS
  - Do not try to light any appliance.
  - Do not touch any electrical switch; do not use any phone in your building.
  - Immediately call your gas supplier from a neighbor's phone. Follow the gas supplier's instructions.
  - If you cannot reach your gas supplier, call the fire department.
- Installation and service must be performed by a qualified installer, service agency or the gas supplier.



66 Airpark Road, West Lebanon, NH 03784  
email: [info@gasstove.com](mailto:info@gasstove.com)

Tel: 800-866-4344  
Fax: 603-298-5958

## SAFETY PRECAUTIONS

The installation of the Cottage Franklin Gas Fireplace must conform with local codes, or in the absence of local codes, with the National Fuel Gas Code, ANSI Z21.88-2017.

The Cottage Franklin Gas Stove must be vented with approved “direct-vent” pipe. Direct-Vent pipe has two concentric passageways which draw outside air in for combustion, and let exhaust gasses out.

Installation or replacement of gas piping, the gas Fireplace, and repair or servicing of equipment shall be performed only by a qualified agency. The term “qualified agency” means any individual, firm, corporation, or company that either in person or through a representative is engaged in and is responsible for (a) installation or replacement of gas piping or (b) the connection, installation, repair or servicing of gas utilization equipment, who is experienced in such work, familiar with all precautions required, and has complied with all the requirements of the authority having jurisdiction.

**Installation and repair should be done by a qualified service person. The appliance should be inspected before use and at least annually by a professional service person. More frequent cleaning may be required due to excessive lint from carpeting, bedding material, et cetera. It is imperative that control compartments, burners and circulating air passageways of the appliance be kept clean.**

The Cottage Franklin Gas Stove and its main gas supply valve must be disconnected from the gas supply piping system during any pressure testing of that system at test pressures in excess of 1/2 psi (3.5 kPa).

The Cottage Franklin Gas Stove must be isolated from the gas supply piping system by closing its equipment shutoff valve during any pressure testing of the gas supply piping system at test pressures equal to or less than 1/2 psi (3.5 kPa).

An inlet pressure test point is provided on the gas control valve, immediately upstream of the gas supply connection to the Fireplace. An outlet pressure test point is also provided.

The Cottage Franklin Gas Stove, when installed, must be electrically grounded in accordance with local codes or, in the absence of local codes, with the *National Electrical Code, ANSI/NFPA 70*.

- ❑ **This appliance is only for use with the type of gas indicated on the rating plate. This appliance may not be converted to use with other gasses unless a certified kit is used.**
  - ❑ **This appliance is designed to burn either natural gas or propane. Do not attempt to burn wood, trash, or any other material in this appliance.**
  - ❑ **This appliance may not be connected to a chimney serving a separate solid-fuel burning appliance.**
- 
- ❑ **Due to high temperatures, the appliance should be located out of traffic and away from furniture and draperies.**
  - ❑ **Children and adults should be alerted to the hazards of high surface temperature and should stay away to avoid burns or clothing ignition.**
  - ❑ **Young children should be carefully supervised when they are in the same room as the appliance. Toddlers, young children, and others may be susceptible to accidental contact burns. A physical barrier is recommended if there are at-risk individuals in the house. To restrict access to a fireplace or stove, install an adjustable safety gate to keep toddlers, young children, and other at-risk individuals out of the room and away from hot surfaces.**
  - ❑ **A barrier designed to reduce the risk of burns from the hot viewing glass is provided with this appliance and shall be installed for the protection of children and other individuals at risk.**
  - ❑ **Clothing or other flammable material should not be placed on or near the appliance.**
  - ❑ **The appliance area must be kept clear and free from combustible materials, gasoline, and other flammable vapors and liquids.**
  - ❑ **WARNING: Do not operate appliance with the glass front removed, cracked or broken. Replacement of the glass should be done by a licensed or qualified service person.**
  - ❑ **The flow of combustion and ventilation air must not be obstructed.**
- 
- ❑ **Any safety screen or guard removed for servicing an appliance should be replaced prior to operating the appliance.**
  - ❑ **Do not use this appliance if any part has been under water. Immediately call a qualified service technician to inspect the appliance and to replace any part of the control system and gas control which has been under water.**
  - ❑ **CAUTION: Label all wires prior to disconnection when servicing controls. Wiring errors can cause improper and dangerous operation.**
  - ❑ **Verify proper operation after servicing.**

**TO THE INSTALLING TECHNICIAN:**

First, thank you from all of us at Woodstock Soapstone Co. for installing this Franklin Fireplace for one of our customers. If you have any questions about installation, please call us at 800-866-4344. Technical Support will be available from 9:00AM to 5:00PM ET, Monday through Friday and 9:00-12:00 ET on Saturday. At any other time, you may leave a message with our answering service with your phone number and the best time to call, and we will return your call during the next business day.

Please also take the time to go through the Warranty Checklist with the owner. This will validate the warranty, assure us and the owner that the installation was performed to local and national codes, and help familiarize the owner with the safe operation of this gas Fireplace.

Installation must conform to these instructions and local codes or, in the absence of local codes, with the current National Fuel Gas Code ANSI Z21.88-2017/NFPA 54.

We at Woodstock Soapstone Company are proud to manufacture top quality hearth products. When you install this Fireplace, we ask that you maintain our tradition of conscientious effort to make our customers happy with our product and service.

Sincerely,

The Technical Support Staff  
Woodstock Soapstone Co., Inc.

**QUESTIONS:**

**800-866-4344**

**9:00 AM to 5:00 PM (ET)**

**Monday –Friday**

**9:00 AM to 12:00 PM (ET)**

**Saturday**

**WARNING: This unit must be installed by a qualified gas technician in accordance with local codes or in the absence of local codes, with the most current edition of the National Fuel Gas Code ANSI Z21.88-2017.**

**TABLE OF CONTENTS**

Section	Page	Section	Page
1) Code Approvals.....	2	13) Troubleshooting - Installer only.....	17
2) Specifications .....	2	14) Operating your Gas Fireplace.....	18
3) Tools Needed to Install the Fireplace.....	3	15) Lighting Instructions .....	19
4) Approved Venting/Chimney Materials .....	3	16) Safety Instructions .....	22
5) Approved Clearances for Inside Locations.....	4	17) Remote Control .....	23
6) Approved Venting/Chimney Configurations .....	6	18) Lighting the Fire for Remote Control Owners.....	25
7) Approved Venting/Chimney Terminal Clearances .	12	19) Routine Maintenance .....	26
8) Unpacking the Cottage Franklin Gas Fireplace.....	13	20) Annual Inspection .....	27
9) Pre-Installation Inspection Checklist .....	13	21) Warranty .....	28
10) Assembling the Cottage Franklin Gas Fireplace ....	14	22) Troubleshooting - Owner .....	29
11) Connecting the Gas Supply/Testing the Flame.....	15	Appendix A - Parts List.....	35
12) Testing Check List & Warranty Registration.....	Insert	Appendix B - Remote Control Installation .....	36

NOTE: Diagrams include optional 90° elbow.

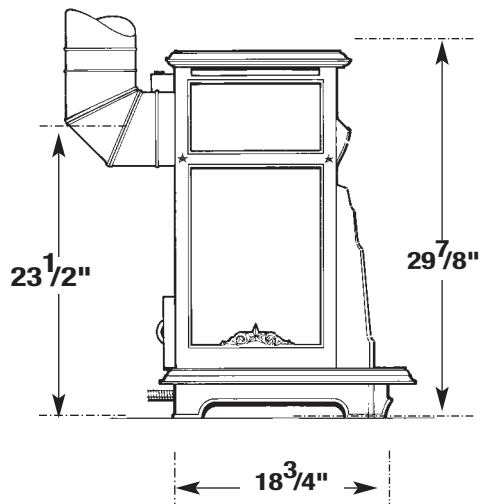


Illustration 2.1 Side View.

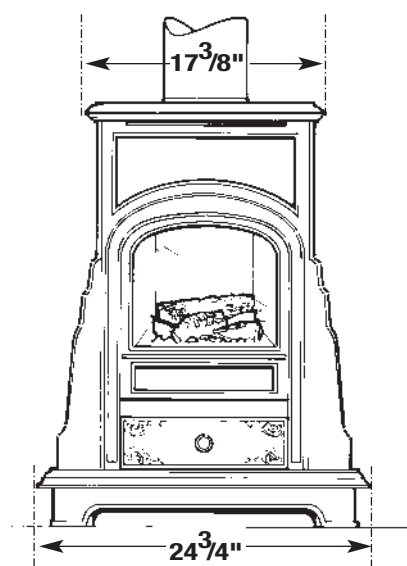


Illustration 2.2 Front View.

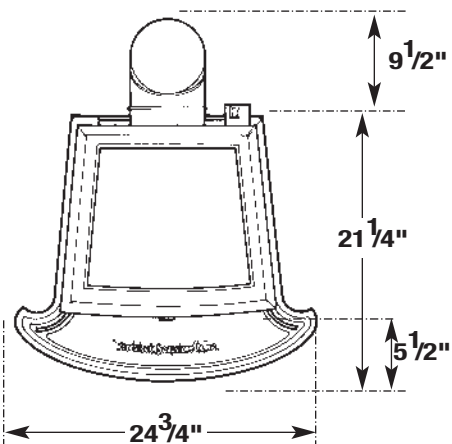


Illustration 2.3 Top View.

## 1. CODE APPROVALS • Direct Vent • Natural Gas • LPG

The Woodstock Cottage Franklin Gas Stove is listed as a direct vent appliance. This type of appliance draws all of its air for combustion from outside of the dwelling through specially designed pipe. It can be used with natural gas or LPG (liquid propane gas).

Tested to: American National Standard (ANSI) Z21.88-2017

## 2. SPECIFICATIONS

For The Woodstock Cottage Franklin Gas Stove:

Fuel .....Liquefied Petroleum Gas (LPG)  
 .....Natural Gas (NG)

Manifold Pressure, LPG .....10.5" w.c.  
 Manifold Pressure, NG .....3.5" w.c.

Minimum inlet supply pressure for input adjustment LPG .....11.0" w.c.

Minimum inlet supply pressure for input adjustment NG .....4.0" w.c.

Maximum inlet supply pressure LPG .....14.0" w.c.

Maximum inlet supply pressure NG .....14.0" w.c.

Input, Btu/Hr (0 – 2,000 ft.)	LPG	Max. ....	22,988
		Min. ....	18,297
	NG	Max. ....	22,552
		Min. ....	18,691

Output, Btu/Hr	LPG	Max. ....	17,562
		Min. ....	13,906
	NG	Max. ....	16,515
		Min. ....	13,644

Orifice size, LPG  
 Sea level to 5000' .....#54  
 5001' or more .....#55

Orifice size: NG  
 Sea level to 5000' .....#43  
 5001' to 7000' .....#44  
 7001' or more .....#45

AFUE: (Annual Fuel Utilization Efficiency)LPG .....(76% minimum)

AFUE: (Annual Fuel Utilization Efficiency)NG .....(73% minimum)

Glass Panel .....High temperature ceramic glass

Weight, Fireplace only .....260 lbs.  
 shipping .....350 lbs.

Ignition .....Standing pilot with Piezo ignition

Hearth: The hearth immediately under the Stove should be constructed of non-combustible material - ceramic tile (not vinyl), stone, or metal. Protect carpet or any combustible surface with a hearth that covers an area equal to the full width and depth of the Stove (24<sup>3</sup>/<sub>4</sub>" x 21<sup>1</sup>/<sub>4</sub>") or greater.

A hearth pad of size 36x36 inch is recommended

**Clearance to combustible materials**

Front of Firebox .....	36"
Sides of Stove.....	8"
Rear of Stove .....	11"
Rear Corners of Stove .....	4.5"
Rear of 90 Degree Elbow .....	2"

**3. TOOLS NEEDED TO INSTALL THE FIREPLACE**

- Multi-meter ( millivolt )
- Strap Wrench for Pipe Installation
- Manometer
- Gas Sniffer
- Window Clip Tool
- 7/16" Socket or Wrench
- Glass Cleaner and Towels
- Flashlight
- Drill/Driver to install screws in first section of vent pipe
- 5/32" Allen Wrench\*

\* To install and adjust leveling screws in stove base

**4. APPROVED VENTING/CHIMNEY MATERIALS**

The venting/chimney system for your Franklin Gas Stove must be constructed of Simpson Dura-Vent 4" x 6<sup>5</sup>/<sub>8</sub>" direct vent gas pipe. All approved direct vent components bring fresh air into the Stove and vent exhaust gasses at the same time (see illustration 4.1).

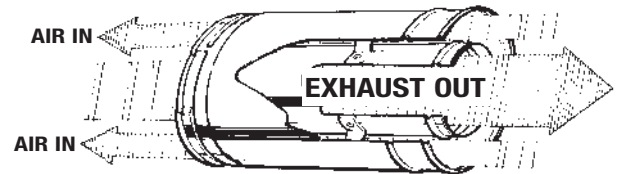


Illustration 4.1 Direct-vent pipe sends exhaust out and brings air in at the same time.

Approved venting materials are available from Simpson Dura-Vent Dealers or direct from Woodstock Soapstone Company. Approved components are listed below.

Description	Dura-Vent No.	
	Galvanized	Black
<i>Standard Direct Vent Kit consists of:</i>		
2 6 <sup>5</sup> / <sub>8</sub> " x 2' Straight Pipe <u>OR</u>	46DVA-24	46DVA-24B
1 6 <sup>5</sup> / <sub>8</sub> " x 6" Straight Pipe	46DVA-06	46DVA-06B
1 8 <sup>1</sup> / <sub>2</sub> " Pipe Extension	46DVA-08A	46DVA-08AB
2 6 <sup>5</sup> / <sub>8</sub> " x 90 Degree Elbow	46DVA-E90	46DVA-E90B
1 6 <sup>5</sup> / <sub>8</sub> " Wall Thimble	46DVA-WT	*
1 6 <sup>5</sup> / <sub>8</sub> " Wall Thimble Cover		46DVA-DC
1 6 <sup>5</sup> / <sub>8</sub> " Sq. Horizontal Termination	46DVA-HC	*

\* Galvanized Only

*Other Available Pipe:*

Description	Galvanized	Black
6 <sup>5</sup> / <sub>8</sub> " x 6" Straight Pipe	46DVA-06	46DVA-06B

**THIS APPLIANCE  
MUST NOT BE  
CONNECTED TO A  
CHIMNEY SERVING A  
SEPARATE SOLID  
FUEL BURNING  
APPLIANCE**

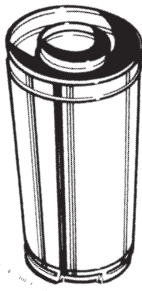


Illustration 4.2 All approved Simpson Dura-Vent Pipe has an inside passage to vent exhaust gasses, and an outside passage used to bring in fresh air for combustion.

6 <sup>5</sup> / <sub>8</sub> " x 9" Straight Pipe	46DVA-09	46DVA-09B
6 <sup>5</sup> / <sub>8</sub> " x 12" Straight Pipe	46DVA-12	46DVA-12B
6 <sup>5</sup> / <sub>8</sub> " x 18" Straight Pipe	46DVA-18	46DVA-18B
6 <sup>5</sup> / <sub>8</sub> " x 24" Straight Pipe	46DVA-24	46DVA-24B
6 <sup>5</sup> / <sub>8</sub> " x 36" Straight Pipe	46DVA-36	46DVA-36B
6 <sup>5</sup> / <sub>8</sub> " x 48" Straight Pipe	46DVA-48	46DVA-48B
6 <sup>5</sup> / <sub>8</sub> " x 8.5" Pipe Ext.(3-7")	46DVA-08A	46DVA-08AB
6 <sup>5</sup> / <sub>8</sub> " x 16" Pipe Ext. (3-14.5")	46DVA-16A	46DVA-16AB
6 <sup>5</sup> / <sub>8</sub> " x 45 Degree Elbow	46DVA-E45	46DVA-E45B
6 <sup>5</sup> / <sub>8</sub> " x 90 Degree Elbow	46DVA-E90	46DVA-E90B
6 <sup>5</sup> / <sub>8</sub> " x 30 Degree Adj. Elbow	46DVA-E30	*
6 <sup>5</sup> / <sub>8</sub> " x 60 Degree Adj. Elbow	46DVA-E60	*
Sq. Horizontal Termination Cap	46DVA-HC	*
48" Snorkel Termination Cap	FF/CF-SNK	*
Vinyl Siding Standoff	46DVA-VSS	*
6 <sup>5</sup> / <sub>8</sub> " Wall Thimble	46DVA-WT	*
Wall Thimble Cover		46DVA-DC
Cathedral Ceiling Support Box		46DVA-CS
Restrictor Disc (top vent)	46DVA-RD	*
Storm Collar	46DVA-SC	*
Adj Roof Flashing (0/12-6/12 pitch)	46DVA-F6	*
Adj Roof Flashing (7/12-12/12 steep pitch)	46DVA-F12	*
High Wind Vertical Termination Cap	46DVA-VCH	*
Extended Vertical Termination Cap	46DVA-VCE	*
3" x 35' Flex Extension	2280	*
4" x 35' Flex Extension	2281	*
Masonry Chimney Conversion Kit	46DVA-KMC	
Chimney Conversion Kit A	46DVA-KCA	
Chimney Conversion Kit B	46DVA-KCB	
Chimney Conversion Kit C	46DVA-KCC	

\* Galvanized Only

## 5. APPROVED CLEARANCES FOR INSIDE LOCATIONS

**WARNING:** Due to high temperatures, the Cottage Franklin Gas Stove should be placed out of traffic and away from furniture, draperies and other combustibles.

The Cottage Franklin Gas Stove is approved for venting in five configurations:

- (1) Up vertically and then elbow through an outside wall with a maximum horizontal run of 4'.
- (2) Straight out the back through an outside wall and into a snorkel termination cap (maximum 4' horizontal run, with 1/4" rise per foot of run).
- (3) Up vertically through the roof, with maximum rise of 24'.
- (4) Into an existing fireplace and chimney (maximum height of 24').
- (5) Into an existing masonry or prefabricated metal chimney (maximum height of 24').

**NOTE:** Details for these five configurations start on page 6. Each installation is unique. Please call a customer service representative for assistance at 1-800-866-4344.

### CLEARANCES TO COMBUSTIBLE MATERIALS

Front of Firebox .....	36"
Sides of Stove .....	8"
Rear of Fireplace .....	11"
Rear Corners .....	4.5"
Rear of 90 Degree Elbow ..	2"

**WARNING: This unit must be installed by a qualified gas technician in accordance with local codes or in the absence of local codes, with the most current edition of the National Fuel Gas Code ANSI Z21.88-2017**

Clearances inside the house for these three basic installations are indicated in the illustrations which follow.

The surface of the Cottage Franklin Gas Stove is hot when the appliance is in use. A safe installation requires that there be adequate clearances between the Cottage Franklin Gas Stove and nearby combustible materials, so that the combustible materials are not overheated. The diagrams that follow show minimum clearances between the Stove, Exhaust Pipe and nearby combustible materials.

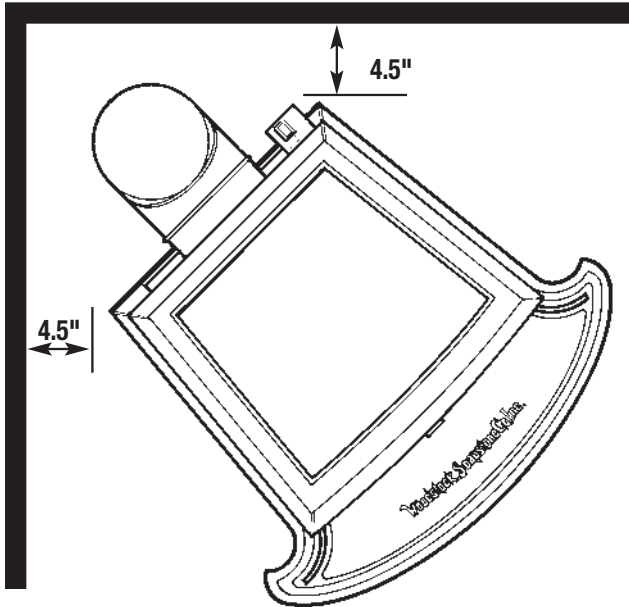


Illustration 5.1 Minimum Clearances: Corner Installation

● **Corner Installation**

**Minimum Clearances**

- Min. Clearance from corners to both side walls .....4.5"
- Pipe to wall (Vertical Vent).....2"

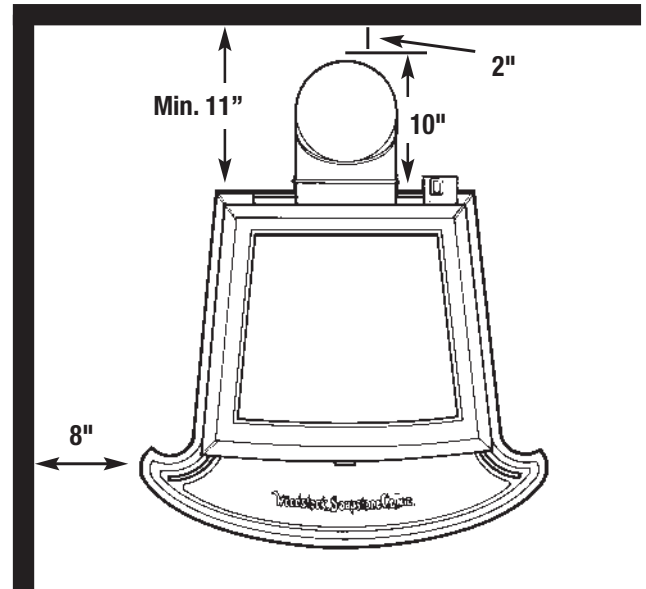


Illustration 5.2 Minimum Clearances: Parallel Installation

● **Parallel Installation**

**Minimum Clearances**

- Min. Clearance from back of pipe to wall.....2"
- Min. Clearance from Fireplace to side wall (Vertical vent).....8"
- Min. clearance from back of stove to wall (Straight vent).....11"

● **Alcove Installation**

The Cottage Franklin Gas Stove is approved for installation in an alcove constructed of combustible materials.

**Minimum Clearances for Alcove Installation**

- Min. Clearance from back of pipe to wall (Vertical Vent).....2"
- Min. Clearance from Fireplace to side walls .....8"
- Min. clearance from back of stove to wall (Straight vent)...11"

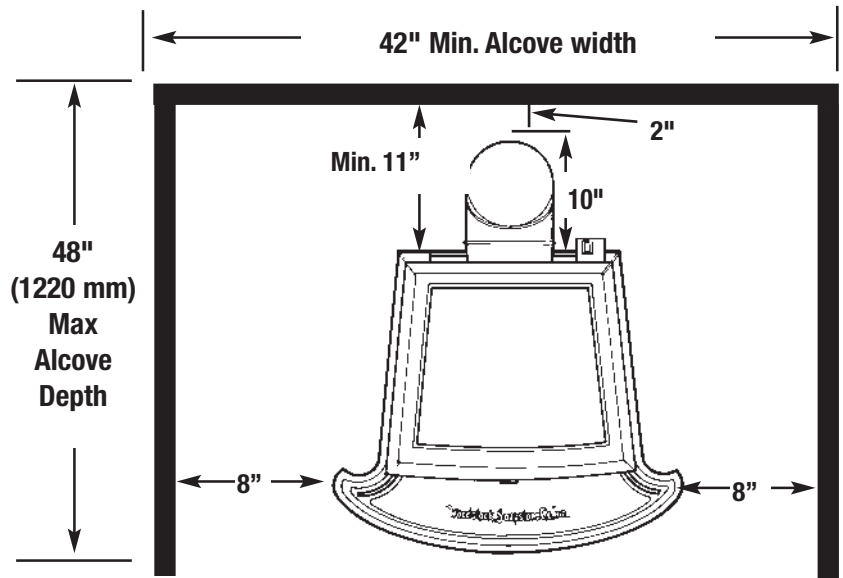
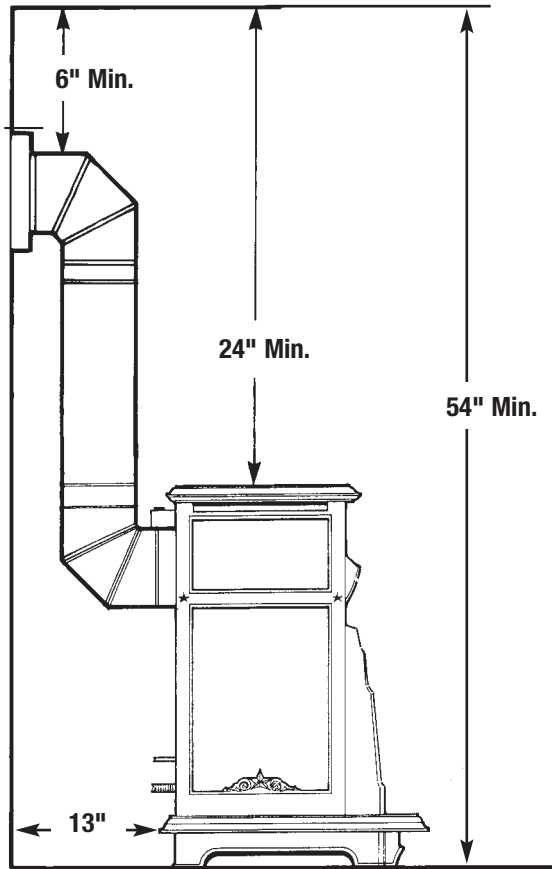


Illustration 5.3 Minimum Clearances: Alcove Installation

**Combustible Ceiling in Alcove Installation**



**Minimum Clearances to Ceilings in Alcove Installation**  
 Min. Clearance from top of pipe to ceiling/mantle .....6"

Illustration 5.4 Minimum Clearances to Ceiling in Alcove Installation

**6. APPROVED VENTING/CHIMNEY CONFIGURATIONS**

**CLEARANCES FOR VENT TERMINAL**

Clearances for vent terminal locations are indicated in the diagram and chart on page 12.

Refer to the manufacturers instructions regarding installation of your venting system through walls or ceilings. Use only Simpson Dura-Vent Direct-Vent Pro Flue Systems.

The Cottage Franklin Gas Stove is designed to be installed in the following configurations:

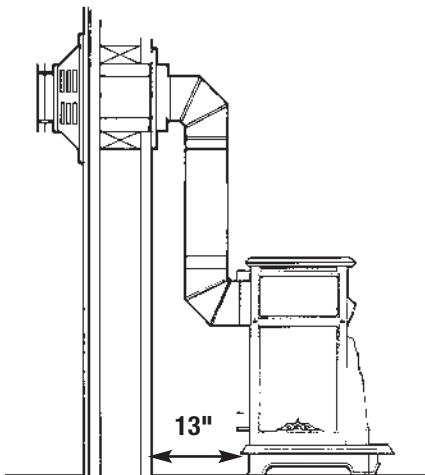


Illustration 6.1  
*Side wall venting configuration. (Available as standard vent kit) 13" is the minimum distance rear of the stove can be from wall when using two 90 deg. elbows as above.*



**A. Side Wall Venting**

In this venting configuration, the pipe rises directly from the back of the Stove. The exhaust travels up, through two elbows, and out through a side wall. See illustration on previous page.

<b>MINIMUM AND MAXIMUM DISTANCES</b>	
• Maximum rise .....	16 feet
• Maximum recommended run .....	4 feet
• Maximum linear distance .....	20 feet
Note 1. For distance added to horizontal run, an equal distance must be subtracted from vertical rise. Horizontal run must not exceed 8'.	
Note 2. Each 90 deg. elbow reduces the maximum lineal distance by 3'. Each additional 45 deg. elbow reduces it by 1.5'	
• Wall Opening:	
Masonry wall.....	7" opening
Non-masonry wall.....	framed to 10" x 10"

Refer to Simpson Dura-Vent instruction regarding installation of your Direct-Vent System.

Please note the following considerations for the location of the vent terminal:

1. The horizontal run must rise a minimum of 1/4" per foot of run toward the vent termination.
2. The termination must not be recessed into the the exterior wall or siding.
3. Clearances must be maintained around the vent termination . See illustrations on page 12.
4. Vinyl Siding requires protection from vented heat above the termination. Use Simpson Dura-vent Vinyl Siding Heat Shield Kit, part #46DVA-VSS.



**ALL VENT CLEARANCES MUST BE MAINTAINED.  
CHECK YOUR VENT CLEARANCES AGAINST THE  
ILLUSTRATIONS ON PAGE 12.**

The venting should be located so that people cannot be burned by accidentally touching hot vent surfaces while the Stove is in operation.

The vent termination must be placed so that it cannot be damaged by automobile doors, lawnmowers or yard equipment, or falling ice and snow.

**B. Side Wall Venting (straight back through wall)**

In this venting configuration, the pipe runs directly out the back of the Stove, through an outside wall and then up with a snorkel termination cap. See illustration at left.

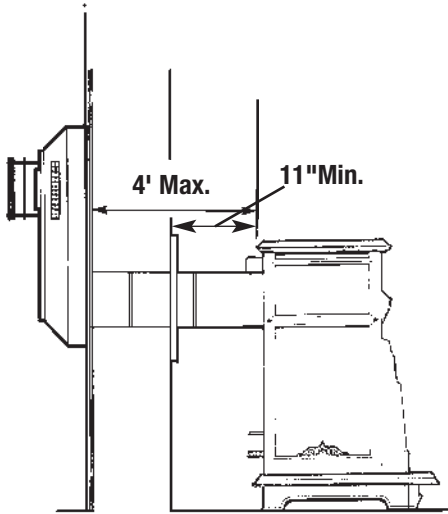


Illustration 6.2

*If stove is vented straight back, Snorkel attachment is required.*

**MINIMUM AND MAXIMUM DISTANCES**

- Maximum run.....4 feet  
Note: Use of 45 deg. elbow reduces the max run to 2.5 feet
- Minimum rise .....2 feet
- Minimum Distance between the inside wall and the back of Fireplace .....11"
- Wall Opening:  
Masonry wall .....7" opening  
Non-masonry wall.....framed to 10" x 10"

Refer to the Simpson Dura-Vent instructions regarding installation of your Direct-Vent system.

Please note the following considerations for the location of the vent terminal:

1. The horizontal run must rise a minimum of 1/4" per foot of run toward the vent termination.
2. Clearances must be maintained around the vent termination . See illustrations on page 12.
3. The termination must not be recessed into the the exterior wall or siding.
4. Vinyl Siding requires protection from vented heat above the termination. Use Simpson Dura-vent Vinyl Siding Heat Shield Kit, part #46DVA-VSS.



**ALL VENT CLEARANCES MUST BE MAINTAINED.  
CHECK YOUR VENT CLEARANCES AGAINST THE  
ILLUSTRATIONS ON PAGE 12.**

The venting should be located so that people cannot be burned by accidentally touching hot vent surfaces while the Stove is in operation.

The vent termination must be placed so that it cannot be damaged by automobile doors, lawnmowers or yard equipment, or falling ice and snow.

**C. Vertical Venting (straight up through roof)**

In this venting configuration, the pipe rises directly from Stove and goes up through the roof, terminating above the roof. See illustration 6.3.

**MINIMUM AND MAXIMUM DISTANCES**

- Maximum vertical rise .....24'\*

Height of termination above roof must conform to chart below

Roof Pitch	A Minimum height from roof to lowest discharge opening
Flat to 6/12	1.0 feet
6/12 to 8/12	2.0 feet
8/12 to 10/12	3.0 feet
10/12 to 12/12	4.0 feet

\*Max rise is 24' without additional elbows  
 Each 90 deg. elbow reduces the maximum lineal distance by 3'. Each additional 45 deg. elbow reduces it by 1.5'

Refer to the Simpson-Dura Vent instructions regarding installation of your Direct-Vent system.

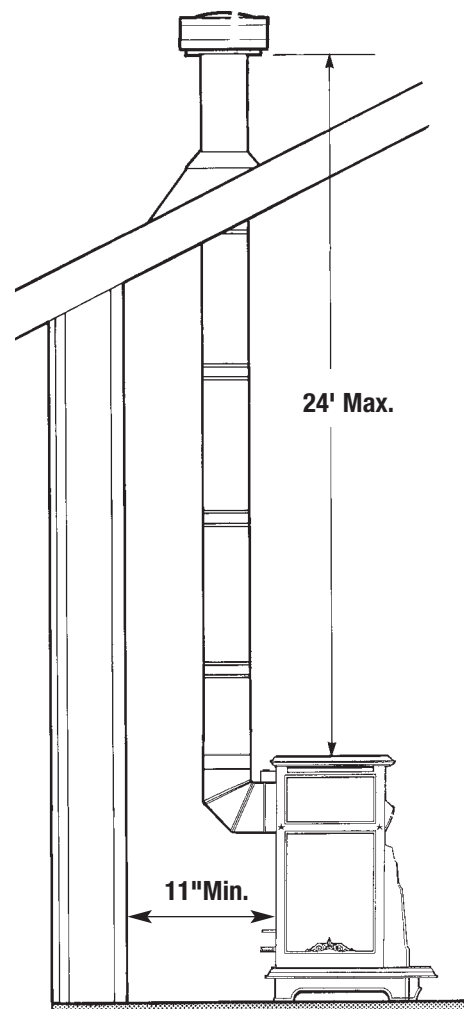


Illustration 6.3  
 Vertical venting configuration.  
 (Max height 24')



**ALL VENT CLEARANCES MUST BE MAINTAINED.  
 CHECK YOUR VENT CLEARANCES AGAINST THE  
 ILLUSTRATIONS ON PAGE 12.**

The Cottage Franklin Gas Stove is currently approved only for venting with the components listed previously on pages 3 and 4. Install the vent system according to the manufacturers instructions, which are included with the components.

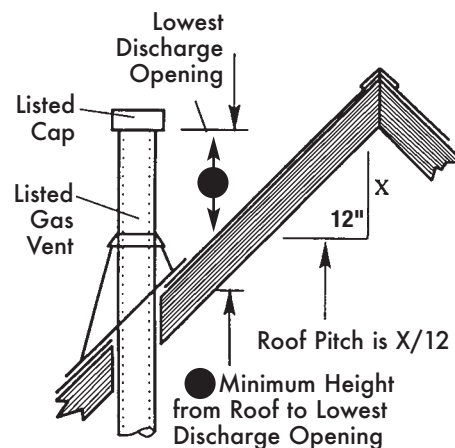


Illustration 6.4

### D. Venting Into an Existing Fireplace and Chimney

You can vent your Cottage Franklin Gas Stove into an open fireplace by running two flexible ducts up the length of the chimney. One duct will carry the exhaust gases to the top of the chimney while the other duct brings fresh air into the stove for combustion. See illustration 6.4.

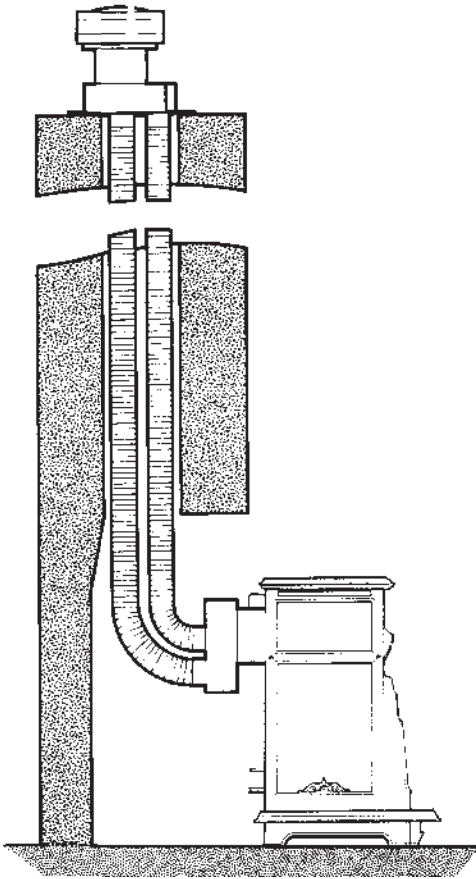


Illustration 6.4 Venting into fireplace and up into existing chimney using co-linear ducts.

#### MINIMUM AND MAXIMUM DISTANCES

- Maximum vertical rise.....24 feet\*
- Venting duct requirements are based on the factors below
- Up to 16' vertical.....3" exhaust,  
.....3" combustion air
  - Up to 24' vertical.....3" exhaust,  
.....4" combustion air
- \*Each 90 deg. elbow reduces the maximum lineal distance by 3'. Each additional 45 deg. elbow reduces it by 1.5'

Refer to the Simpson Dura-Vent instructions regarding installation of your Direct-Vent system.



**ALL VENT CLEARANCES MUST BE MAINTAINED.  
CHECK YOUR VENT CLEARANCES AGAINST THE  
ILLUSTRATIONS ON PAGE 12.**

### E. Venting Into an Existing Masonry or Prefabricated Metal Chimney

You can vent your Cottage Franklin Gas Stove into an existing chimney by running a flexible duct up the length of the chimney. This 4" duct will carry the exhaust gases to the top of the chimney. The surrounding chimney area is utilized to bring fresh air into the stove for combustion.

Venting into a masonry chimney requires a conversion kit, 4" duct, and a cap. See illustration 6.6 on page 11. Venting into an existing prefabricated metal chimney requires a conversion kit specific to the brand of chimney installed, a 4" duct, and a cap. See illustration 6.5 for more detail.

**MINIMUM AND MAXIMUM DISTANCES**

- Maximum vertical rise .....24'\*
- Minimum chimney inside diameter .....6"
- Required .....Existing chimney must be lined

\*Max rise is 24' without additional elbows.  
 Each 90 deg. elbow reduces the maximum lineal distance by 3'. Each additional 45 deg. elbow reduces it by 1.5'

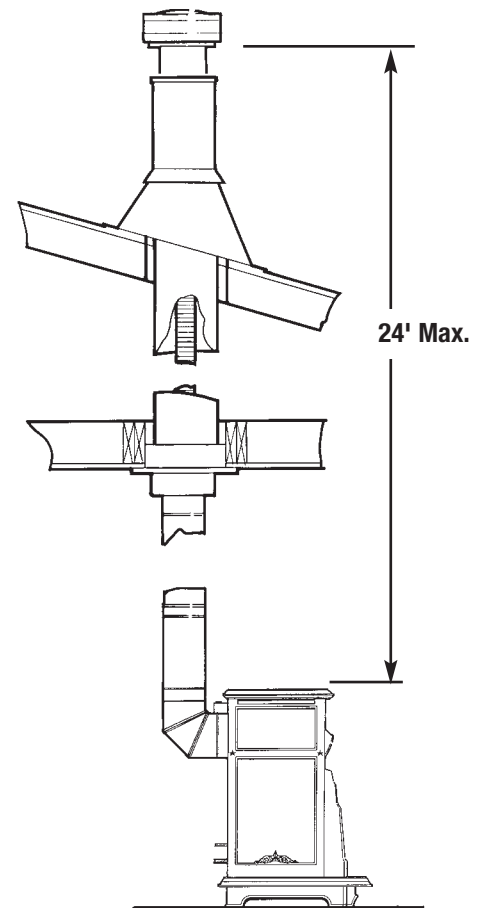


Fig. 6.5 Venting into existing metal chimney using 4" exhaust duct and conversion kit.

Refer to the Simpson-Dura Vent instructions regarding installation of your Direct-Vent system.



**ALL VENT CLEARANCES MUST BE MAINTAINED.  
 CHECK YOUR VENT CLEARANCES AGAINST THE  
 ILLUSTRATIONS ON PAGE 12.**

**MANUFACTURED HOUSING INSTALLATION**

The Cottage Franklin Gas Stove may be installed in Manufactured Housing with the following supplemental requirements:

- (1) The appliance must be securely bolted to the floor with steel straps secured to the leg bolts and to the floor with minimum 1/4" lag bolts. Contact Woodstock Soapstone Company for steel straps.
- (2) The appliance must be grounded to the manufactured home trailer frame with a No. 8 (minimum) solid conductor.

The Cottage Franklin Gas Stove is currently approved only for venting with the components listed previously on pages 3 and 4. Install the vent system according to the manufacturers instructions, which are included with the components.

**Note: A manufactured home(USA only) or mobile home OEM installation must conform with the Manufactured Home Construction and Safety Standard, Title 24 CFR, Part 3280, or, when such a standard is not applicable, the Standard for Manufactured Home Installations, ANSI A225.1/NFPA 501A, or Standard for Gas Equipped Recreational Vehicles and Mobile Housing, CSA Z240.4**

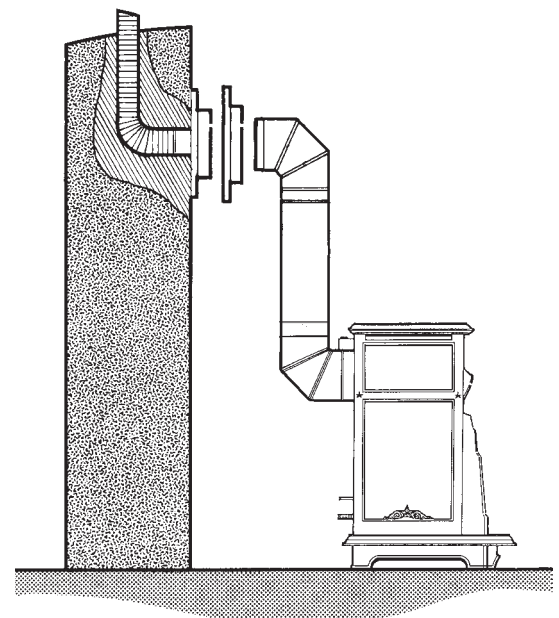
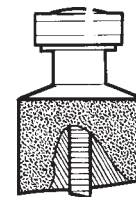


Fig. 6.6 Venting into existing masonry chimney using 4" duct and conversion kit.

**7. APPROVED VENTING/CHIMNEY TERMINAL CLEARANCES**

**1. CHECK THE GAS LINE PRESSURE (LP)**

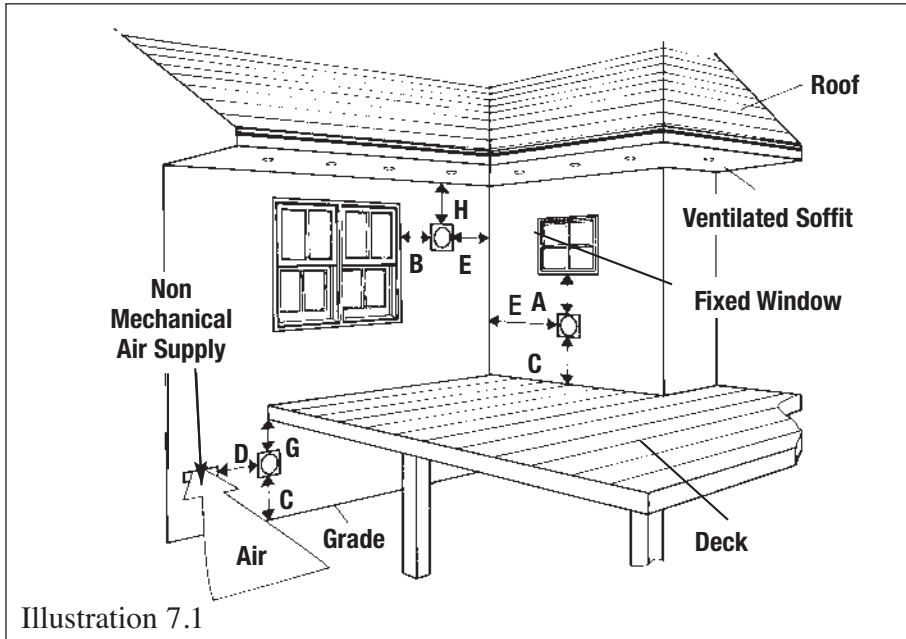


Illustration 7.1

- A. Clearance to a permanently closed window .....12"
- B. Clearance to a window or door that may be opened .....12"
- C. Clearance above grade. Also, clearance over deck, porch, veranda or balcony .....12"
- D. Clearance to non-mechanical air supply inlet or combustion air inlet of any other appliance .....12"
- E. Clearance to inside corner or adjacent wall.....12"
- F. Clearance to a non-ventilated soffit .....12"
- G. Clearance below deck, porch, veranda, or balcony if completely open on two sides .....18"
- H. Clearance to ventilated soffit located above the terminal within a horizontal distance of 2 feet from the center of the terminal.....18"
- I. Clearance around a center line above service regulator .3 feet
- J. Clearance to vegetation..3 feet
- K. Clearance around a service regulator vent outlet.....6 feet
- L. Clearance to a mechanical air supply .....6 feet
- M. Clearance above a paved sidewalk or driveway on public property. May not terminate above a sidewalk or driveway which is between two single family dwellings and serves both dwellings .....7 feet

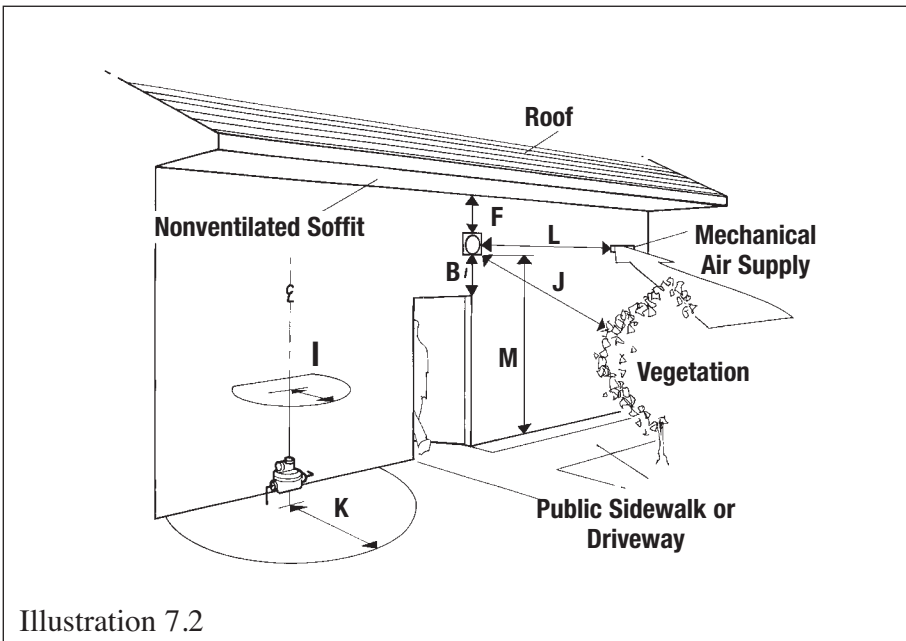


Illustration 7.2

## 8. UNPACKING THE FIREPLACE

### Remove Packaging

1. There is a corrugated carton packed on the front skirt of the Fireplace. The corrugated box contains the ceramic logset as well as leveling screws and the window clip tool. Remove the carton and set it aside.
2. Use a 7/16" socket or wrench to remove bolts and washers that attach stove to shipping pallet from below.
3. Lift the Fireplace straight up off the pallet by hand, being careful not to damage the controls and wiring that are under and at the back of the Fireplace. The Fireplace is heavy. You will need 2 people to lift it.
4. The ceramic tile is located in the burner pan. Remove rubber bands and label before use.

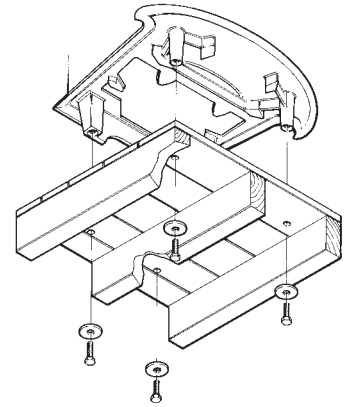


Illustration 8.1 There are four bolts that hold the Fireplace to the pallet during transport. Before lifting the Fireplace off the pallet, you must detach the bolts from the pallet. Remove the four bolts using a 7/16" wrench. Insert the 4 leveling screws into the base.

### Packing List

- A. Owners Manual (packed on top of Fireplace)
- B. Corrugated box containing:
  1. Log set (handle the log set with care; the ceramic logs are fragile)
  2. Window clip tool
  3. Leveling screws
  4. Three #8 self drilling screws for first section of pipe

## 9. PRE-INSTALLATION INSPECTION CHECKLIST FOR INSTALLER

1. Check that both intake and exhaust venting are clear of any debris or other obstruction at the back of the Fireplace.
2. Check that the gas manifold is connected to both the controller and the orifice at the back wall of the Fireplace and is free from damage (see illustration 9.3).
3. Remove the Front Casting (see illustration 9.1).
4. Remove the Glass Front (see illustration 9.2).
5. Check that the Pressure relief Lids are both seated flat
6. Check that the pilot gas tube, and thermocouple are properly connected to both the pilot assembly and gas controller (see illustration 9.4)

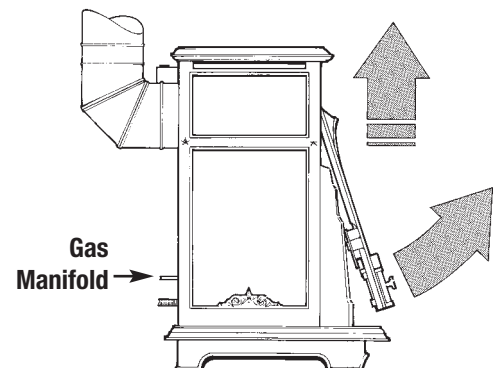


Illustration 9.1 To remove the front casting, lift straight up under the lip that extends over the top of the glass. This assembly includes the swinging door.

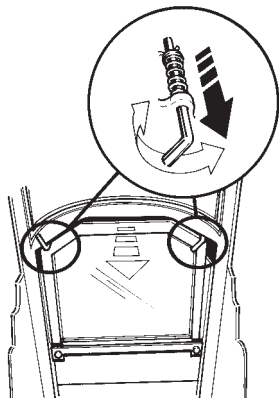
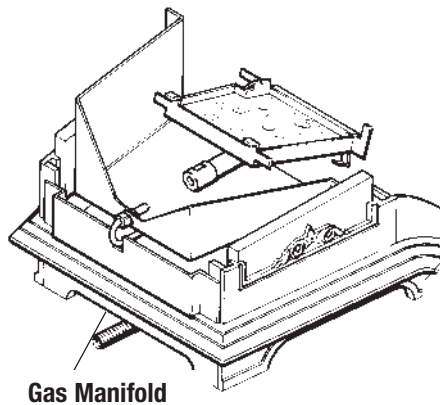
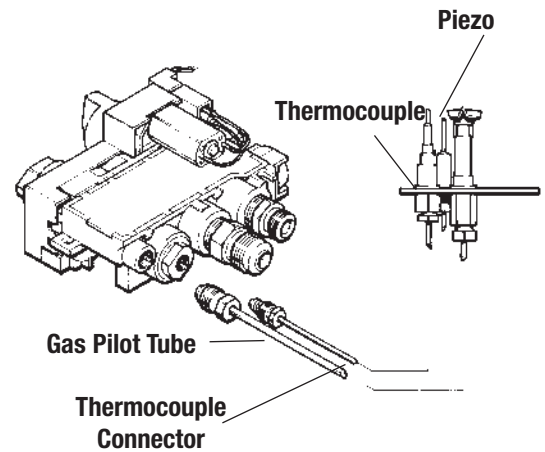


Illustration 9.2 The glass front is held in place by two spring-loaded clips. To release the clips, pull and twist.



Gas Manifold

Illustration 9.3 The burner pan fits in the base of the Fireplace as illustrated.



Gas Pilot Tube

Thermocouple Connector

Illustration 9.4 These connections should be checked carefully.

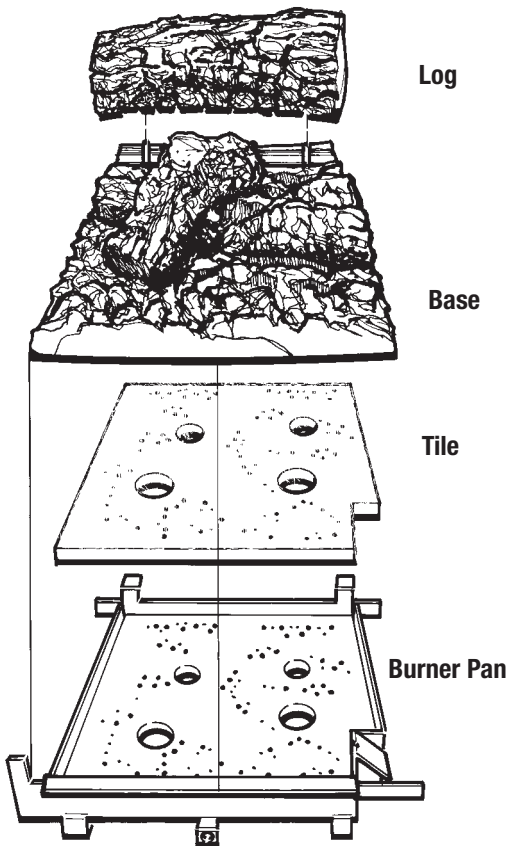


Illustration 10.1 Burner pan with ceramic tile and logset assembly. Ceramic tile and Logset are fragile. Please handle with care while installing and cleaning.

## 10. ASSEMBLING THE FIREPLACE

### 1. INSTALLING THE LOGSET

Your Cottage Franklin Gas Stove has been carefully assembled by our craftsmen. Because of the fragile nature of the ceramic logset it is packaged separately to ensure safe shipping, and requires minor assembly. Please refer to the following instructions and diagram to ensure proper placement of the logset.

Remove the front casting by lifting straight up with one hand on the cast lip above and below the screen barrier. This assembly includes the swinging door at the bottom and is heavy. Care should be taken while removing. (See illustration 9.1 on previous page.)

The glass panel is held in place with two spring loaded clips at the top and a rail bolted at the bottom. The clips can be released using the tool provided. Loop the tool over the end of the clips then pull and twist them out of the way. The panel may be removed by lifting it up and out. (See illustration 9.2.)

The burner pan is located in the bottom of the firebox and is bolted in place to ensure safe shipping. The white ceramic tile fits securely in the recess in the top side of the burner pan. The top of the tile may protrude above the sides of the burner pan slightly. The logset base should be placed over the ceramic tile. Locate it by sliding it to the right and then back to the left until it hits the metal stop on left of the burner pan (See illustration 10.1.). The logset base should be as far forward as possible.

Place the large log section over the protruding pins at the rear of the logset base.



## 2. REPLACE GLASS FRONT/FRONT CASTING

Once the tile and logset have been assembled the glass panel may be reinstalled. Be sure the bottom edge of panel fits snugly into bottom rail and clips are fastened securely.

Replace the front casting.

## 3. INSTALLING OPTIONAL EQUIPMENT:

Installing optional remote control:

The Cottage Franklin Gas stove may be equipped with an optional remote control. The remote has several functions. It can turn the burner on or off, regulate flame height or act as a timer/thermostat. The remote control system includes the remote transmitter, the remote receiver, and connecting wires.

Refer to instructions for installation and operation included with the remote control system. (See appendix B page 36)

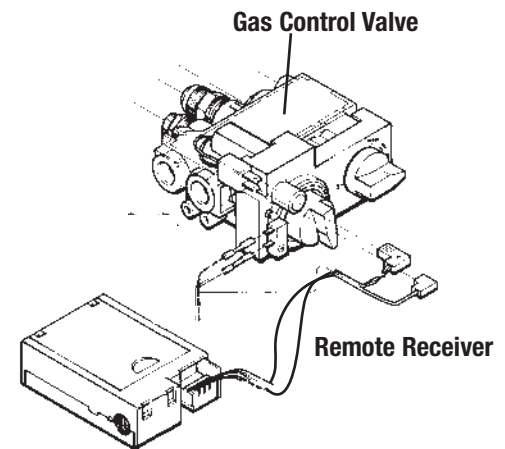


Illustration 10.2 *Optional remote control system connections to the control valve.*

# 11. CONNECTING THE GAS SUPPLY & TESTING THE FLAME

**WARNING: This unit must be installed by a qualified gas technician in accordance with local codes or in the absence of local codes, with the most current edition of the National Fuel Gas Code ANSI Z21.88-2017**

**Before connecting the Stove to the gas line, you should check the gas line pressure.** The stove and its main gas valve must be disconnected from the gas supply piping system during any pressure testing of that system at test pressures in excess of 1/2 psi (3.5kPa/14"WC). If the gas line pressure is too high it will rupture the gas control valve on the Stove.

Isolate the stove from the gas supply piping system by closing the shut-off valve during any pressure testing of the gas supply piping system at test pressures in excess of 1/2 psi (3.5kPa/14"WC).

## 2. ATTACH GAS LINE TO THE CONTROL VALVE

The gas supply line is connected to the stove gas control valve through a 1/2" flexible connector pre-attached to the valve using a 3/8" male NPT fitting. The gas supply line for either propane (LPG) or natural gas (NG) should be large enough to support (25,000 Btu) and should be connected with a male 1/2" 45 degree flare fitting. Consult local building codes to properly size the gas supply line.

## 3. TEST FOR LEAKS

Test for leaks using a sniffer, soapy water or an approved leak testing spray. Check each joint or connection from the main supply valve to the Stove. Check the connections on the control valve as well as those in the Stove in case one loosened in shipment. **Again, never test with an open flame.**

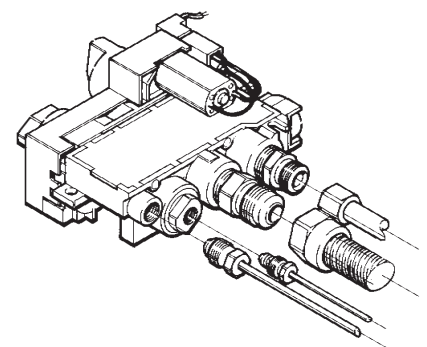


Illustration 11.1 *Connection to the stove can be made with a straight or elbowed 1/2" fitting into the flexible connector.*

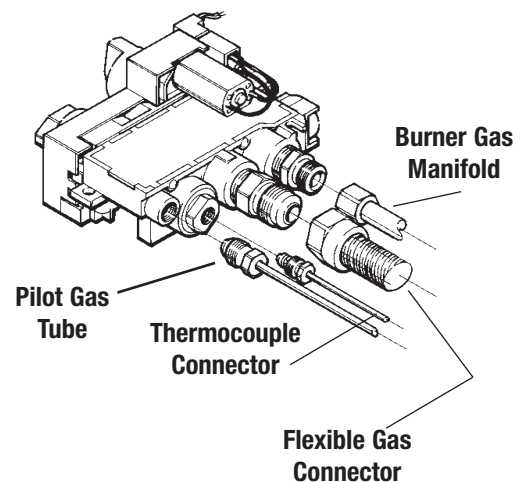


Illustration 11.2 *This illustration shows connection at the control valve at the rear of the Fireplace.*

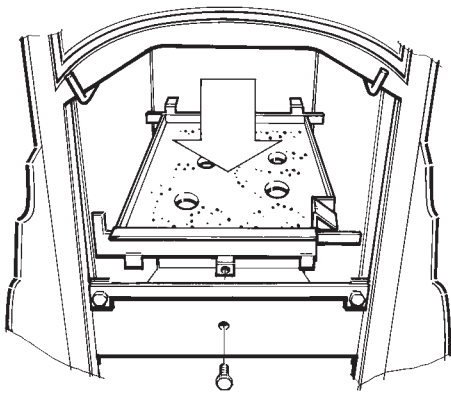


Illustration 11.3 The burner pan is attached as illustrated above.

Replace ceramic tile, logset, glass panel, and front casting following assembly instructions on page 14. Light fire and see how flame looks with the adjustment. Allow stove to cool before making further adjustments if necessary.

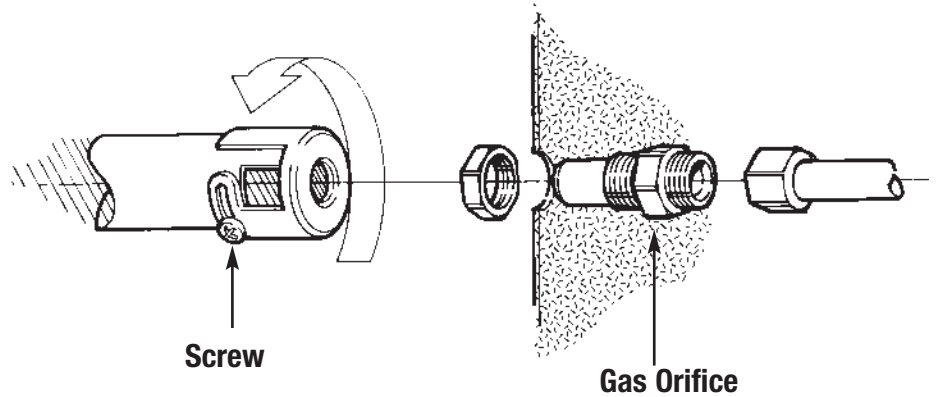


Illustration 11.5 Installer: adjust the air shutter to modify fuel/air mixture.

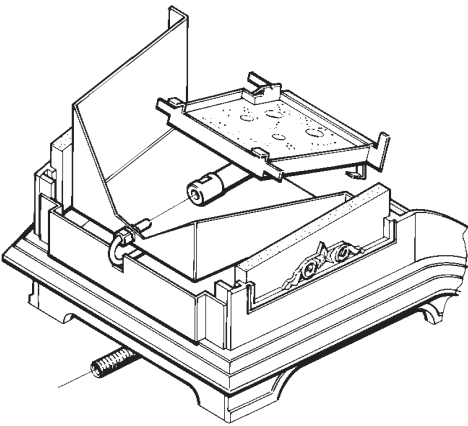


Illustration 11.4 The venturi fits securely over the orifice with the burner pan properly located in the firebox.

### The Screen Barrier for the Glass Front

A screen barrier has been installed on the front of your Cottage Franklin Gas Stove to reduce the risk of burn from the hot viewing glass. It has been installed at the factory for the protection of children and other at-risk individuals. It should not be removed.

If the screen barrier becomes damaged, it shall be replaced with the barrier made by Woodstock Soapstone Company for the Cottage Franklin Gas Stove. The screen barrier is attached to the front casting, and should not be removed even to service the stove.

Installation and repair should be done by a qualified service person. The stove should be inspected before use and at least annually by a professional service person. More frequent cleaning might be required due to excessive lint from carpeting, bedding material, and so on. It is imperative that control compartments, burners, and circulating air passageways be kept clean.

Note: Clothing or other flammable material should not be placed on or near the appliance. Do not attempt to dry mittens or gloves by placing them on the stove.



The screen barrier, part # G-262 is held permanently in place with three clips, two on the bottom and one at the top of the barrier.

**13. TROUBLESHOOTING – INSTALLER ONLY**

(CERTIFIED GAS TECHNICIAN ONLY)

<b>PROBLEM</b>	<b>CAUSE</b>	<b>SOLUTION</b>
Pilot will not light despite repeated clicking of ignitor	1. Air in gas lines	a. Bleed gas lines
	2. No ignitor spark, either checked visually or proven by lighting the pilot with a match	a. Check for loose or disconnected wires
		b. Ignition wire is broken or corroded: replace
		c. Misaligned electrode, wrong gap: gap should be 1/8"
3. Low gas pressure.	d. Electrode insulator is cracked or tip is corroded: replace electrode	
	a. Wrong inlet pressure; adjust inlet pressure regulator to 4" w.c. for NG, 11" w.c. for LP.	
Pilot will not stay lit	1. Low gas pressure	a. Adjust inlet pressure regulator to 4" w.c. for NG, 11" w.c. for LP.
	2. Thermocouple not properly inserted in pilot assembly.	a. It must be placed so that the top 3/8" is engulfed in flame from the pilot.
	3. Thermocouple has dirty tip;	a. Clean with fine emery cloth
	4. Defective thermocouple;	a. Check open circuit voltage with volt meter, should be between 18mV and 28mV with induced heat source applied. If less than 18mV, replace.
	5. Defective electromagnet, check operation as follows:	a. Verify open-circuit thermocouple voltage is between 18mV and 28mV with induced heat source applied. If so, electromagnet is faulty and valve must be replaced.
	6. Lack of oxygen	a. Check venting for blockage, loose connections, and that configuration meets requirements for the stove
	7. High wind	a. Call Woodstock Soapstone Company for windguard options designed for your stove and installation.
Pilot burning, main burner will not light	1. Gas Control knob in wrong position	a. Check that gas control knob is "ON".
	2. Temperature set in remote transmitter is lower than room temperature, and remote set to Auto.	a. Increase set temperature on remote, go to manual mode, increase gas flow manually with switch, or knob on valve.
	3. Gas supply orifice is clogged.	a. Remove and blow out with compressed air or clean out with brush.

\*Optional Equipment

<b>PROBLEM</b>	<b>CAUSE</b>	<b>SOLUTION</b>
Delayed Ignition of burner	1. Burner pan is not in correct position (pilot cannot ignite fuel).	a. Reseat the burner pan following the instructions in the manual ensuring that the venturi is positioned over the orifice and pilot flame is running over the top surface of the burner pan.
	2. High Wind	a. Call Woodstock Soapstone Company for wind guard options designed for your stove and installation.
	3. Low manifold pressure	a. Use manometer to check output from controller. Must be 3.5" w.c. for N.G. and 10.5" w.c. for LP. (Check inlet pressure first)
	4. Low pilot flame	a. Adjust the setting of the "pilot" valve on the controller.(Check inlet pressure first)
	5. Flame Impingement (logset position).	a. If the logset is covering the pilot output contact Woodstock Soapstone for information.
Odor	1. Pressure relief lids not seated correctly.	a. Confirm pressure relief lids on top of and at the rear of firebox are properly seated.
	2. Curing of paint and gasket cement.	a. It is normal to experience an odor for the first few hours of constant use; this will discontinue with normal use.
Low flame or flame goes out after a short burn.	1. Venting is blocked or interrupted.	a. Check that the pipe joints are locked together and free from obstruction.The inner pipe is more critical than the outer wall. b. Be sure that the pipe system is completely without interruptions from the fireplace to the outside termination cap.
	2. Low gas pressure.	a. Confirm inlet pressure. b. Make sure the gas storage tank is not too low. (Under 20%) c. Check for moisture in gas supply system. d. Check for contaminants in gas supply system.
Sporadic changes of flame level/lifting of flame.	1. High wind.	a. Shut off fireplace system and wait for wind to die down. b. Call Woodstock Soapstone Company for wind guard options designed for your stove and installation.
	2. Pressure relief lids out of position	a. Confirm pressure relief lids on top of and at the rear of firebox are properly seated.

## 14. OPERATING YOUR GAS FIREPLACE

### **BEFORE YOU USE YOUR GAS FIREPLACE**

1. Determine that the gas shut-off valve is in the open position (there may be more than one shut-off valve between the Fireplace and the main gas supply; make sure all are turned on).
2. If the Fireplace has not been used for some time, there will be air in the gas supply line. This will be automatically purged when you light the pilot.
3. Smell for gas, especially near the floor if you are using LPG (propane) as it is a heavy gas and any leaked gas would stay near the floor. Natural gas is lighter than air and will rise. If you smell gas, do not attempt to light. Follow "What to do if you smell gas" instructions shown on the cover of the manual.

## 15. LIGHTING INSTRUCTIONS

FOR YOUR SAFETY READ BEFORE LIGHTING

**WARNING: IF YOU DO NOT FOLLOW THESE INSTRUCTIONS EXACTLY, A FIRE OR EXPLOSION MAY RESULT CAUSING PROPERTY DAMAGE, PERSONAL INJURY OR LOSS OF LIFE.**

This appliance has a pilot. When lighting the pilot, follow these instructions exactly.

BEFORE OPERATING, smell all around the appliance area for gas. Be sure to smell next to the floor because LP gas is heavier than air and will settle on the floor.

### WHAT TO DO IF YOU SMELL GAS:

Do not try to light any gas appliance.

Do not touch any electric switch; do not use any phone in your building.

Immediately call your gas supplier from a neighbor's phone. Follow the gas supplier's instructions.

If you cannot reach your gas supplier, call the fire department.

Use only your hand to push in or turn the gas control knob. Never use tools. If the knob will not push in or turn by hand, don't try to repair it. Call a qualified service technician. Force or attempted repair may result in fire or explosion.

Do not use this appliance if any part has been under water. Immediately call a qualified service technician to inspect the appliance and to replace any part of the control system and any gas control that has been under water.

**BEFORE LIGHTING YOUR STOVE READ THESE INSTRUCTIONS CAREFULLY!  
DO NOT LIGHT THE STOVE IF YOU SMELL GAS!**

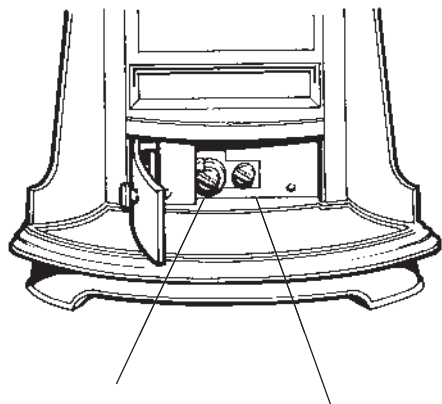
### TO LIGHT THE PILOT

1. PUSH THE GAS CONTROL KNOB IN COMPLETELY AND WHILE THE KNOB IS PUSHED IN, TURN IT **REPEATEDLY** COUNTERCLOCKWISE FROM "IGN" TO "PILOT". EACH TIME YOU TURN THE KNOB TO "PILOT" YOU WILL HEAR A CLICK AS IT PRODUCES A SPARK.

– When you push the control knob in, you are letting gas into the firebox.  
– Each time you turn the knob to the left and hear a click, you are producing a spark.

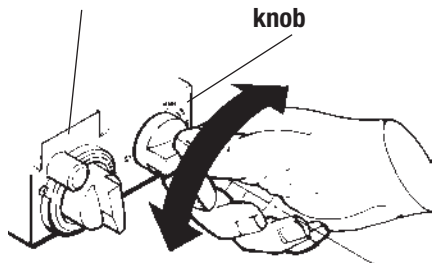
2. IF THE PILOT DOES NOT LIGHT IN THE FIRST 5-6 SECONDS, **STOP**.

– Turn the control knob to the "OFF" position. Wait 5 minutes for the gas to dissipate before attempting to light the stove again.

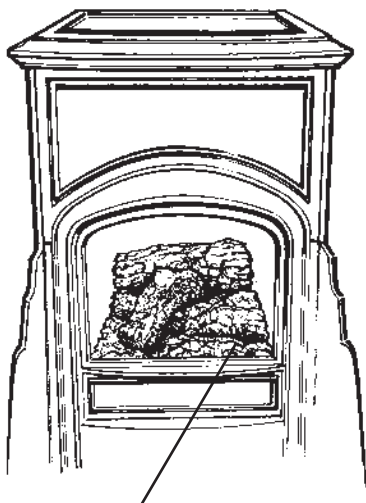


Flame adjustment knob

Gas control knob



The knob on the right lights the pilot and the main burner. The knob on the left controls flame height and burner On/Off.



Look for Pilot here.

– If you attempt to light the stove too soon the accumulated gas will ignite, causing an explosion.

### 3. WHEN THE PILOT LIGHTS, CONTINUE TO HOLD THE KNOB IN FOR 10 SECONDS SO THE PILOT WILL STAY LIT.

- When the pilot lights a small flame will be visible below the logset at the right front corner of the firebox.
- Depressing the gas control for 10 seconds after the pilot is lit warms the thermocouple.
- Release the knob. The pilot will remain lit.

### TO LIGHT THE BURNER

#### 1. CONFIRM THE PILOT IS LIT.

- The pilot must be lit before the burner will light.
- Follow instructions above if pilot is not lit.

#### 2. TURN THE GAS CONTROL KNOB COUNTERCLOCKWISE FROM "PILOT" TO "ON". THE BURNER WILL IGNITE

- If flames do not appear in 10 seconds it may be necessary to turn the flame adjustment (left) knob counterclockwise until flames appear.

NOTE: Flame height can be controlled manually at the control panel using the left knob, or with the optional remote control.

NOTE: Knob cannot be turned from "PILOT" to "OFF" unless depressed slightly. Do not force or use tools.

### TO TURN OFF GAS TO APPLIANCE

To turn the main burner off manually turn the ON-PILOT-OFF knob clockwise to pilot. In this position the flames from the main burner will be extinguished, but the pilot will remain lit. The left flame adjustment knob may also be used to turn the burner off by turning it clockwise until it stops. The optional remote control can also extinguish the main burner by simply holding the flame adjustment button in the LO position until the flames go out.

**CAUTION; HOT WHILE IN OPERATION. DO NOT TOUCH. KEEP CHILDREN, CLOTHING, FURNITURE, GASOLINE AND OTHER LIQUIDS HAVING FLAMMABLE VAPORS AWAY.**

**WARNING:** Improper installation, adjustment, alteration, service or maintenance can cause injury or property damage. Refer to the owner's information manual provided with this appliance. For assistance or additional information consult a qualified installer, service agency or the gas supplier.

**CAUTION:** Do not operate this appliance with glass removed, cracked or broken. Replacement of the panel(s) should be done by a licensed or qualified service person.

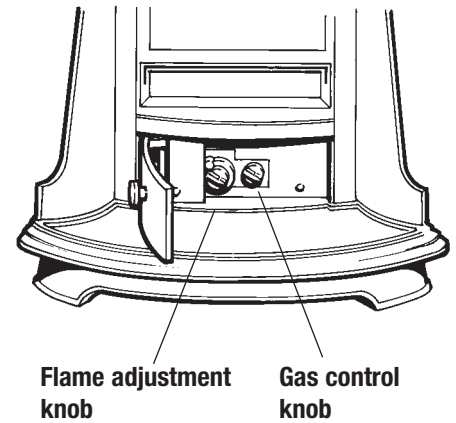


Illustration 15.2 To ignite the pilot, use the two controls indicated above.

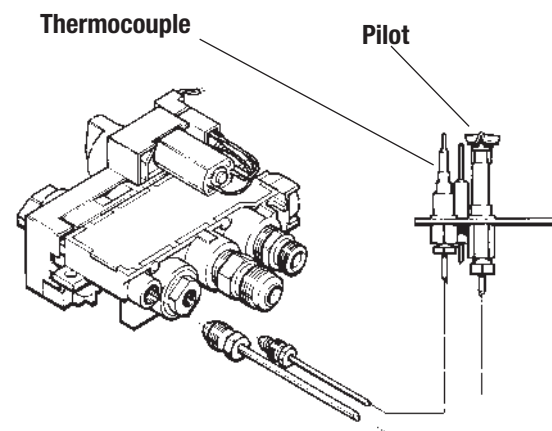


Illustration 15.3 The pilot is located next to the thermocouple. The pilot flame is visible on the right side of the firebox.

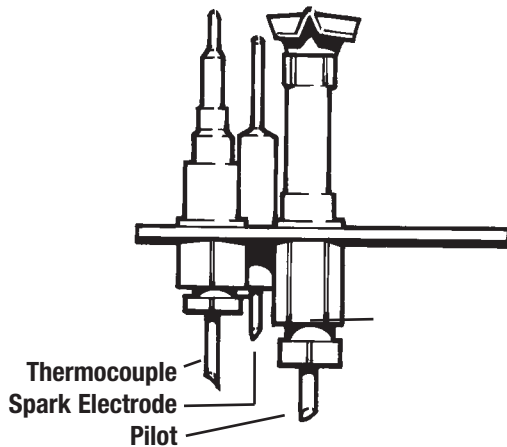


Illustration 15.4 *The pilot assembly is located on the right side of the firebox.*

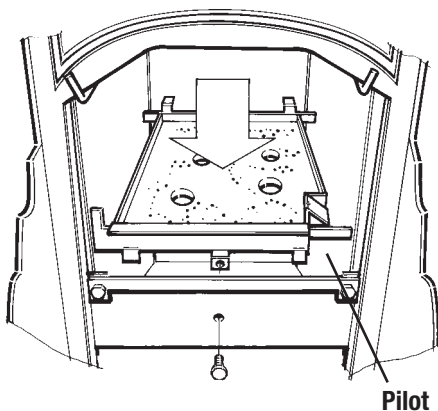


Illustration 15.5 *When the pilot is lit, the flame will be clearly visible at the right side of the firebox, beneath the right side of the burner pan.*

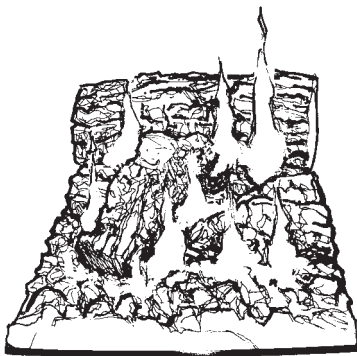


Illustration 15.6 *After the fire has burned for 15 minutes the flames should be evenly distributed and have a mostly yellow appearance.*

### Technical Note:

**HOW THE PILOT SAFETY CONTROL WORKS:** When lit, the pilot flame warms a thermocouple. The heated thermocouple produces a small electrical current that activates an electromagnet which keeps the pilot gas supply valve open. When you hold down the control knob after the pilot initially lights, you are manually keeping open the gas supply until the thermocouple warms up enough to automatically keep the gas supply valve open.

Should the pilot blow out, the thermocouple will cool and the electromagnet will close the gas supply valve and shut off the supply of gas. If pilot goes out after being lit long enough to warm the thermocouple, the thermocouple must cool down before the electromagnet will allow the gas valve to reopen. This safety mechanism can take up to 30 seconds and produces an audible “click”.

### ADDITIONAL NOTES

1. Check that the flames are evenly distributed. (See illustration 15.6.) in LP burning stoves they will be mostly blue for the first 15 minutes and then will change to yellow/orange. NG stoves will remain very blue/translucent. There may be a slight amount of condensation on the glass. This will disappear when the fireplace heats up.
2. If this is the first time you have burned your new fireplace for any length of time, you may smell the fireplace paint curing. This is normal and will go away within a few hours.
3. The adhesive on the window gasket will also take a few days to cure. This process will create an unpleasant odor. This is normal and will go away after about 10 to 12 hours of use on High.
4. **To completely shut off the Stove**, including the pilot, turn the Gas Control Knob to the “OFF” position. It is a good idea to turn the Gas Control Knob to “OFF” and turn the manual gas valve on the supply line to “OFF” if the stove will not be used for any length of time. This turns off the pilot, the burner, and the gas supply.

### WARNING

Do not attempt to decrease flame size or heat output by closing the manual gas supply valve. This valve should always be in a fully open position.

## 16. SAFETY INSTRUCTIONS

### FOR YOUR SAFETY READ BEFORE OPERATING

**WARNING:** If you do not follow these instructions exactly, a fire or explosion may result causing property damage, personal injury, or loss of life.

- A. This appliance has a pilot. When lighting the pilot, follow these instructions exactly.
- B. **BEFORE OPERATING** smell all around the appliance area for gas. Be sure to smell next to the floor because some gas is heavier than air and will settle on the floor.

#### WHAT TO DO IF YOU SMELL GAS

- Do not try to light any gas appliance.

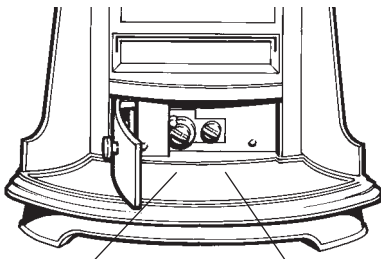
- Do not touch any electric switch; do not use any phone in your building.
  - Immediately call your gas supplier from a neighbor's phone. Follow the gas supplier's instructions.
  - If you cannot reach your gas supplier. Call the fire department.
- C. Use only your hand to push in or turn the gas control knob. Never use tools. If the knob will not push in or

turn by hand, don't try to repair it. Call a qualified service technician. Force or attempted repair may result in a fire or explosion.


- D. Do not use this appliance if any part has been under water. Immediately call a qualified service technician to inspect the appliance and to replace any part of the control system and any gas control that has been under water.


### LIGHTING INSTRUCTIONS

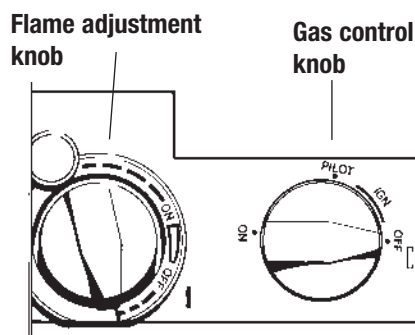
1. STOP! Read the safety information on the panel above.



Flame adjustment knob      Gas control knob

2. Push in gas control knob slightly and turn clockwise  to "OFF". NOTE: Knob cannot be turned from "PILOT" to "OFF" unless knob is pushed in slightly. Do not force.
3. Wait five (5) minutes to clear out any gas. If you then smell gas. STOP! Follow "B" in the safety information above on this label. If you don't smell gas, go to the next step.

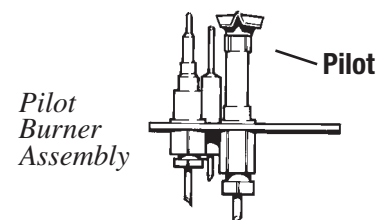
4. Push gas control knob in completely and turn counterclockwise  repeatedly from "IGN" to "PILOT". (audible click)




5. Find pilot. The pilot is located below the logset in the forward right corner area of the firebox.
6. Continue to hold the control knob in for about 10 seconds after the pilot is lit. Release knob and it will pop back up. Pilot should remain

lit. If it goes out, repeat steps 4 and 5.

- \* If knob does not pop up when released, stop and immediately call your service technician or gas supplier.
- \* If the pilot will not stay lit after several tries, turn the gas control knob to "OFF" and call your



service technician or gas supplier.

7. Turn gas control knob counter clockwise  to ON, turn flame adjustment knob counter clockwise until flames appear.

### TO TURN OFF GAS TO APPLIANCE

Push in gas control knob slightly and turn clockwise  to "OFF."

NOTE: Knob cannot be turned from "PILOT" to "OFF" unless knob is pushed in slightly. Do not force.

Turn manual gas supply valve off if stove will not be used for an extended length of time.



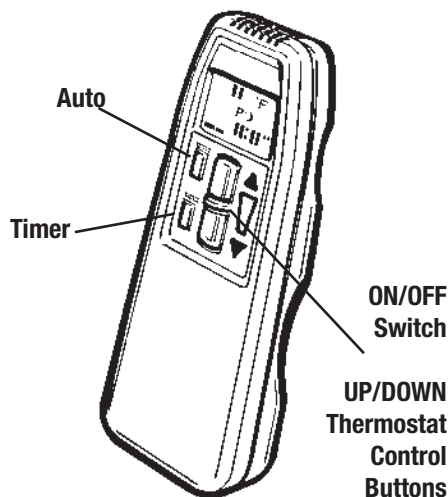


Illustration 17.1 The remote transmitter controls flame height, and acts as a thermostat.

## 17. REMOTE CONTROL

### REMOTE CONTROL UNIT

The Cottage Franklin gas stove is available with an optional remote control. The remote can adjust flame height, turn the main burner on and off when pilot is lit, as well as function as a timer or thermostat for your stove.

The remote control unit has two main components, a remote transmitter (see diagram 17.1) and a receiver.

The battery operated remote control has two main parts:

1. The Remote Transmitter (1- 9 volt battery)
2. The Remote Receiver (4 AA batteries)

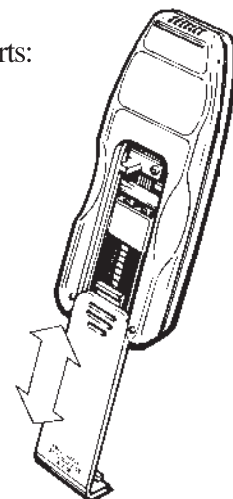


Illustration 17.2 The transmitter battery (9V) and programming instructions are under the sliding cover.

### THE REMOTE TRANSMITTER HAS THE FOLLOWING FEATURES:

#### Main Control Pad

- “ON-OFF” “HI-LO” buttons
- Mode indicators
- Ambient temperature read out
- Thermostat temperature setting
- Clock
- Timer
- Battery condition

Detailed instructions for setting and operating the remote control unit are located under the sliding cover on the back of the transmitter. The 9V battery is also located under the cover. Further instructions are included from the manufacturer.

A wiring diagram for installation can be found on page 36 in this manual. (See Appendix B, page 36)

The Remote Receiver must be installed in order to operate the Fireplace using a Remote Transmitter.

Once the remote control receiver has been wired into the control valve, and the transmitter has been properly set it can be used to control the stove in several ways.

-Flame adjustment - the height of the flames can be adjusted up and down using the large buttons on the transmitter. This will regulate the heat output of the stove. If the flame is adjusted to the minimum the main burner flame will be extinguished. The burner will re-ignite when the flame adjustment is increased.

- As a thermostat - A specific temperature can be maintained automatically using the remote control unit. Once a desired temperature has been set in the transmitter the stove will automatically cycle on and off and/or adjust flame height to maintain it.

-As a timer - specific on and off times can be pre-set in the transmitter and will be maintained in this mode.

**NOTE: If either set of batteries fail in the Transmitter or Receiver the Remote Transmitter will not function.**

To light the main burner with the optional remote:

Confirm the pilot is lit. If not lit, follow instructions for lighting pilot on page 19.

Turn the right gas control knob counter clockwise to the ON position.

Use the flame adjustment button on the remote to increase gas flow until flames appear. If flames appear immediately when the gas control knob is turned to the ON position the remote can then be used to control the flame height and turn the burner On or OFF with the large flame adjustment buttons.

Check that the flames are evenly distributed. They will be mostly blue for the first 15 minutes and then will change to yellow/orange. There may be a slight amount of condensation on the glass. This will disappear when the fireplace heats up.

Flame height can be controlled manually at the control panel using the left knob; or on with the optional remote control.

If this is the first time you have burned your new fireplace for any length of time, you may smell the fireplace paint curing. This is normal and will go away within a few hours.

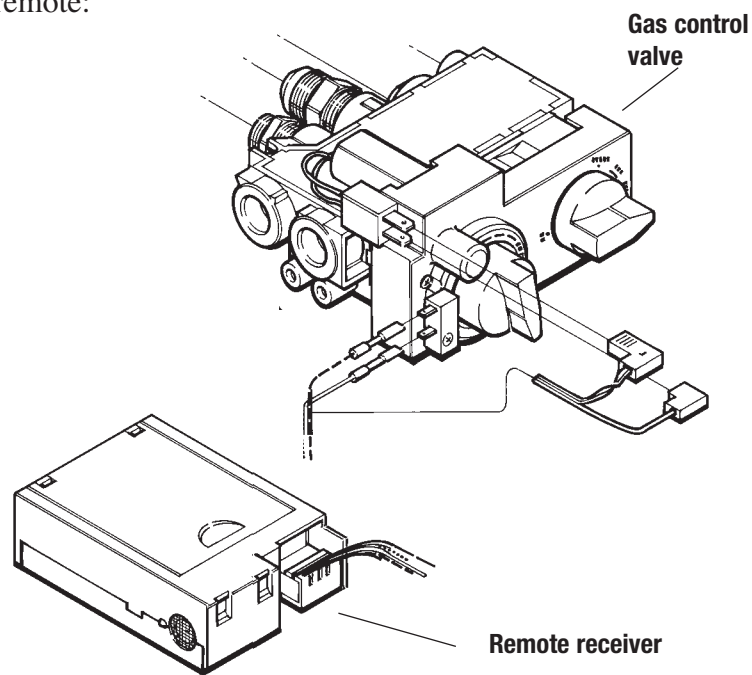


Illustration 17.3 Remote Receiver Wiring

**CAUTION:** If the batteries fail in either your Remote Transmitter or the Remote Receiver, the Fireplace will continue doing whatever it was doing when the batteries failed. If it was burning, it will continue burning until you manually turn it off. If it was off, it will remain off. There is no immediate danger in this situation. You could come home to either a very warm house or, if the Fireplace is your sole source of heat, a very cold house which offers the eventual danger of frozen water pipes.

## SHUTTING THE FIRE OFF FOR REMOTE CONTROL OWNERS

You may use any one of the following methods to shut the fire off:

To turn the burner off using the remote simply adjust the flame to the minimum until it is extinguished. To turn off the pilot as well as the main burner, the gas control knob must be pushed in and turned from the ON position through PILOT to OFF. If the stove will not be used for any length of time, it is a good idea to shut off the valve on the gas supply line. This turns off the burner, pilot, and gas supply.

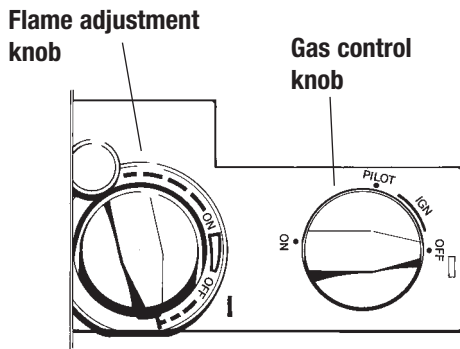


Illustration 18.1 To light the main burner with the remote the pilot must be lit and the gas control knob turned to ON.

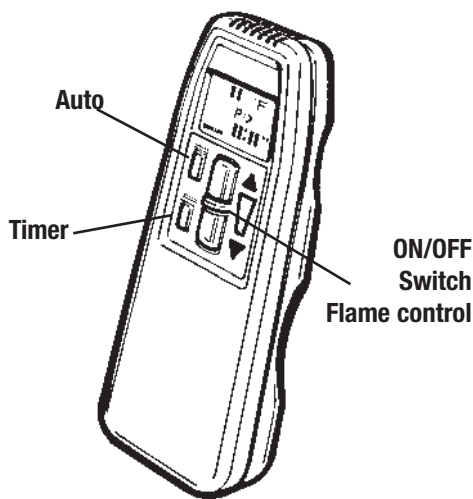


Illustration 18.2 Use the large buttons to turn the main burner ON or OFF and control flame height.

## 18. LIGHTING THE FIRE FOR REMOTE CONTROL OWNERS

Before performing any maintenance, turn the gas control knob to the “off” position. This will extinguish both the fire and the pilot flame. Wait until the Fireplace is cold before cleaning.

### CLEANING THE EXTERIOR CAST IRON OR SOAPSTONE

The metal and soapstone exterior of the Cottage Franklin Gas Stove may be cleaned with a damp cloth. Any scratches on the soapstone surface may be removed with number 000 or 0000 steel wool. If you polish the surface of the soapstone, remove the dust with a vacuum cleaner rather than a damp cloth.

### CHECK THE PILOT FLAME AND GAS LOG FLAMES PERIODICALLY

The flame pattern should resemble the pattern in diagram 19.1. One of the pilot flames should hit the thermocouple and the middle flame should angle up toward the main burner pan at the right front corner. Black carbon deposits on the logset are common, especially in LP burning stoves. Excessive loose build-up may have an impact on flame appearance. See “Cleaning the inside of the firebox” for cleaning instructions.

### CLEANING THE GLASS

Do not clean the glass when it is hot. Always allow it to cool to room temperature.

It will be necessary to clean the ceramic glass occasionally. It is normal for condensation to form on the inside of the glass during a cold start-up. Sometimes dust or lint clings to the condensation. Residue from the initial paint curing inside the firebox can also leave a residue on the inside of the glass.

We recommend that you clean the glass after the first couple weeks of use. After the initial cleaning, the inside of the glass should require cleaning no more than once or twice a year.

To clean the glass, use a mild glass cleaner and a soft cloth. Do not use abrasive cleaners. Lift the front casting up, and pull the bottom of the casting out from the Fireplace. Remove the glass front by rotating the two spring loaded clips that hold the frame in place.

**WARNING: Do not strike the glass front. Do not operate the Cottage Franklin Gas Stove with the glass front removed, cracked, or broken. Replacement of the glass front should be done by a licensed or qualified person. Do not use substitute**

## 19. ROUTINE MAINTENANCE

materials when replacing the front glass and frame assembly.

Use only the correct Woodstock Soapstone Company part #G-140E Robax Ceramic Glass/Frame Assembly.

If the ceramic front glass becomes cracked or damaged, follow the instructions below to remove the frame and damaged glass

### INSTRUCTIONS TO REMOVE OR REPLACE GLASS FRONT:

The glass front on the Franklin Gas Stove consists of a fully gasketed piece of ceramic glass, fastened with refractory adhesive to a steel frame. To replace the glass front and frame:

- (1) Remove the front casting. Lift up the front casting, and swing the bottom out. (See illustration 19.2.)
- (2) Pull and twist 2 spring-loaded clips to release pressure on glass frame. (See illustration 19.3.)
- (3) Lift frame and glass out of Glass Window Retainer.
- (4) Insert new or replacement frame and glass into Glass Window retainer. The Glass Frame will line up with the edge of the Firebox Frame. Keep the edges properly aligned to achieve the best seal.
- (5) Pull and twist 2 spring-loaded clips to clamp glass frame in place. This will compress the gasketing all the way around the glass, making a tight seal between the glass front and the firebox.
- (6) Replace front casting. Slide top tab up under the top frame, and then swing the bottom in behind the arched retaining rail.

### CLEANING THE INSIDE OF THE FIREBOX

The firebox should be cleaned annually. Follow these steps:

1. Turn off gas supply.
2. Remove glass front (See illustration 19.2.).
3. The logset and ceramic tile are extremely fragile and must be handled with care. A soft bristle brush may be used delicately to remove any dust or lint or loose black carbon deposits which may accumulate. Do not use a vacuum on the logset or tile. Remove both, then use a vacuum to clean the burner pan. (See illustration 19.4.)
4. Vacuum the inside of the firebox thoroughly.
5. Check that all gas ports are clear.
6. If glass needs cleaning, use regular glass cleaner or, for stubborn film, oven cleaner. Do not use abrasive cleaners. Never clean the glass when the glass is hot.
7. Replace log set and glass.

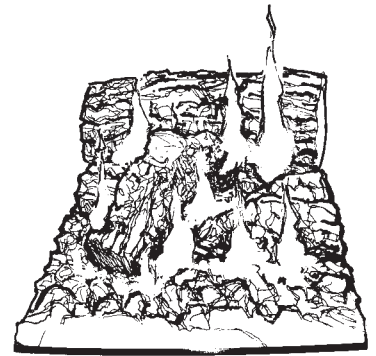


Illustration 19.1 When the burner is clean and the Fireplace is operating properly, the flame pattern will look approximately like the drawing above.

**20. ANNUAL INSPECTION**

**ANNUAL INSPECTION**

The Cottage Franklin Gas Stove and venting system should be inspected before use, *and at least annually by a qualified field service person* to ensure that the flow of combustion and ventilation air is not obstructed, the venting components are in good condition, and that the appliance is working properly.

The technician should inspect and ensure that the lighting of the main burner occurs within 4 seconds of the main gas valve opening. Visual inspection should match that outlined in Illustration 20.1.

The technician should also check all gas tubes, connections, pipes and other components for leaks.

**Annual Burner and Pilot Inspection and Cleaning**

A qualified service technician should clean the burner and pilot annually. In order to properly clean the burner and pilot assembly, you will have to turn off the gas supply to the appliance, and remove the front casting, the glass front, the log set and ceramic tile to expose the burner and pilot assembly.

Clean all foreign materials from the top of the burner and from the pilot assembly with a soft brush or vacuum cleaner. Remove any dust or lint. Check to be sure the burner and burner orifice are clean. If the pilot orifice becomes plugged, disassembly may be required.

The technician should check to be sure that the flame safety system works, and that the safety shutoff occurs within 30 seconds of flame failure.

**Annual Vent System Inspection**

During the annual servicing, a qualified technician should inspect the vent pipe to be sure that both the inside exhaust channel and the outside air intake channel are clean and free of obstructions. All parts should be checked for wear, corrosion, or deterioration. At the end of inspection the venting components should be reassembled and re-sealed according to the Simpson Dura-Vent instructions.

**Annual Pressure Relief Lid Inspection**

Visually inspect that the pressure relief lid located over the firebox. Physically lift upward on the pressure relief lid found at the top of the firebox to insure that it can move freely. Make sure it reseats properly when you release it.

**Annual Glass Cleaning**

Clean the glass window with a suitable fireplace glass cleaner. Abrasive cleaners must not be used. Be careful not to scratch the glass when cleaning.

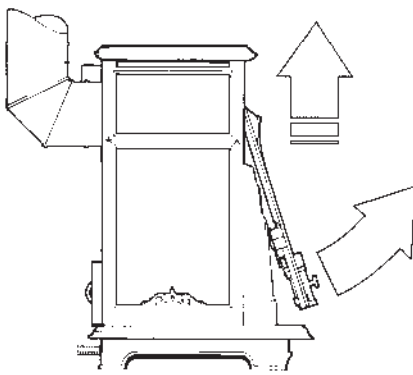


Illustration 19.2 To remove the front casting, lift straight up under the lip that extends over the top of the glass. This assembly includes the swinging door.

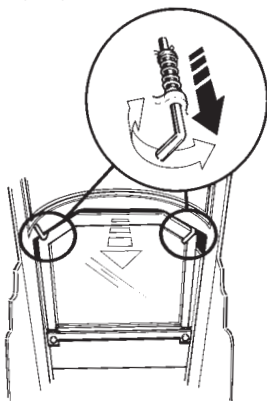


Illustration 19.3 The glass front is held in place by two spring-loaded clips. To release the clips, pull and twist.

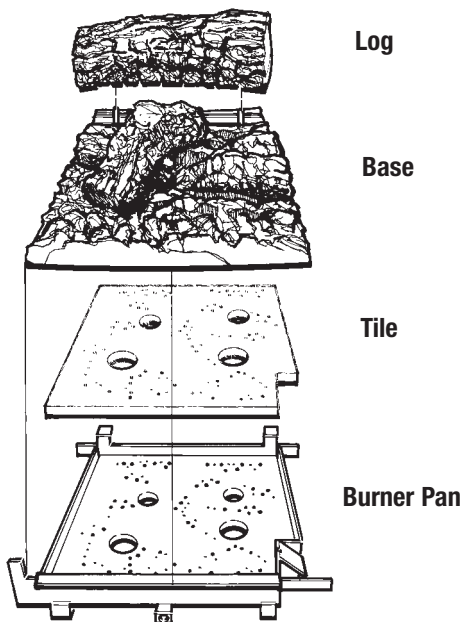


Illustration 19.4 . Ceramic tile and Logset are fragile. Please handle with care while installing and cleaning.

---

## 22. WARRANTY

Your Woodstock Soapstone Gas Fireplace has been carefully tested and inspected prior to shipment to you. We take pride in every Fireplace we build but our greatest satisfaction comes from our customers' continued happiness with their Woodstock Soapstone Stoves. In addition to this limited warranty, you have our assurance that we will be here to assist you in the installation, operation and maintenance of your Woodstock Soapstone Stove for the life of the Fireplace. Our customer service team is always happy to answer your questions.

Should you discover a defect, please call us for instruction about return and replacement of the defective part. We will replace free of cost any part that is defective in material or workmanship for one year from date of shipment. If you take delivery during the late spring or summer, we will extend the warranty start date to Thanksgiving of that year. If you find that you will be starting up your Fireplace later than Thanksgiving, please let us know by calling or writing us and giving us your projected installation and start up date. We will then confirm to you, in writing, an extended warranty expiration date.

We further warrant that each Fireplace is exactly as we have represented it. If you are not completely satisfied with the appearance, quality or performance of your Fireplace, you may return it within 6 months of delivery.

If your Fireplace is shipped by common carrier, it is insured against damage in transit. We will repair or replace any Fireplace damaged in transit. Please inspect your Fireplace carefully on receipt and report any damage to us within three days of receipt.

This Warranty does not cover damage caused by abuse or neglect or if your Fireplace was installed or used contrary to the instructions in your owner's manual.

Woodstock Soapstone Company employees have no authority to offer any warranty or remedy that varies from those covered here. This Warranty is not transferable.

Woodstock Soapstone Company will not be liable for incidental and consequential damages. (This may not apply to you if you live in a state that does not allow the exclusion of incidental and consequential damages).

This warranty gives you specific legal rights. You may have other rights which vary from state to state.

This limited warranty is in strict accordance with the Moss-Magnuson Warranty Act

## 21. TROUBLESHOOTING – OWNER

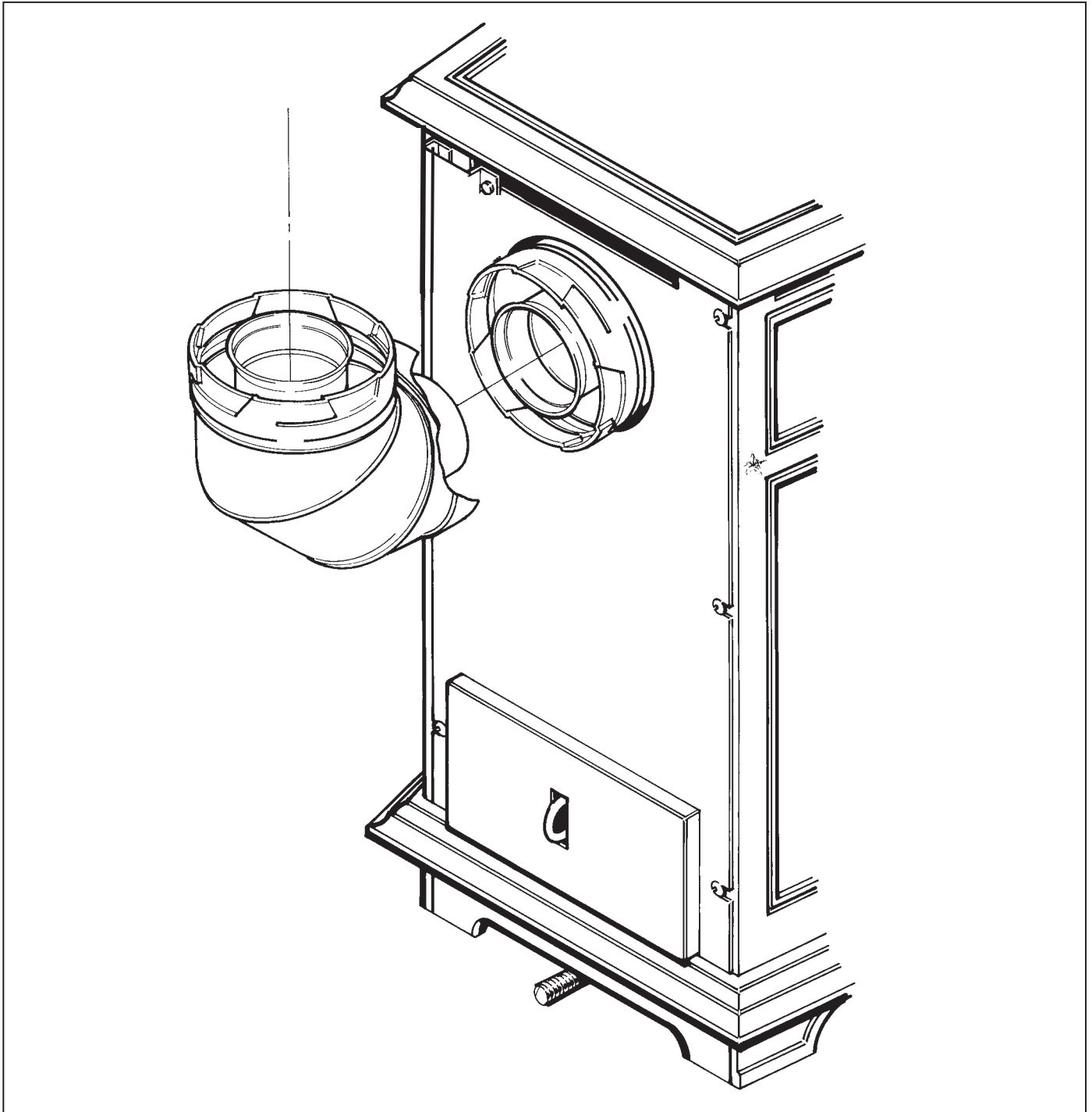
These are troubleshooting problems you could check before calling a technician. If these do not work, you must call in a qualified gas technician

<b>PROBLEM</b>	<b>SOLUTION</b>
<ul style="list-style-type: none"> <li>• Pilot will not light even though gas control knob has been depressed and turned repeatedly. Wait five minutes for gas to dissipate, then do the following before retrying</li> </ul>	<ol style="list-style-type: none"> <li>1. Confirm that you are following the pilot lighting instructions on page 21.</li> <li>2. Make certain that gas supply is turned on.</li> <li>3. If you are using propane, make sure tank is not too low. (Under 20%)</li> <li>4. Verify the ignitor wire is properly connected and undamaged.</li> <li>5. The ignitor spark may be checked visually at the right front of the firebox with the logset removed.</li> </ol>
<ul style="list-style-type: none"> <li>• Pilot will not stay lit when first trying to light it</li> </ul>	<ol style="list-style-type: none"> <li>1. Gas control knob not held down long enough for thermocouple to heat up to keep pilot gas valve turned on. (About 10 seconds after being lit)</li> <li>2. Pilot gas knob not fully depressed</li> </ol>
<ul style="list-style-type: none"> <li>• Burner refuses to light, pilot is working</li> </ul>	<ol style="list-style-type: none"> <li>1. Turn left flame adjustment knob counterclockwise until flames appear.</li> <li>2. Be sure temperature set in remote control is higher than room temperature; adjust flame height with remote or flame adjustment knob.</li> <li>3. If options 1 and 2 have been checked turn off the pilot immediately. Orifice or manifold may be obstructed. Turn the left flame adjustment knob to “off” and call a qualified technician to remove either part and clear obstruction.</li> </ol>
<ul style="list-style-type: none"> <li>• Burner flame too low</li> </ul>	<ol style="list-style-type: none"> <li>1. Flame adjustment knob set at “LO”, Turn knob counter clockwise to increase.</li> <li>2. Check vent pipe for possible blockage or loose connections.</li> <li>3. Call a qualified technician to check gas pressures.</li> </ol>
<ul style="list-style-type: none"> <li>• Glass has white residue on inside</li> </ul>	<ol style="list-style-type: none"> <li>1. Usual causes are contaminants in the combustion air. Contaminants (called aldehydes) could be from garden fertilizers or sprays, paint, any dust that is combustible.</li> </ol>

<b>PROBLEM</b>	<b>SOLUTION</b>
<ul style="list-style-type: none"> <li>• Glass has white residue on inside <i>(continued)</i></li> </ul>	<ol style="list-style-type: none"> <li>2. Contaminants from paints or sealants used in manufacturing the Fireplace.</li> </ol>
<ul style="list-style-type: none"> <li>• Glass has brown residue inside</li> </ul>	<ol style="list-style-type: none"> <li>1. Over long periods of time (months), this may occur if you are burning LP gas because it has more impurities than natural gas. You will need to clean the glass more often.</li> <li>2. This can result rapidly if the flame is not properly adjusted or there are other conditions that generate soot. Adjustments should be made by a service technician.</li> </ol>
<ul style="list-style-type: none"> <li>• Pungent odor</li> </ul>	<ol style="list-style-type: none"> <li>1. Confirm pressure relief lids on top of and at the rear of firebox are properly seated.</li> <li>2. Partial burning of aldehydes (See “Glass has white residue...” immediately above).</li> <li>3. This condition means that carbon monoxide is present.</li> <li>4. Call gas technician to check gas connection and installation.</li> </ol> <p>Note: During the first few days of operation, there will be an odor generated by the curing process. This is normal and will abate.</p>
<ul style="list-style-type: none"> <li>• Soot accumulating up on walls or furniture</li> </ul>	<ol style="list-style-type: none"> <li>1. Your gas Fireplace and venting system are sealed so that it is virtually impossible for soot to come from them. The most common source for this complaint turns out to be from burning candles.</li> <li>2. If you do not ever burn candles or do not have other open flames, check for the presence of soot in your Fireplace's firebox. If there is, look for a gasket leak around the glass or where the vent pipe exits the Fireplace. If there is a leak, there would likely be soot evident in the area of the leak.</li> </ol>
<ul style="list-style-type: none"> <li>• If you have a Carbon Monoxide (CO) sensor alarm, and it sounds</li> </ul>	<ol style="list-style-type: none"> <li>1. Incomplete or interrupted combustion of aldehydes               <ol style="list-style-type: none"> <li>a. Ventilate room until aldehydes are all burned off, that is, until the pungent odor is gone.</li> <li>b. A gas technician should check gas connection and installation.</li> </ol> </li> </ol>



APPENDIX A. PARTS LIST AND REAR EXPLODED VIEW DIAGRAM



---

**Parts List**
**Cottage Franklin Direct Vent Fireplace WARNING: DO NOT use substitute materials.**
**STONE**

G-230	Top Stone
G-231a	Front Top Stone
G-231b	Front Bottom Stone
G-232a	Side Top Stone
G-232b	Side Bottom Stone

**CAST IRON**

G-101	Right Side Wall
G-102	Left Side Wall
G-103	Front Top
G-104	Top
G-105	Base
G-106	Front Skirt
G-107	Left Skirt
G-108	Right Skirt
G-109	Front Frame
G-110	Door
G-111	Firebox Front
G-112	Exhaust Baffle
G-113	Heat Baffle
G-114	Baffle Rail - 1
G-115	Baffle Rail - 2
G-116	Exhaust Baffle Wing
G-117	Left Firebox Support
G-120	Right Firebox Support
W-221	Door Knob

**SHEET METAL**

G-118	Top Relief Cover
G-119	Back Relief Cover
G-241	Firebox
G-242	Control Valve Support Bracket (Maxitrol)
G-243	Control Valve Name Plate (Maxitrol)
G-246	Window Frame
G-247	Bottom Window Rail
G-248	Top Window Clip
G-249	Front Retainer
G-250	Rear Wall
G-251	Switch Mount Box
G-252	Bottom-Side Stone Strap
G-253	Front-Top Stone Strap
G-254	Front-Top Heat Shield
G-255	Front-Bottom Heat Shield
G-256	Side Heat Shield
G-257	Top Heat Shield

G-258	Firebox Bottom Heat Shield
G-260	Burner (w/Venturi Tube)
G-263	Manifold Tube (Maxitrol)
G-269a	LP Bulkhead Orifice
G-269b	NG Bulkhead Orifice
W-2408	Stainless Steel Hinge

**MISCELLANEOUS**

G-262	Protective Screen
G-67a	3/8 Compression Nut w/ Ferrule
G-98	1/2 SS Appliance Connector 12" Long
G-90	6.63" Flue Adapter
G-91	Tile for Burner
G-140	Glass
G-270	LP Controller w/ Ignitor Wire
G-271	NG Controller w/ Ignitor Wire
G-272	LP Pilot (PSE)
G-273	NG Pilot (PSE)
G-275	Black Cover for Controller w/ Micro-Switch
G-277	Connection Cable
G-279	Battery Holder
G-294	Oval Plate
W-2406	Door Magnet

**GASKET**

W-1602	Window Gasket
W-1607a	3/16" Gasket
W-1608a	1/4" Gasket
W-1609a	5/16" Gasket
W-1603	KWAL Gasket

**ACCESSORIES**

G-475	Remote Control (Maxitrol)
G-476	Connecting Cable for Remote

To order parts, or for  
information about parts or  
service, please contact:

Woodstock Soapstone Company, Inc.  
66 Airpark Road  
West Lebanon, NH 03784

Tel: 800-866-4344  
Fax: 603-298-5958

## APPENDIX B. WIRING DIAGRAM - REMOTE CONTROL UNIT

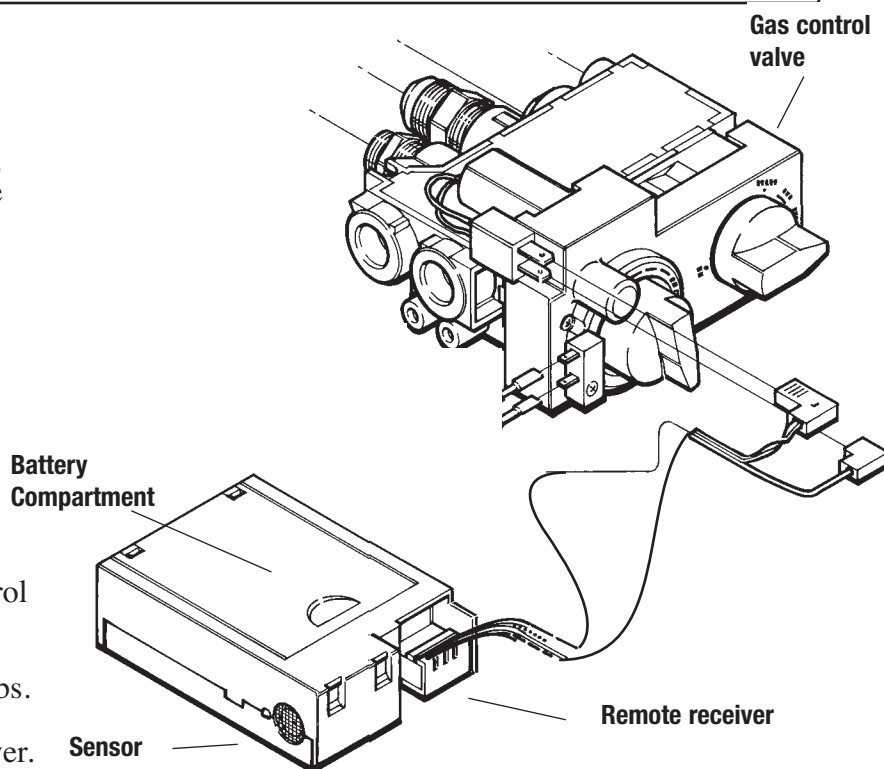
### INSTALLATION INSTRUCTIONS FOR OPTIONAL REMOTE CONTROL RECEIVER

If you choose the optional remote control unit, installation is as easy as connecting the remote receiver and installing batteries in the transmitter and receiver. **Note: Removal of front casting will make installation easier.**

Connecting the Remote Receiver:

The remote control unit consists of two components: A) the remote transmitter (requires one 9V battery); B) the remote receiver (required four AA batteries). Connection to the stove is made with a wiring harness also included.

- 1) Remove the cover plate. To access the control valve the metal plate covering the control valve must be removed. Remove the two bolts on either side of the gas control knobs. Remove the plate and set aside. Consider where you would like to place your receiver. You will need to disconnect the large plug from the receiver. Pass it through the front of the stove, under it, and out to where the receiver will be placed.
- 2) Connect the loose end of the wiring harness to the control valve.
- 3) Connect the wiring harness to the receiver. The wiring harness used to connect the receiver has a large plastic plug on one end, and four smaller connectors at the other. With the sensor opening facing toward you at the right end of the receiver, slide the large plastic plug (wire side pointing up) firmly over the green tab on the right side of the receiver. Note: Plug will fit securely in only one position.
- 4) Install required batteries after all wire connections have been made. The 9V battery for the transmitter is placed under the sliding cover on the back. There is also a battery compartment under the sliding cover on the receiver for the four AA batteries. Alkaline batteries are recommended.
- 5) Test your remote. The green LED on the receiver should light when a signal is received from the transmitter. Try pressing the large flame adjustment buttons on the transmitter. The left flame adjustment knob on the control valve should turn up or down as the buttons are pressed.



If the LED does not light or the flame adjustment knob does not turn when buttons are pressed check all connections and/or battery strength. The receiver sensor opening must be able to receive sound waves, be sure it is not obstructed.

- 6) Replace the control valve cover plate and front casting.

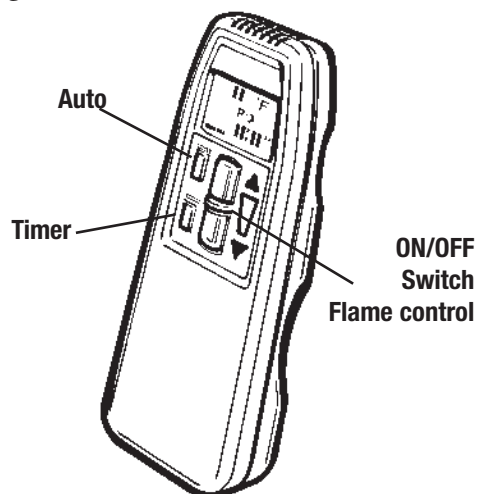


Illustration 18.2 Use the large buttons to turn the main burner ON or OFF and control flame height.