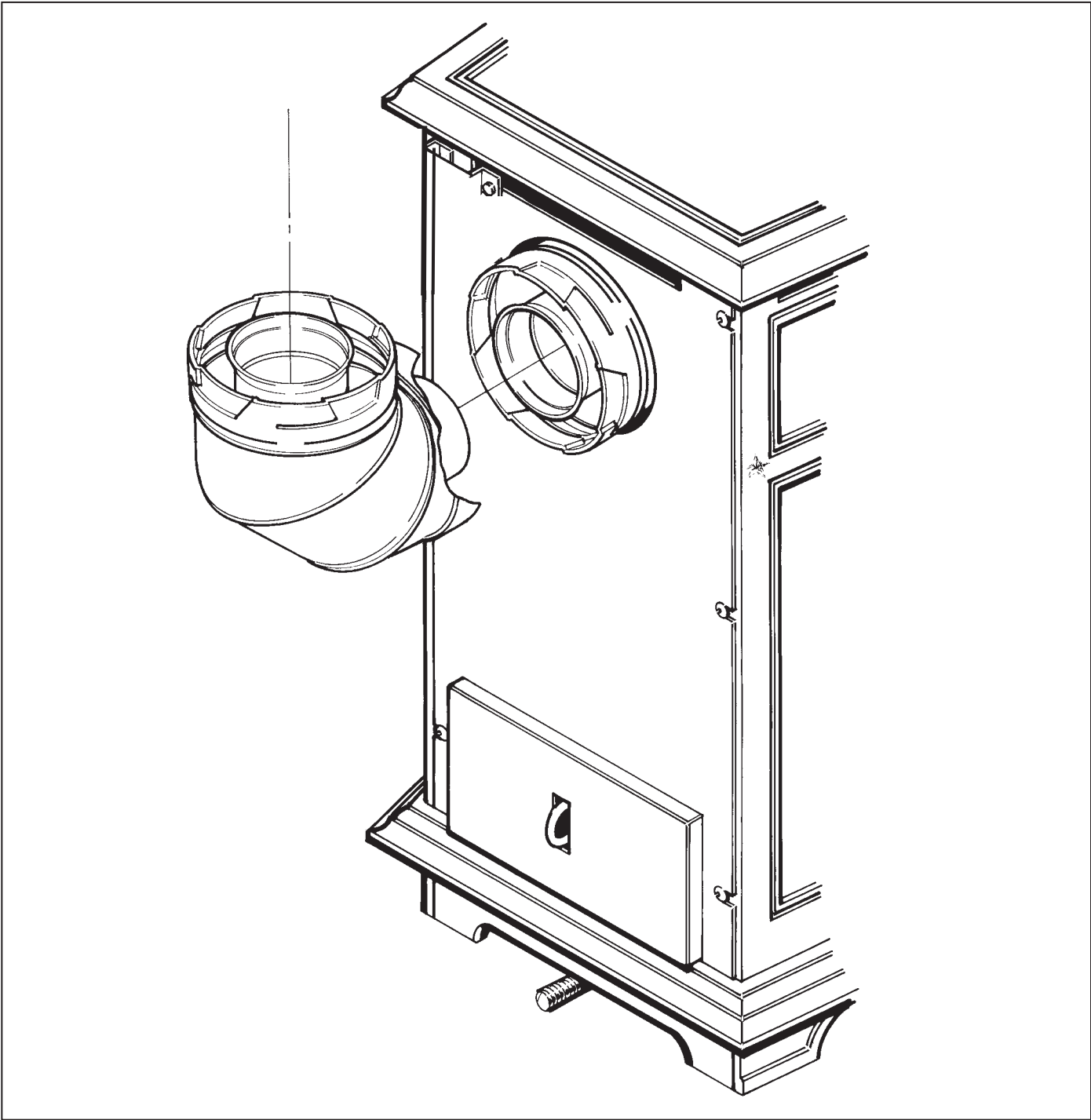


APPENDIX A. PARTS LIST AND REAR EXPLODED VIEW DIAGRAM



## Parts List

**Cottage Franklin Direct Vent Fireplace WARNING: DO NOT use substitute materials.**

### STONE

G-230	Top Stone
G-231a	Front Top Stone
G-231b	Front Bottom Stone
G-232a	Side Top Stone
G-232b	Side Bottom Stone

### CAST IRON

G-101	Right Side Wall
G-102	Left Side Wall
G-103	Front Top
G-104	Top
G-105	Base
G-106	Front Skirt
G-107	Left Skirt
G-108	Right Skirt
G-109	Front Frame
G-110	Door
G-111	Firebox Front
G-112	Exhaust Baffle
G-113	Heat Baffle
G-114	Baffle Rail - 1
G-115	Baffle Rail - 2
G-116	Exhaust Baffle Wing
G-117	Left Firebox Support
G-120	Right Firebox Support
W-221	Door Knob

### SHEET METAL

G-118	Top Relief Cover
G-119	Back Relief Cover
G-241	Firebox
G-242	Control Valve Support Bracket (Maxitrol)
G-243	Control Valve Name Plate (Maxitrol)
G-246	Window Frame
G-247	Bottom Window Rail
G-248	Top Window Clip
G-249	Front Retainer
G-250	Rear Wall
G-251	Switch Mount Box
G-252	Bottom-Side Stone Strap
G-253	Front-Top Stone Strap
G-254	Front-Top Heat Shield
G-255	Front-Bottom Heat Shield
G-256	Side Heat Shield
G-257	Top Heat Shield

G-258	Firebox Bottom Heat Shield
G-260	Burner (w/Venturi Tube)
G-263	Manifold Tube (Maxitrol)
G-269a	LP Bulkhead Orifice
G-269b	NG Bulkhead Orifice
W-2408	Stainless Steel Hinge

### MISCELLANEOUS

G-262	Protective Screen
G-67a	3/8 Compression Nut w/ Ferrule
G-98	1/2 SS Appliance Connector 12" Long
G-90	6.63" Flue Adapter
G-91	Tile for Burner
G-140	Glass
G-270	LP Controller w/ Ignitor Wire
G-271	NG Controller w/ Ignitor Wire
G-272	LP Pilot (PSE)
G-273	NG Pilot (PSE)
G-275	Black Cover for Controller w/ Micro-Switch
G-277	Connection Cable
G-279	Battery Holder
G-294	Oval Plate
W-2406	Door Magnet

### GASKET

W-1602	Window Gasket
W-1607a	3/16" Gasket
W-1608a	1/4" Gasket
W-1609a	5/16" Gasket
W-1603	KWAL Gasket

### ACCESSORIES

G-475	Remote Control (Maxitrol)
G-476	Connecting Cable for Remote

To order parts, or for information about parts or service, please contact:

Woodstock Soapstone Company, Inc.  
66 Airpark Road  
West Lebanon, NH 03784

Tel: 800-866-4344  
Fax: 603-298-5958

## APPENDIX B. WIRING DIAGRAM - REMOTE CONTROL UNIT

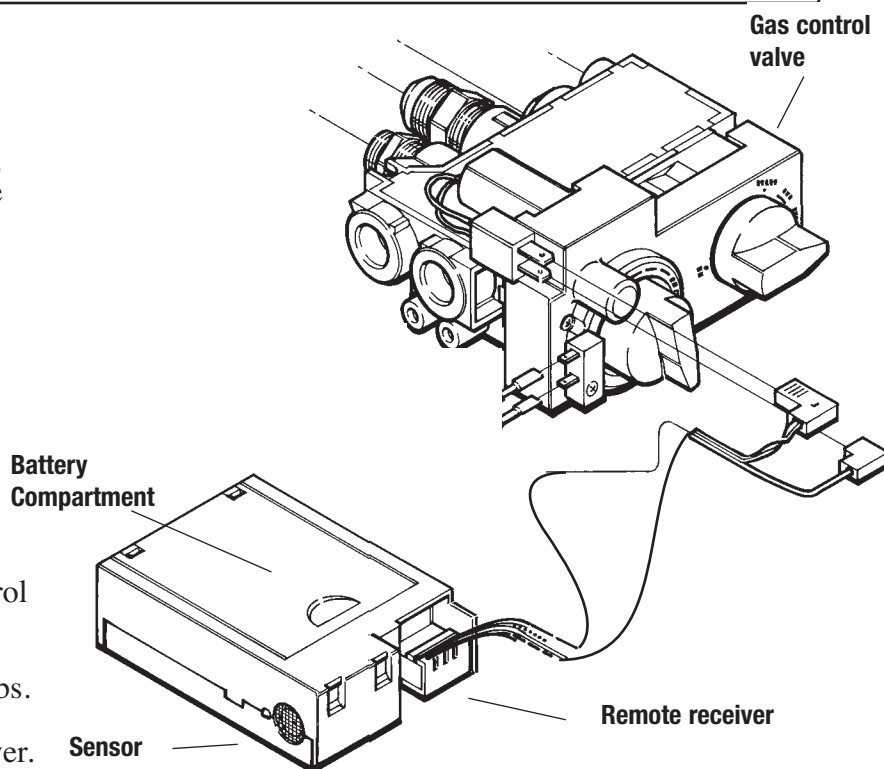
### INSTALLATION INSTRUCTIONS FOR OPTIONAL REMOTE CONTROL RECEIVER

If you choose the optional remote control unit, installation is as easy as connecting the remote receiver and installing batteries in the transmitter and receiver. **Note: Removal of front casting will make installation easier.**

Connecting the Remote Receiver:

The remote control unit consists of two components: A) the remote transmitter (requires one 9V battery); B) the remote receiver (required four AA batteries). Connection to the stove is made with a wiring harness also included.

- 1) Remove the cover plate. To access the control valve the metal plate covering the control valve must be removed. Remove the two bolts on either side of the gas control knobs. Remove the plate and set aside. Consider where you would like to place your receiver. You will need to disconnect the large plug from the receiver. Pass it through the front of the stove, under it, and out to where the receiver will be placed.
- 2) Connect the loose end of the wiring harness to the control valve.
- 3) Connect the wiring harness to the receiver. The wiring harness used to connect the receiver has a large plastic plug on one end, and four smaller connectors at the other. With the sensor opening facing toward you at the right end of the receiver, slide the large plastic plug (wire side pointing up) firmly over the green tab on the right side of the receiver. Note: Plug will fit securely in only one position.
- 4) Install required batteries after all wire connections have been made. The 9V battery for the transmitter is placed under the sliding cover on the back. There is also a battery compartment under the sliding cover on the receiver for the four AA batteries. Alkaline batteries are recommended.
- 5) Test your remote. The green LED on the receiver should light when a signal is received from the transmitter. Try pressing the large flame adjustment buttons on the transmitter. The left flame adjustment knob on the control valve should turn up or down as the buttons are pressed.



If the LED does not light or the flame adjustment knob does not turn when buttons are pressed check all connections and/or battery strength. The receiver sensor opening must be able to receive sound waves, be sure it is not obstructed.

- 6) Replace the control valve cover plate and front casting.

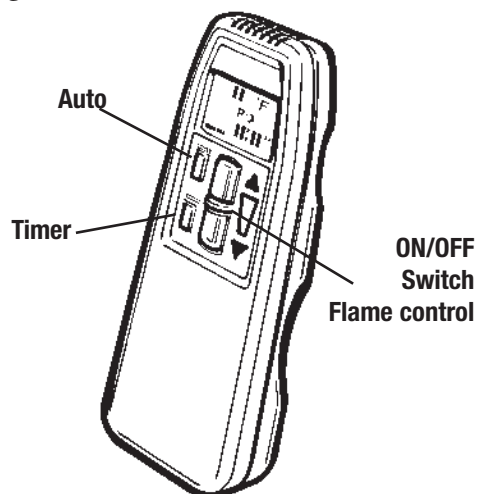


Illustration 18.2 Use the large buttons to turn the main burner ON or OFF and control flame height.