

Illustration 17.1 The remote transmitter controls flame height, and acts as a thermostat.

17. REMOTE CONTROL

REMOTE CONTROL UNIT

The Cottage Franklin gas stove is available with an optional remote control. The remote can adjust flame height, turn the main burner on and off when pilot is lit, as well as function as a timer or thermostat for your stove.

The remote control unit has two main components, a remote transmitter (see diagram 17.1) and a receiver.

The battery operated remote control has two main parts:

1. The Remote Transmitter (1- 9 volt battery)
2. The Remote Receiver (4 AA batteries)

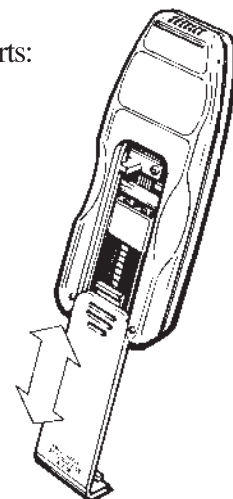


Illustration 17.2 The transmitter battery (9V) and programming instructions are under the sliding cover.

THE REMOTE TRANSMITTER HAS THE FOLLOWING FEATURES:

Main Control Pad

- “ON-OFF” “HI-LO” buttons
- Mode indicators
- Ambient temperature read out
- Thermostat temperature setting
- Clock
- Timer
- Battery condition

Detailed instructions for setting and operating the remote control unit are located under the sliding cover on the back of the transmitter. The 9V battery is also located under the cover. Further instructions are included from the manufacturer.

A wiring diagram for installation can be found on page 36 in this manual. (See Appendix B, page 36)

The Remote Receiver must be installed in order to operate the Fireplace using a Remote Transmitter.

Once the remote control receiver has been wired into the control valve, and the transmitter has been properly set it can be used to control the stove in several ways.

-Flame adjustment - the height of the flames can be adjusted up and down using the large buttons on the transmitter. This will regulate the heat output of the stove. If the flame is adjusted to the minimum the main burner flame will be extinguished. The burner will re-ignite when the flame adjustment is increased.

- As a thermostat - A specific temperature can be maintained automatically using the remote control unit. Once a desired temperature has been set in the transmitter the stove will automatically cycle on and off and/or adjust flame height to maintain it.

-As a timer - specific on and off times can be pre-set in the transmitter and will be maintained in this mode.

NOTE: If either set of batteries fail in the Transmitter or Receiver the Remote Transmitter will not function.

To light the main burner with the optional remote:

Confirm the pilot is lit. If not lit, follow instructions for lighting pilot on page 19.

Turn the right gas control knob counter clockwise to the ON position.

Use the flame adjustment button on the remote to increase gas flow until flames appear. If flames appear immediately when the gas control knob is turned to the ON position the remote can then be used to control the flame height and turn the burner On or OFF with the large flame adjustment buttons.

Check that the flames are evenly distributed. They will be mostly blue for the first 15 minutes and then will change to yellow/orange. There may be a slight amount of condensation on the glass. This will disappear when the fireplace heats up.

Flame height can be controlled manually at the control panel using the left knob; or on with the optional remote control.

If this is the first time you have burned your new fireplace for any length of time, you may smell the fireplace paint curing. This is normal and will go away within a few hours.

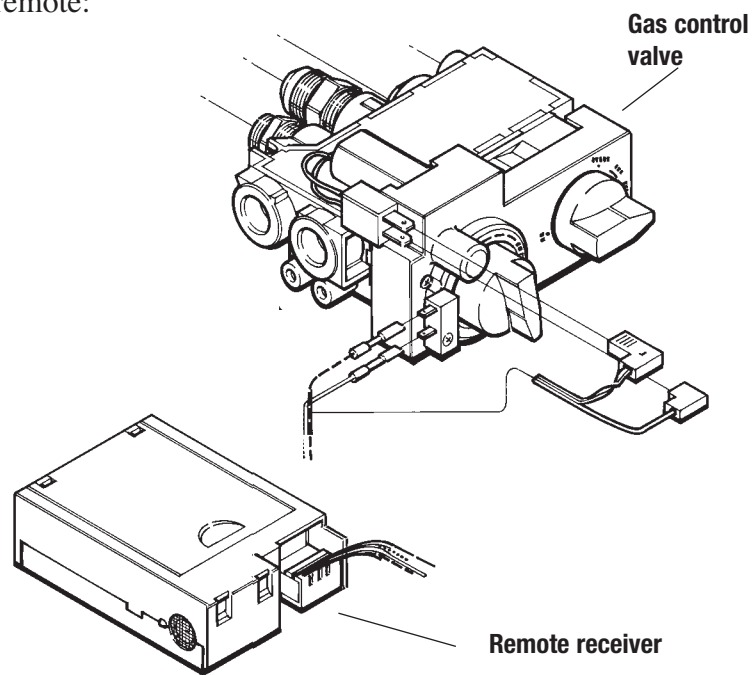


Illustration 17.3 Remote Receiver Wiring

CAUTION: If the batteries fail in either your Remote Transmitter or the Remote Receiver, the Fireplace will continue doing whatever it was doing when the batteries failed. If it was burning, it will continue burning until you manually turn it off. If it was off, it will remain off. There is no immediate danger in this situation. You could come home to either a very warm house or, if the Fireplace is your sole source of heat, a very cold house which offers the eventual danger of frozen water pipes.

SHUTTING THE FIRE OFF FOR REMOTE CONTROL OWNERS

You may use any one of the following methods to shut the fire off:

To turn the burner off using the remote simply adjust the flame to the minimum until it is extinguished. To turn off the pilot as well as the main burner, the gas control knob must be pushed in and turned from the ON position through PILOT to OFF. If the stove will not be used for any length of time, it is a good idea to shut off the valve on the gas supply line. This turns off the burner, pilot, and gas supply.

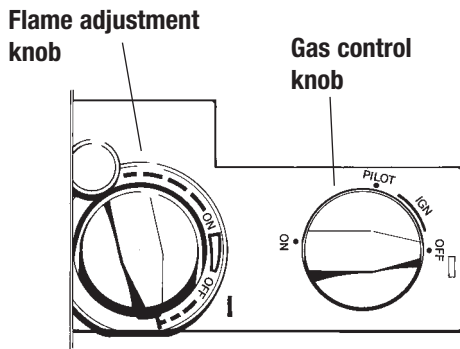


Illustration 18.1 To light the main burner with the remote the pilot must be lit and the gas control knob turned to ON.

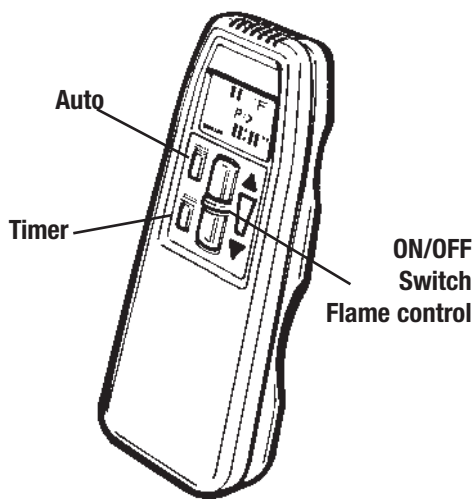


Illustration 18.2 Use the large buttons to turn the main burner ON or OFF and control flame height.

18. LIGHTING THE FIRE FOR REMOTE CONTROL OWNERS

Before performing any maintenance, turn the gas control knob to the “off” position. This will extinguish both the fire and the pilot flame. Wait until the Fireplace is cold before cleaning.

CLEANING THE EXTERIOR CAST IRON OR SOAPSTONE

The metal and soapstone exterior of the Cottage Franklin Gas Stove may be cleaned with a damp cloth. Any scratches on the soapstone surface may be removed with number 000 or 0000 steel wool. If you polish the surface of the soapstone, remove the dust with a vacuum cleaner rather than a damp cloth.

CHECK THE PILOT FLAME AND GAS LOG FLAMES PERIODICALLY

The flame pattern should resemble the pattern in diagram 19.1. One of the pilot flames should hit the thermocouple and the middle flame should angle up toward the main burner pan at the right front corner. Black carbon deposits on the logset are common, especially in LP burning stoves. Excessive loose build-up may have an impact on flame appearance. See “Cleaning the inside of the firebox” for cleaning instructions.

CLEANING THE GLASS

Do not clean the glass when it is hot. Always allow it to cool to room temperature.

It will be necessary to clean the ceramic glass occasionally. It is normal for condensation to form on the inside of the glass during a cold start-up. Sometimes dust or lint clings to the condensation. Residue from the initial paint curing inside the firebox can also leave a residue on the inside of the glass.

We recommend that you clean the glass after the first couple weeks of use. After the initial cleaning, the inside of the glass should require cleaning no more than once or twice a year.

To clean the glass, use a mild glass cleaner and a soft cloth. Do not use abrasive cleaners. Lift the front casting up, and pull the bottom of the casting out from the Fireplace. Remove the glass front by rotating the two spring loaded clips that hold the frame in place.

WARNING: Do not strike the glass front. Do not operate the Cottage Franklin Gas Stove with the glass front removed, cracked, or broken. Replacement of the glass front should be done by a licensed or qualified person. Do not use substitute