

Mini Franklin Gas Stove

OWNER'S MANUAL

Model 208



CERTIFIED TO AMERICAN NATIONAL
STANDARD Z21.88-2017
AND APPLICABLE PORTIONS OF UL307b



DANGER!



**HOT GLASS WILL
CAUSE BURNS.**

**DO NOT TOUCH GLASS
UNTIL COOLED.**

**NEVER ALLOW CHILDREN
TO TOUCH GLASS.**

A barrier designed to reduce the risk of burns from the hot viewing glass is provided with this appliance and shall be installed for the protection of children and other at-risk individuals.

This appliance may be installed in an aftermarket, permanently located, manufactured home (USA only) or mobile home, where not prohibited by local codes.

This appliance is only for use with the type of gas indicated on the rating plate. This appliance is not convertible for use with other gases, unless a certified kit is used.

INSTALLER: Leave this manual with the appliance.

CONSUMER: Retain this manual for future reference.

TESTED AND LISTED BY



WARNING!:

FIRE OR EXPLOSION HAZARD

Failure to follow safety warnings exactly could result in serious injury, death, or property damage

- Do not store or use gasoline or other flammable vapors and liquids in the vicinity of this or any other appliance.
- WHAT TO DO IF YOU SMELL GAS
 - Do not try to light any appliance.
 - Do not touch any electrical switch; do not use any phone in your building.
 - Immediately call your gas supplier from a neighbor's phone. Follow the gas supplier's instructions.
 - If you cannot reach your gas supplier, call the fire department.
- Installation and service must be performed by a qualified installer, service agency or the gas supplier.



66 Airpark Road, West Lebanon, NH 03784
email: info@gasstove.com

Tel: 800-866-4344
Fax: 603-298-5958

NOTICE! The installation of the Mini Franklin Gas Stove must conform with local codes, or in the absence of local codes, with the National Fuel Gas Code, ANSI Z233.1/NFPA 54.

The Mini Franklin Gas Stove must be vented with approved “direct-vent” pipe. Direct-Vent pipe has two concentric passageways which draw outside air in for combustion, and let exhaust gasses out.

Installation or replacement of gas piping, the gas stove, and repair or servicing of equipment shall be performed only by a qualified agency. The term “qualified agency” means any individual, firm, corporation, or company that either in person or through a representative is engaged in and is responsible for (a) installation or replacement of gas piping or (b) the connection, installation, repair or servicing of gas utilization equipment, who is experienced in such work, familiar with all precautions required, and has complied with all the requirements of the authority having jurisdiction.

Installation and repair should be done by a qualified service person. The appliance should be inspected before use and at least annually by a professional service person. More frequent cleaning may be required due to excessive lint from carpeting, bedding material, et cetera. It is imperative that control compartments, burners and circulating air passageways of the appliance be kept clean.

The Mini Franklin Gas Stove and its main gas supply valve must be disconnected from the gas supply piping system during any pressure testing of that system at test pressures in excess of 1/2 psi (3.5 kPa).

The Mini Franklin Gas Stove must be isolated from the gas supply piping system by closing its equipment shutoff valve during any pressure testing of the gas supply piping system at test pressures equal to or less than 1/2 psi (3.5 kPa).

An inlet pressure test point is provided on the gas control valve, immediately upstream of the gas supply connection to the Fireplace. An outlet pressure test point is also provided.

The Mini Franklin Gas Stove, when installed in a mobile home, must be electrically grounded in accordance with local codes or, in the absence of local codes, with the *National Electrical Code, ANSI/NFPA 70*.

A barrier designed to reduce the risk of burns from the hot viewing glass is provided with this appliance and shall be installed for the protection of children and other individuals at risk.

SAFETY PRECAUTIONS

- ◆ **This appliance is only for use with the type of gas indicated on the rating plate. This appliance may not be converted to use with other gasses unless a certified kit is used.**
- ◆ **This appliance is designed to burn either natural gas or propane. Do not attempt to burn wood, trash, or any other material in this appliance.**
- ◆ **This appliance may not be connected to a chimney serving a separate solid fuel-burning appliance.**

-
- ◆ **Due to high temperatures, the appliance should be located out of traffic and away from furniture and draperies.**
 - ◆ **Children and adults should be alerted to the hazards of high surface temperature and should stay away to avoid burns or clothing ignition.**
 - ◆ **Young children should be carefully supervised when they are in the same room as the appliance. Toddlers, young children, and others may be susceptible to accidental contact burns. A physical barrier is recommended if there are at-risk individuals in the house. To restrict access to a fireplace or stove, install an adjustable safety gate to keep toddlers, young children, and other at-risk individuals out of the room and away from hot surfaces.**
 - ◆ **Clothing or other flammable material should not be placed on or near the appliance.**
 - ◆ **The appliance area must be kept clear and free from combustible materials, gasoline, and other flammable vapors and liquids.**
 - ◆ **WARNING! Do not operate appliance with the glass front removed, cracked or broken. Replacement of the glass should be done by a licensed or qualified service person.**
 - ◆ **The flow of combustion and ventilation air must not be obstructed.**

-
- ◆ **Any safety screen or guard removed for servicing an appliance should be replaced prior to operating the appliance.**
 - ◆ **Do not use this appliance if any part has been under water. Immediately call a qualified service technician to inspect the appliance and to replace any part of the control system and gas control which has been under water.**
 - ◆ **CAUTION! Label all wires prior to disconnection when servicing controls. Wiring errors can cause improper and dangerous operation.**
 - ◆ **Verify proper operation after servicing.**

 SAFETY ALERT INDEX

- **DANGER!** INDICATES A HAZARDOUS SITUATION WHICH, IF NOT AVOIDED **WILL** RESULT IN DEATH OR SERIOUS INJURY.
- **WARNING!** INDICATES A HAZARDOUS SITUATION WHICH, IF NOT AVOIDED **COULD** RESULT IN DEATH OR SERIOUS INJURY.
- **CAUTION!** INDICATES A HAZARDOUS SITUATION WHICH, IF NOT AVOIDED, COULD RESULT IN MINOR OR MODERATE INJURY.
- **NOTICE:** USED TO ADDRESS PRACTICES NOT RELATED TO PERSONAL INJURY.

TO THE INSTALLING TECHNICIAN:

First, thank you from all of us at Woodstock Soapstone Co. for installing this Franklin Fireplace for one of our customers. If you have any questions about installation, please call us at 800-866-4344. Technical Support will be available from 9:00AM to 5:00PM Eastern Time, Monday through Saturday. At any other time, you may leave a message with our answering service with your phone number and the best time to call, and we will return your call during the next business day.

Please also take the time to go through the Warranty Checklist with the owner. This will validate the warranty, assure us and the owner that the installation was performed to local and national codes, and help familiarize the owner with the safe operation of this gas Fireplace.

Installation must conform to these instructions and local codes or, in the absence of local codes, with the current National Fuel Gas Code ANSI Z223.1.

We at Woodstock Soapstone Company are proud to manufacture top quality hearth products. When you install this Fireplace, we ask that you maintain our tradition of conscientious effort to make our customers happy with our product and service.

QUESTIONS:

800-866-4344

9:00 AM to 5:00 PM

Eastern Time

WARNING: This unit must be installed by a qualified gas technician in accordance with local codes or in the absence of local codes, with the most current edition of the National Fuel Gas Code ANSI Z223.1/NFPA 54.

TABLE OF CONTENTS

Section	Page	Section	Page
1) Code Approvals.....	2	13) Troubleshooting - Installer only.....	16
2) Specifications	2	14) Operating your Gas Fireplace.....	17
3) Tools Needed to Install the Fireplace.....	3	15) Lighting Instructions	18
4) Approved Venting/Chimney Materials	3	16) Safety Instructions	21
5) Approved Clearances for Inside Locations.....	4	17) Remote Control	22
6) Approved Venting/Chimney Configurations	6	18) Lighting the Fire for Remote Control Owners.....	24
7) Approved Venting/Chimney Terminal Clearances .10		19) Routine Maintenance	25
8) Assembling the Mini Franklin Gas Fireplace.....	11	20) Annual Inspection	27
9) Pre-Installation Inspection Checklist	12	21) Troubleshooting - Owner	28
10) Connecting the Gas Supply/Testing the Flame.....	12	22) Warranty	30
11) Air Shutter Adjustment / Screen Barrier.....	13-14	Appendix A - Parts List.....	31
12) Testing Check List and Warranty Registration..... (insert)		Appendix B - Remote Control Installation	33

1. CODE APPROVALS • Direct Vent • Natural Gas • LPG

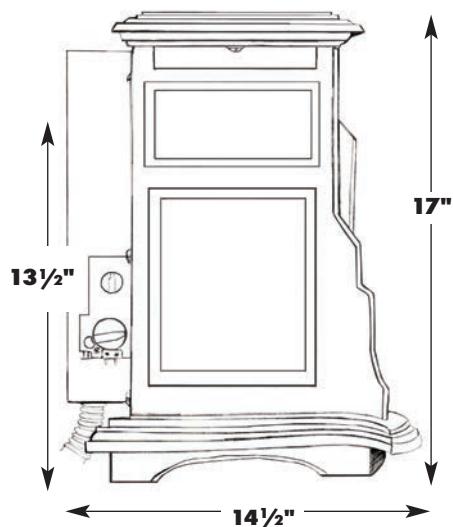


Illustration 2.1 Side View.

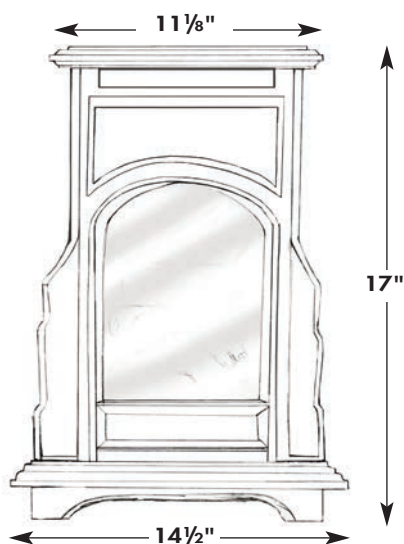


Illustration 2.2 Front View.

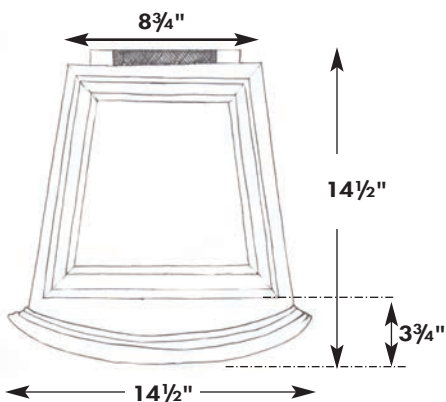


Illustration 2.3 Top View.

The Woodstock Mini Franklin Gas Stove is listed as a direct vent appliance. This type of appliance draws all of its air for combustion from outside of the dwelling through specially designed pipe. It can be used with natural gas or LPG (liquid propane gas).

Approved to: American National Standard Z21.88-2017

2. SPECIFICATIONS

For The Woodstock Mini Franklin Gas Stove:

FuelLiquefied Petroleum Gas (LPG)
Natural Gas (NG)

Manifold Pressure, LPG10.5" w.c.
 Manifold Pressure, NG3.5" w.c.

Minimum inlet supply pressure for input
 adjustment LPG11.0" w.c.

Minimum inlet supply pressure for input
 adjustment NG4.0" w.c.

Maximum inlet supply pressure LPG14.0" w.c.

Maximum inlet supply pressure NG14.0" w.c.

Input, Btu/Hr LPG Max.8,349
 (0 – 2,000 ft.) Min.6,677
 NG Max.10,201
 Min.7,349

Output, Btu/Hr LPG Max.5,458
 Min.4,435
 NG Max.6,648
 Min.4,654

Orifice size, LPG
 Sea level to 3000'#66 (0.0330)
 3001' to 6000'#68 (0.0310)
 6001' to 9000'#70 (0.0280)

Orifice size: NG
 Sea level to 2000'#53 (0.0595)
 2001' to 5000'#54 (0.0550)
 5001' to 9000'#55 (0.0520)

AFUE: (Annual Fuel Utilization Efficiency)LPG(77% minimum)

AFUE: (Annual Fuel Utilization Efficiency)NG(72% minimum)

Glass PanelHigh temperature ceramic glass

Weight, Fireplace only75 lbs.
 shipping88 lbs.

IgnitionStanding pilot with Piezo ignition

Hearth: The hearth immediately under the Stove should be constructed of non-combustible material - ceramic tile (not vinyl), stone, or metal. Protect wood, carpet or any combustible surface with a hearth that covers an area equal to the full width and depth of the Stove (14½" x 14½") or greater. A hearth pad of size 16 x 16 inch is recommended

Clearance to combustible materials

Front of Firebox	20"
Sides of Stove	2"
Rear of Stove	2"
Rear Corners of Stove	1.5"
Rear of 90 Degree Elbow	3"

3. TOOLS NEEDED TO INSTALL THE FIREPLACE

- Multi-meter (millivolt)
- Strap Wrench for Pipe Installation
- Manometer
- Gas Sniffer
- Phillips Screwdriver
- Glass Cleaner and Towels
- Flashlight
- Drill/Driver to install screws in first section of vent pipe
- 5/32" Allen Wrench*

* To install and adjust leveling screws in stove base

4. APPROVED VENTING/CHIMNEY MATERIALS

The venting/chimney system for your Mini Franklin Gas Stove must be constructed of Simpson Dura-Vent 3" x 4½" direct vent gas pipe. Direct vent pipe brings fresh air into the stove and vents exhaust gasses at the same time (see illustration 4.1). The Mini Franklin Gas Stove must be installed with this pipe to conform to safety requirements. The Mini Franklin Gas Stove may not be connected to a flue serving any other appliance.

Approved venting materials are available only from Woodstock Soapstone Company. No other manufacturer makes a residential gas stove of this size, so the pipe is unique to the Mini Franklin Gas Stove. Approved components are listed below.

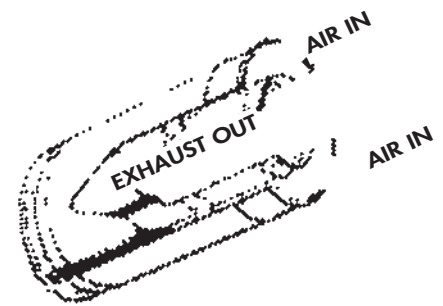


Illustration 4.1 *Direct-vent pipe sends exhaust out and brings air in at the same time.*

Description	Dura-Vent No.
<i>Standard Direct Vent Kit consists of:</i>	
1 4½" x 9" Straight Pipe	34GSS-09
1 4½" Wall Thimble	34GSS-3143I
1 4½" Wall Thimble Cover	34GSS-3143O
1 4½" Snorkel Termination	34GSS-SNK30

<i>Other Available Pipe:</i>	
4½" x 6" Straight Pipe	34GSS-06B
4½" x 9" Straight Pipe	34GSS-09B
4½" x 12" Straight Pipe	34GSS-12B

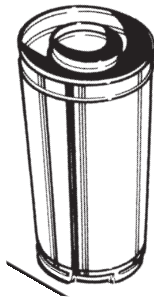


Illustration 4.2 All approved Simpson Dura-Vent Pipe has an inside passage to vent exhaust gasses, and an outside passage used to bring in fresh air for combustion.

4 ⁵ / ₈ " x 24" Straight Pipe	34GSS-24B
4 ⁵ / ₈ " x 36" Straight Pipe	34GSS-36B
4 ⁵ / ₈ " x 48" Straight Pipe	34GSS-48B
4 ⁵ / ₈ " x 11" - 14-5/8" Adjustable Pipe	34GSS-1114B
4 ⁵ / ₈ " x 17 - 24" Adjustable Pipe	34GSS-1724B
4 ⁵ / ₈ " x 45 Degree Elbow (Swivel)	34GSS-S45B
6 ⁵ / ₈ " x 90 Degree Elbow (Swivel)	34GSS-S45B
Horizontal Termination Cap	34GSS-HZC
Snorkel Termination Cap	
30" Rise	34GSS-SNK30
Vinyl Siding Standoff	34GSS-VSS
Support Box	34GSS-SB
Storm Collar	34GSS-SC
Adj Roof Flashing (0/12-6/12 pitch)	34GSS-06ARF
Adj Roof Flashing (7/12-12/12 steep pitch)	34GSS-712ARF
Vertical Termination Cap	34GSS-VTC

5. APPROVED CLEARANCES FOR INSIDE LOCATIONS

WARNING! Due to high temperatures, the Mini Franklin Gas Stove should be placed out of traffic and away from furniture, draperies and other combustibles.

The Mini Franklin Gas Stove is approved for venting in three configurations:

- (1) Up vertically and then elbow through an outside wall with a maximum vertical rise of 6 feet and maximum horizontal run of 3 feet. The ratio of rise to run must be a minimum of 2:1. Minimum specifications are 36 inch rise and 6 inch run.
- (2) Straight out the back through an outside wall and into a 30" vertical snorkel termination cap (maximum 2' horizontal run, with 1/4" rise per foot of run; a rear vent may include a 45 degree elbow for corner installation).
- (3) Straight up, with a maximum of a 10 foot rise above the flue outlet.

NOTE: Details for these three configurations start on page 5. No two installations are exactly alike. If you have any questions please call a customer service representative for assistance at 1-800-866-4344.

CLEARANCES TO COMBUSTIBLE MATERIALS

Front of Firebox	20"
Sides of Stove	2"
Rear of Fireplace	2"
Rear Corners	1.5"
Rear of 90 Degree Elbow	3"

WARNING: This unit must be installed by a qualified gas technician in accordance with local codes or in the absence of local codes, with the most current edition of the National Fuel Gas Code ANSI Z223.1/NFPA 54.

The surface of the Mini Franklin Gas Stove is hot when the appliance is in use. A safe installation requires that there be adequate clearances between the Mini Franklin Gas Stove and nearby combustible materials, so that combustible materials are not overheated. The diagrams that follow show minimum clearances between the Mini Franklin and nearby combustible materials.

Clearances for vent terminal locations are indicated in the diagram and chart on page 10.

Refer to the manufacturer's instructions regarding installation of your venting system through walls or ceilings. Use only Simpson Dura-Vent GS Direct-Vent Flue Systems.

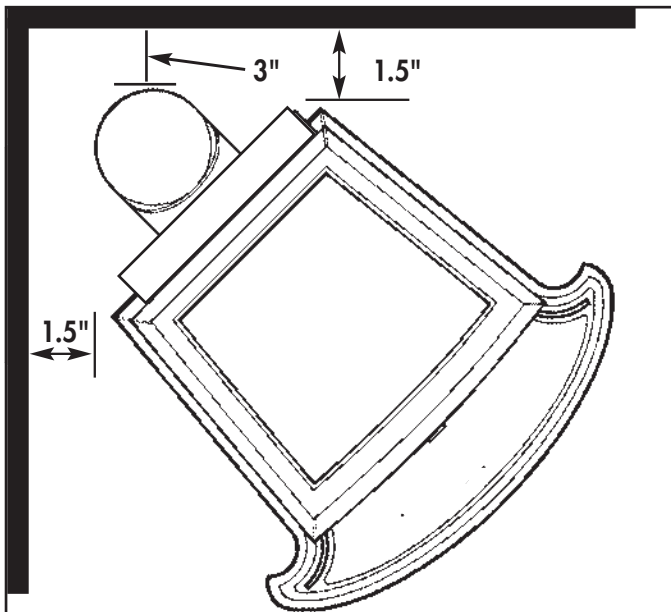


Illustration 5.1 *Minimum Clearances: Corner Installation*

A **Corner Installation**

Minimum Clearances

- Min. Clearance from corners to both side walls1.5"
- Pipe to wall (Vertical Vent).....3"

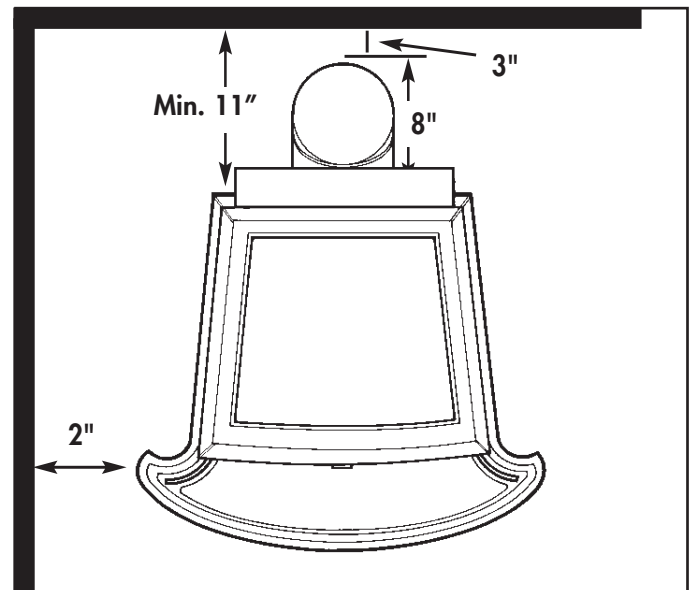


Illustration 5.2 *Minimum Clearances: Parallel Installation*

B **Parallel Installation**

Minimum Clearances

- Min. Clearance from back of pipe to wall.....3"
- Min. Clearance from Fireplace to side wall (Vertical vent).....2"
- Min. clearance from back of stove to wall (Straight vent).....11"

6. APPROVED VENTING/CHIMNEY CONFIGURATIONS

A. Side Wall Venting

In this venting configuration, the pipe rises directly from the back of the Stove. The exhaust travels up, through two elbows, and out through a side wall. See illustration at left.

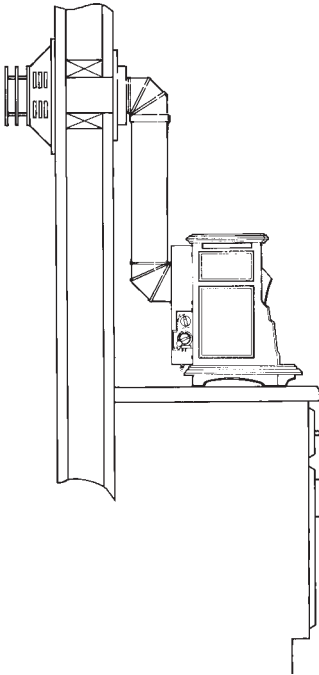


Illustration 6.1
Side wall venting configuration.



**ALL VENT CLEARANCES MUST BE MAINTAINED.
CHECK YOUR VENT CLEARANCES AGAINST THE
ILLUSTRATIONS ON PAGE 10.**

MINIMUM AND MAXIMUM DISTANCES

- Maximum rise6 feet
- Maximum recommended run3 feet
- Maximum number of 90 deg elbows.....2
(one attached to flue outlet; one to go out through wall)

Note 1. The ratio of rise to run should be a minimum of 2:1

- Wall Opening:
 - Masonry wall.....7" opening
 - Non-masonry wall.....framed to 10" x 10"

Refer to Simpson Dura-Vent instructions regarding installation of your Direct-Vent System.

Please note the following considerations for the location of the vent terminal:

1. The horizontal run must rise a minimum of 1/4" per foot of run toward the vent termination.
2. The termination must not be recessed into the exterior wall or siding.
3. Clearances must be maintained around the vent termination. See illustrations on page 10.
4. Vinyl Siding requires protection from vented heat above the termination. Use Simpson Dura-vent Vinyl Siding Heat Shield Kit, part 34GSS-VSS.

B. Side Wall Venting (straight back through wall into snorkel)

In this venting configuration, the pipe runs directly out the back of the Stove, through an outside wall and then up with a snorkel termination cap. See illustration at lower right.



**ALL VENT CLEARANCES MUST BE MAINTAINED.
CHECK YOUR VENT CLEARANCES AGAINST THE
ILLUSTRATIONS ON PAGE 10.**

The venting should be located so that people cannot be burned by accidentally touching hot vent surfaces while the Stove is in operation.

The vent termination must be placed so that it cannot be damaged by automobile doors, lawn mowers or yard equipment, or falling ice and snow.

MINIMUM AND MAXIMUM DISTANCES

- Maximum run24 inches
Note: Use of a 45 deg. elbow to install in a corner location is allowed
- Minimum Distance between the inside wall and the back of Fireplace2"
- Wall Opening:
Masonry wall7" opening
Non-masonry wallframed to 10" x 10"

Refer to the Simpson Dura-Vent instructions regarding installation of your Direct-Vent system.

Please note the following considerations for the location of the vent terminal:

1. The horizontal run must rise a minimum of 1/4" per foot of run toward the vent termination.
2. Clearances must be maintained around the vent termination. See illustrations on page 12.
3. The termination must not be recessed into the the exterior wall or siding.
4. Vinyl Siding requires protection from vented heat above the termination. Use Simpson Dura-vent Vinyl Siding Heat Shield Kit, part #950.

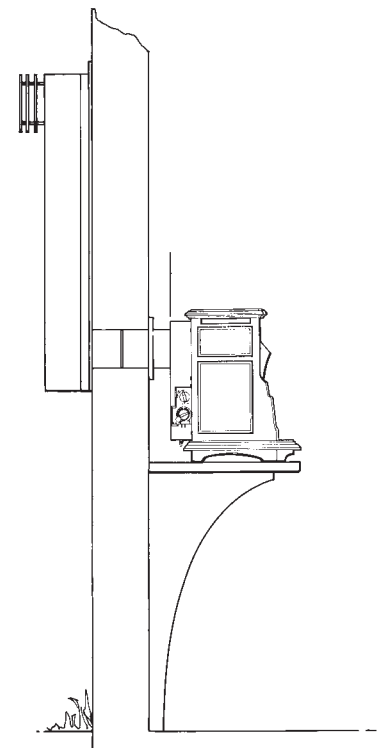
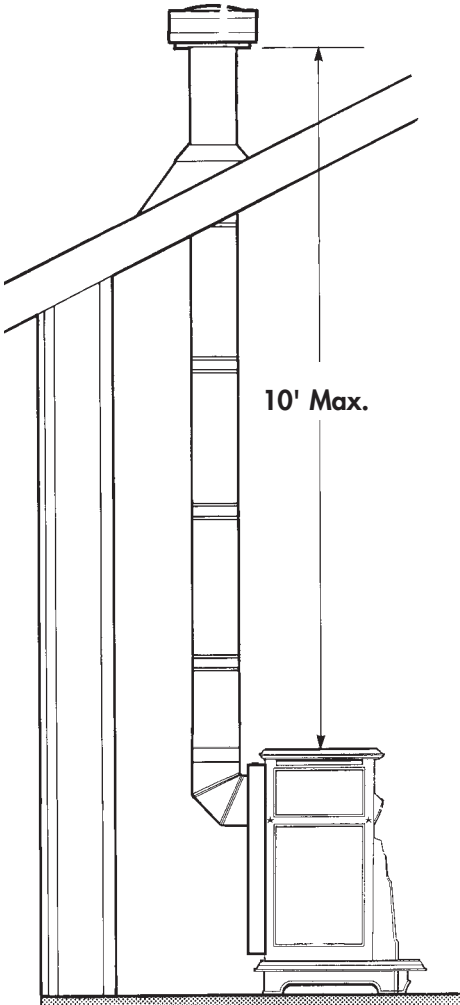


Illustration 6.2

If stove is vented straight back, Snorkel attachment is required.



C. Vertical Venting (straight up through roof)

In this venting configuration, the pipe rises directly from Stove and goes up through the roof, terminating above the roof. See illustration 6.3.

MINIMUM AND MAXIMUM DISTANCES

- Maximum vertical rise10'

Height of termination above roof must conform to chart below

Roof Pitch	A Minimum height from roof to lowest discharge opening
Flat to 6/12	1.0 feet
6/12 to 8/12	2.0 feet
8/12 to 10/12	3.0 feet
10/12 to 12/12	4.0 feet

*Max rise is 10'. No additional elbows are allowed.

Illustration 6.3
Vertical venting configuration.
(Max height 10')

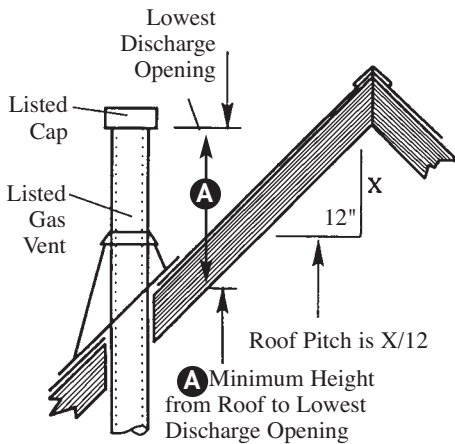



Illustration 6.4


**ALL VENT CLEARANCES MUST BE MAINTAINED.
CHECK YOUR VENT CLEARANCES AGAINST THE
ILLUSTRATIONS AT LEFT, AND PAGE 10.**

MANUFACTURED HOUSING INSTALLATION

The Mini Franklin Gas Stove may be installed in Manufactured Housing with the following supplemental requirements:

- (1) The appliance must be securely bolted to the floor or wall mount with steel straps secured to the leg bolts and to the floor with minimum 1/4" lag bolts. Contact Woodstock Soapstone Company for steel straps.
- (2) The appliance must be grounded to the manufactured home trailer frame with a No. 8 (minimum) solid conductor.

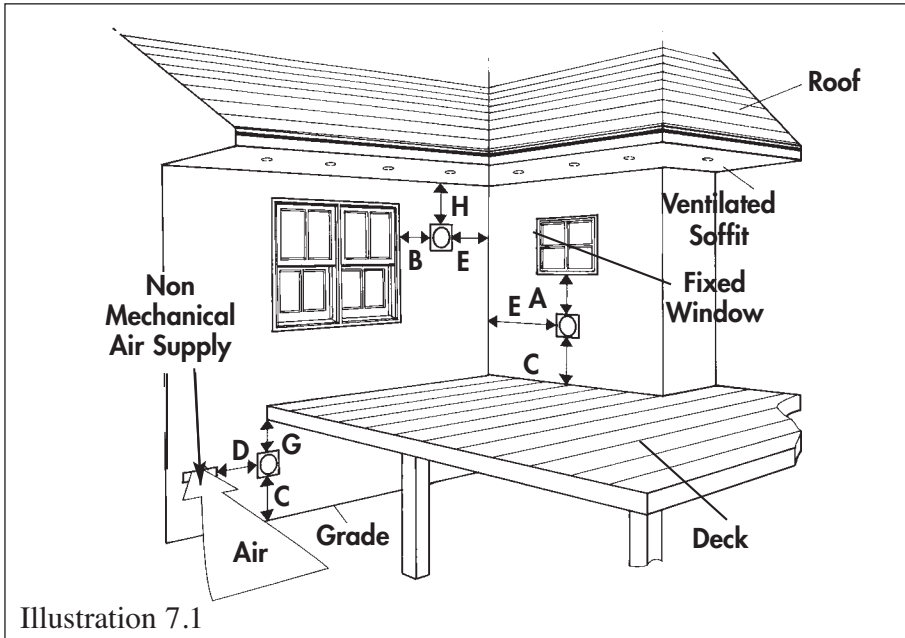
The Mini Franklin Gas Stove is currently approved only for venting with the components listed previously on pages 3 and 4. Install the vent system according to the manufacturer's instructions, which are included with the components.



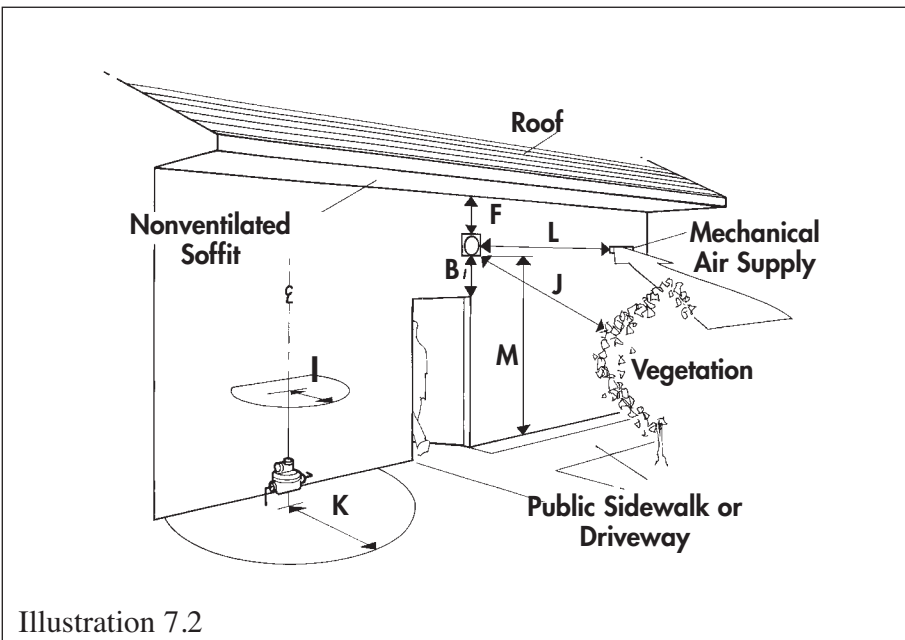
WARNING! This unit must be installed by a qualified gas technician in accordance with local codes or in the absence of local codes, with the most current edition of the National Fuel Gas Code ANSI Z223.1/NFPA 54.

Note: A manufactured home (USA only) or mobile home OEM installation must conform with the Manufactured Home Construction and Safety Standard, Title 24 CFR, Part 3280, or, when such a standard is not applicable, the Standard for Manufactured Home Installations, ANSI/NCSBCS A225.1, or Standard for Gas Equipped Recreational Vehicles and Mobile Housing, CSA Z240.4

7. APPROVED VENTING/CHIMNEY TERMINAL CLEARANCES



- A. Clearance to a permanently closed window12"
- B. Clearance to a window or door that may be opened12"
- C. Clearance above grade. Also, clearance over deck, porch, veranda or balcony12"
- D. Clearance to non-mechanical air supply inlet or combustion air inlet of any other appliance12"
- E. Clearance to inside corner or adjacent wall.....12"
- F. Clearance to a non-ventilated soffit12"
- G. Clearance below deck, porch, veranda, or balcony if completely open on two sides18"
- H. Clearance to ventilated soffit located above the terminal within a horizontal distance of 2 feet from the center of the terminal.....18"
- I. Clearance around a center line above service regulator .3 feet
- J. Clearance to vegetation..3 feet
- K. Clearance around a service regulator vent outlet6 feet
- L. Clearance to a mechanical air supply6 feet
- M. Clearance above a paved sidewalk or driveway on public property. May not terminate above a sidewalk or driveway which is between two single family dwellings and serves both dwellings7 feet



8. ASSEMBLING THE FIREPLACE

1. INSTALLING THE LOGSET

Your Mini Franklin Gas Stove has been carefully assembled by our craftsmen. Because of the fragile nature of the ceramic logset it is packaged separately to ensure safe shipping, and requires minor assembly. Please use the following instructions to ensure proper placement of the logset.

Remove the front casting by lifting straight up under the lip that extends over the glass panel.

The glass panel is held in place with two screws at the top and a rail at the bottom. Remove the two screws, and then remove the front glass panel and frame.

The burner pan is installed in the bottom of the firebox and is secured in place to ensure safe shipping. The logs should be placed on the burner using the locating pins in the burner to secure them to the burner.

2. REPLACE GLASS FRONT/FRONT CASTING

Once the tile and logset have been assembled the glass panel may be reinstalled. Be sure the bottom edge of panel fits snugly into bottom rail and clips are fastened securely. Replace the front casting.

3. INSTALLING OPTIONAL EQUIPMENT:

Installing optional remote control:

The Mini Franklin Gas stove may be equipped with an optional remote control. The remote has several functions. It can turn the burner on or off, regulate flame height or act as a timer/thermostat. The remote control system includes the remote transmitter, the remote receiver, and connecting wires.

If a remote control is added, the receiver must be wired to the gas controller. See complete instructions in Appendix B on page 33. Refer also to instructions for operation packaged with the remote control system.

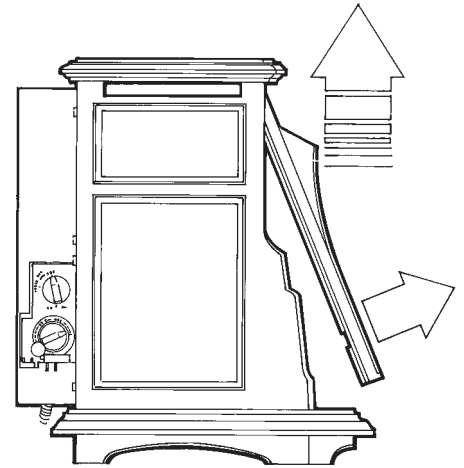
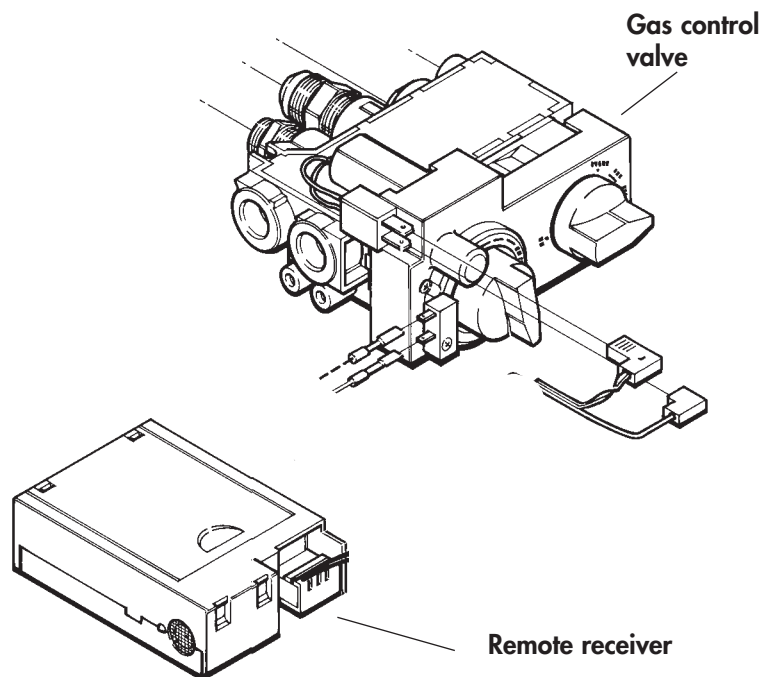


Illustration 8.1 To remove the front casting, lift straight up under the lip that extends over the top of the glass.



9. PRE-INSTALLATION INSPECTION CHECKLIST FOR INSTALLER

1. Check that both intake and exhaust venting are clear of any debris or other obstruction at the back of the Stove.
2. Check that the gas manifold is connected to both the controller and the orifice at the back wall of the Stove and is free from damage.
3. Check that the pilot gas tube, and thermocouple are properly connected to both the pilot assembly and gas controller.
4. Check that the piezo wire is connected to the pilot assembly.
Push in and turn right gas control knob counterclockwise to test for spark in the Firebox near the pilot.

10. CONNECTING THE GAS SUPPLY/ TESTING THE FLAME

1. CHECK THE GAS LINE PRESSURE BEFORE CONNECTING THE STOVE TO THE GAS LINE

The stove and its main gas valve must be disconnected from the gas supply piping system during any pressure testing of that system at test pressures in excess of 1/2 psia (3.5kPa). If the gas line pressure is too high it will rupture the gas control valve on the Stove.

Isolate the stove from the gas supply piping system by closing the shut-off valve during any pressure testing of the gas supply piping system at test pressures in excess of 1/2 psia (3.5kPa).

2. ATTACH GAS LINE TO THE CONTROL VALVE

The gas supply line is connected to the Stove gas control valve through a 1/2" flexible connector pre-attached to the valve using a 3/8" male NPT fitting. The gas supply line for either propane (LPG) or natural gas (NG) should be large enough to support (25,000 Btu) and should be connected with a male 1/2" 45 degree flare fitting. Consult local building codes to properly size the gas supply line.

3. TEST FOR LEAKS

Test for leaks using a sniffer, soapy water or an approved leak testing spray. Check each joint or connection from the main supply valve to the Stove. Check the connections on the control valve as well as those in the Stove in case one loosened in shipment. **Again, never test with an open flame.**

4. TEST PRESSURE THROUGH CONTROL VALVE

Test pressure to and through the control valve using a manometer on the test gauge taps on the control valve. The line must be tested as follows:

Propane (LPG or LP):
10.5" w.c. manifold pressure

11.0" w.c. minimum inlet supply for adjustment

Natural gas:

3.5" w.c. manifold pressure

4.0" w.c. minimum inlet supply for adjustment

5. LIGHT THE STOVE, FOLLOWING LIGHTING DIRECTIONS ON PAGE 21. (FRONT GLASS AND FRONT CASTING MUST BE IN PLACE PRIOR TO LIGHTING)

6. The Air Shutter covers the end of the venturi opening at the base of the Burner Pan and controls the air/fuel mixture. The Shutter has been pre-set to provide an optimum yellow flame at sea level when the Logset is warmed up.

If you are operating a Natural Gas Stove at an elevation other than sea level, it may be necessary to adjust the position of the air shutter. Wait fifteen minutes after first lighting the Burner to see if the flame changes from mostly blue to bright yellow. If it remains blue then there is too much air getting into the mix. If the flame turns orange or smoky then there is too little air getting into the mix.

Note: Allow Stove to cool before handling.



WARNING: This unit must be installed by a qualified gas technician in accordance with local codes or in the absence of local codes, with the most current edition of the National Fuel Gas Code ANSI Z223.1/NFPA 54.

11. AIR SHUTTER ADJUSTMENT

To adjust the amount of air, remove front casting, glass panel and logset assembly.

Carefully lift the burner pan up and out of the firebox, avoid damaging the orifice at the rear. The air shutter is located at the end of the venturi tube attached to the bottom of the burner pan.

Adjust the shutter by loosening the attachment screw which holds it to the venturi tube. Slidet the shutter open to allow more air into the venturi or closed to restrict the amount of air. Tighten screw.

Replace the burner pan by inserting the venturi under the back edge of the firebox and pushing it carefully over the orifice. Note: When the burner pan is properly located it will sit squarely in the firebox with equal space approximately 1/4" between the pan and the sides of the firebox.

The Screen Barrier for the Glass Front

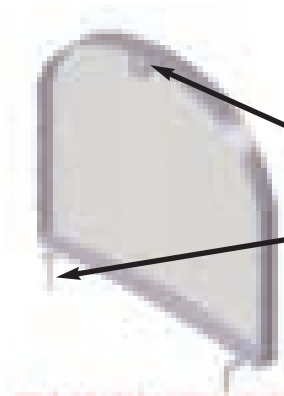
A screen barrier has been installed on the front of your Mini Franklin Gas Stove to reduce the risk of burn from the hot viewing glass. It has been installed at the factory for the protection of children and other at-risk individuals. It should not be removed.

If the screen barrier becomes damaged, it shall be replaced with the barrier made by Woodstock Soapstone Company for the Mini Franklin Gas Stove. The screen barrier is attached to the front casting, and should not be removed even to service the stove.

Installation and repair should be done by a qualified service person. The stove should be inspected before use and at least annually by a professional service person. More frequent cleaning might be required due to excessive lint from carpeting, bedding material, and so on. It is imperative that control compartments, burners and circulating air passageways be kept clean.

Note: clothing or other flammable material should not be placed on or near the appliance. Do not attempt to dry mittens or gloves by placing them on the stove.

The screen barrier is pictured below.



The screen barrier is held permanently in place with two clips at the bottom and one at the top.

12. TESTING CHECK LIST AND WARRANTY REGISTRATION

WARRANTY REGISTRATION

Owner Name: _____ Telephone: _____
 Address: _____

 Installer Name: _____
 Company _____ Telephone: _____
 Address: _____

 Stove Model: _____
 Serial #: _____ LPG _____ NG _____
 Purchase Date: _____ Installation Date: _____

TESTING CHECK LIST

	Installer	Owner
1. Check all gas connections, use soapy water or mechanical sniffer to check for leaks:		
a. Control valve connection	_____	_____
b. Main gas line valve	_____	_____
c. (other?)	_____	_____
2. Glass front:		
a. No damage to glass	_____	_____
b. All latches functioning properly	_____	_____
c. Glass securely in place in frame	_____	_____
d. Gasket even, snug against firebox	_____	_____
3. Safety controls:		
a. Pilot failure shuts off main valve	_____	_____
b. Pressure relief lid on the back of the firebox is properly seated, and not open.	_____	_____
4. Operate all valves and controls:		
a. Main supply line valve	_____	_____
b. Pilot control valve	_____	_____
c. Ignitor	_____	_____
d. Main burner	_____	_____
e. Flame HI-LO	_____	_____
f. Remote Thermostat	_____	_____

	Installer	Owner
5. Flame:		
a. Fifteen minutes after ignition, flames should have a blue/yellow appearance and with the flame control set on HIGH, the flames should be about 2" to 6" high.	_____	_____
(1). If the flames are totally blue, reduce the amount of air by adjusting the burner air shutter.		
(2). Orange-smoky flames: increase the amount of air to the burner by opening the burner air shutter.		
b. After up to one hour's burn, there should be no sign of soot.	_____	_____
If during that test burn the flame lengthens and becomes smoky, is more orange-yellow than yellow, or there is some collected soot after an hour, do the following:		
(1). Check that the log set is securely in place. If the logset is not exactly in the right place, the flame impingement will be wrong.		
(2). If log set is properly placed, adjust burner air shutter setting.		

This installation has been performed safely and to our satisfaction, signed:

 Installer, Date

 Owner, Date

*Please fold so that our return address shows. Tape the edges together and mail.
 No postage is necessary.*

BUSINESS REPLY MAIL

FIRST CLASS MAIL PERMIT NO. 21 W. LEBANON, NH

POSTAGE WILL BE PAID BY ADDRESSEE

Woodstock Soapstone Co., Inc.

AIRPORT BUSINESS PARK
66 AIRPARK ROAD
WEST LEBANON NH 03784-9984



NO POSTAGE
NECESSARY
IF MAILED
IN THE
UNITED STATES



13. TROUBLESHOOTING – INSTALLER ONLY

(CERTIFIED GAS TECHNICIAN ONLY)

PROBLEM	CAUSE	SOLUTION
Pilot will not light despite repeated clicking of ignitor.	1. Air in gas lines.	a. Bleed gas lines.
	2. No ignitor spark, either checked visually or proven by lighting the pilot with a match.	a. Check for loose or disconnected wires.
		b. Ignition wire is broken or corroded: replace.
		c. Misaligned electrode, wrong gap: gap should be 1/8".
3. Low gas pressure.	d. Electrode insulator is cracked or tip is corroded: replace electrode.	
	a. Wrong inlet pressure; adjust inlet pressure regulator to 4" w.c. for NG, 11" w.c. for LP.	
Pilot will not stay lit.	1. Low gas pressure.	a. Adjust inlet pressure regulator to 4" w.c. for NG, 11" w.c. for LP.
	2. Thermocouple not properly inserted in pilot assembly.	a. It must be placed so that the top 3/8" is engulfed in flame from the pilot.
	3. Thermocouple has dirty tip.	a. Clean with fine emery cloth.
	4. Defective thermocouple.	a. Check open circuit voltage with volt meter, should be between 18mV and 28mV with induced heat source applied. If less than 18mV, replace.
	5. Defective electromagnet, check operation as follows:	a. Verify open-circuit thermocouple voltage is between 18mV and 28mV with induced heat source applied. If so, electromagnet is faulty and valve must be replaced.
	6. Lack of oxygen.	a. Check venting for blockage, loose connections, and that configuration meets requirements for the stove.
	7. High wind.	a. Call Woodstock Soapstone Company for windguard options designed for your stove and installation.
Pilot burning, main burner will not light.	1. Gas Control knob in wrong position.	a. Check that gas control knob is "ON".
	2. Temperature set in remote transmitter is lower than room temperature, and remote set to Auto.	a. Increase set temperature on remote, go to manual mode, increase gas flow manually with switch, or knob on valve.
	3. Gas supply orifice is clogged.	a. Remove and blow out with compressed air or clean out with brush.

*Optional Equipment

PROBLEM	CAUSE	SOLUTION
Delayed Ignition of burner.	1. Burner pan is not in correct position (pilot cannot ignite fuel).	a. Reseat the burner pan following the instructions in the manual ensuring that the venturi is positioned over the orifice and pilot flame is running over the top surface of the burner pan.
	2. High Wind.	a. Call Woodstock Soapstone Company for wind guard options designed for your stove and installation.
	3. Low manifold pressure.	a. Use manometer to check output from controller. Must be 3.5" w.c. for N.G. and 10.5" w.c. for LP. (Check inlet pressure first).
	4. Low pilot flame.	a. Adjust the setting of the "pilot" valve on the controller. (Check inlet pressure first).
	5. Flame Impingement (logset position).	a. If the logset is covering the pilot output contact Woodstock Soapstone for information.
Odor.	1. Pressure relief lids not seated correctly.	a. Confirm pressure relief lids on top of and at the rear of firebox are properly seated.
	2. Curing of paint and gasket cement.	a. It is normal to experience an odor for the first few hours of constant use; this will discontinue with normal use.
Low flame or flame goes out after a short burn.	1. Venting is blocked or interrupted.	a. Check that the pipe joints are locked together and free from obstruction. The inner pipe is more critical than the outer wall. b. Be sure that the pipe system is completely without interruptions from the fireplace to the outside termination cap.
	2. Low gas pressure.	a. Confirm inlet pressure. b. Make sure the gas storage tank is not too low. (Under 20%). c. Check for moisture in gas supply system. d. Check for contaminants in gas supply system.
Sporadic changes of flame level/lifting of flame.	1. High wind.	a. Shut off fireplace system and wait for wind to die down. b. Call Woodstock Soapstone Company for wind guard options designed for your stove and installation.
	2. Pressure relief lid out of position.	a. Confirm pressure relief lid at the rear of firebox is properly seated.

14. OPERATING YOUR GAS FIREPLACE

BEFORE YOU USE YOUR GAS FIREPLACE

1. Determine that the gas shut-off valve is in the open position (there may be more than one shut-off valve between the Fireplace and the main gas supply; make sure all are turned on).
2. If the Fireplace has not been used for some time, there will be air in the gas supply line. This will be automatically purged when you light the pilot.
3. Smell for gas, especially near the floor if you are using LPG (propane) as it is a heavy gas and any leaked gas would stay near the floor. Natural gas is lighter than air and will rise. If you smell gas, do not attempt to light the appliance. Follow "What to do if you smell gas" instructions shown on the cover of the manual.

15. LIGHTING INSTRUCTIONS

FOR YOUR SAFETY READ BEFORE LIGHTING

WARNING: IF YOU DO NOT FOLLOW THESE INSTRUCTIONS EXACTLY, A FIRE OR EXPLOSION MAY RESULT CAUSING PROPERTY DAMAGE, PERSONAL INJURY OR LOSS OF LIFE.

This appliance has a pilot. When lighting the pilot, follow these instructions exactly.

BEFORE OPERATING, smell all around the appliance area for gas. Be sure to smell next to the floor because LP gas is heavier than air and will settle on the floor.

WHAT TO DO IF YOU SMELL GAS:

Do not try to light any gas appliance.

Do not touch any electric switch; do not use any phone in your building.

Immediately call your gas supplier from a neighbor's phone. Follow the gas supplier's instructions.

If you cannot reach your gas supplier, call the fire department.

Use only your hand to push in or turn the gas control knob. Never use tools. If the knob will not push in or turn by hand, don't try to repair it. Call a qualified service technician. Force or attempted repair may result in fire or explosion.

Do not use this appliance if any part has been under water. Immediately call a qualified service technician to inspect the appliance and to replace any part of the control system and any gas control that has been under water.

**BEFORE LIGHTING YOUR STOVE READ THESE INSTRUCTIONS CAREFULLY!
DO NOT LIGHT THE STOVE IF YOU SMELL GAS!**

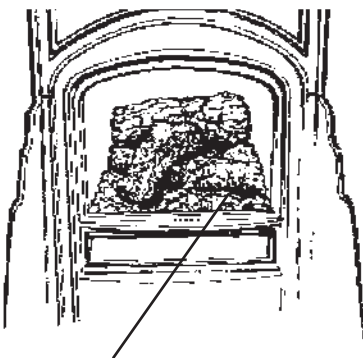
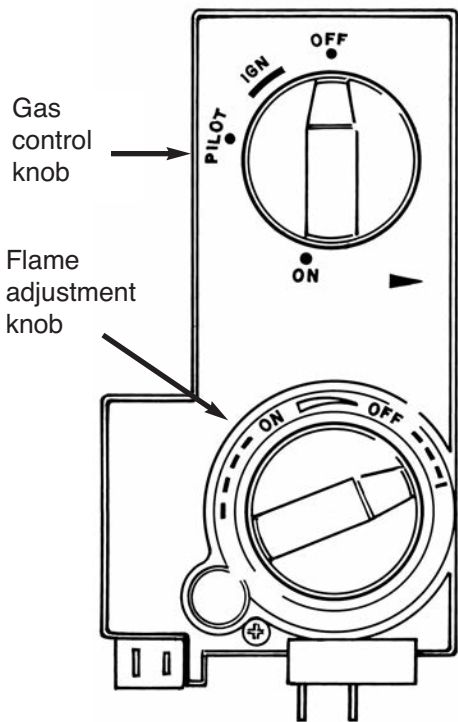
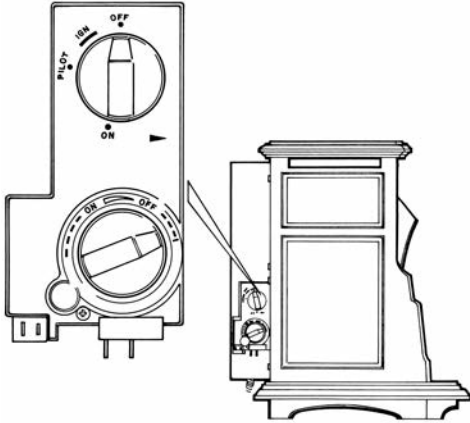
TO LIGHT THE PILOT

1. PUSH THE GAS CONTROL KNOB IN COMPLETELY AND WHILE THE KNOB IS PUSHED IN, TURN IT **REPEATEDLY** COUNTERCLOCKWISE FROM "IGN" TO "PILOT". EACH TIME YOU TURN THE KNOB TO "PILOT" YOU WILL HEAR A CLICK AS IT PRODUCES A SPARK.

- When you push the control knob in, you are letting gas into the firebox.
- Each time you turn the knob to the left and hear a click, you are producing a spark.

2. IF THE PILOT DOES NOT LIGHT IN THE FIRST 5-6 SECONDS, **STOP**.

- Turn the control knob to the "OFF" position. Wait 5 minutes for the gas to dissipate before attempting to light the stove again.



Look for Pilot here.

– If you attempt to light the stove too soon the accumulated gas will ignite, causing an explosion.

3. WHEN THE PILOT LIGHTS, CONTINUE TO HOLD THE KNOB IN FOR 10 SECONDS SO THE PILOT WILL STAY LIT.

- When the pilot lights a small flame will be visible below the logset at the right front corner of the firebox.
- Depressing the gas control for 10 seconds after the pilot is lit warms the thermocouple.
- Release the knob. The pilot will remain lit.

TO LIGHT THE BURNER

1. CONFIRM THE PILOT IS LIT.

- The pilot must be lit before the burner will light.
- Follow instructions above if pilot is not lit.

2. TURN THE GAS CONTROL KNOB COUNTERCLOCKWISE FROM "PILOT" TO "ON". THE BURNER WILL IGNITE

- If flames do not appear in 10 seconds it may be necessary to turn the flame adjustment (left) knob counterclockwise until flames appear.

NOTE: Flame height can be controlled manually at the control panel using the left knob; at the rear of the stove using the HI/LO - ON/OFF switch; or with the optional remote control.

NOTE: Knob cannot be turned from "PILOT" to "OFF" unless depressed slightly. Do not force or use tools.

TO TURN OFF GAS TO APPLIANCE

To turn the main burner off manually turn the ON-PILOT-OFF knob clockwise to pilot. In this position the flames from the main burner will be extinguished, but the pilot will remain lit. The left flame adjustment knob may also be used to turn the burner off by turning it clockwise until it stops. The optional remote control can also extinguish the main burner by simply holding the flame adjustment button in the LO position until the flames go out.

CAUTION: HOT WHILE IN OPERATION. DO NOT TOUCH. KEEP CHILDREN, CLOTHING, FURNITURE, GASOLINE AND OTHER LIQUIDS HAVING FLAMMABLE VAPORS AWAY.

WARNING: Improper installation, adjustment, alteration, service or maintenance can cause injury or property damage. Refer to the owner's information manual provided with this appliance. For assistance or additional information consult a qualified installer, service agency or the gas supplier.

CAUTION: Do not operate this appliance with glass removed, cracked or broken. Replacement of the panel(s) should be done by a licensed or qualified service person.

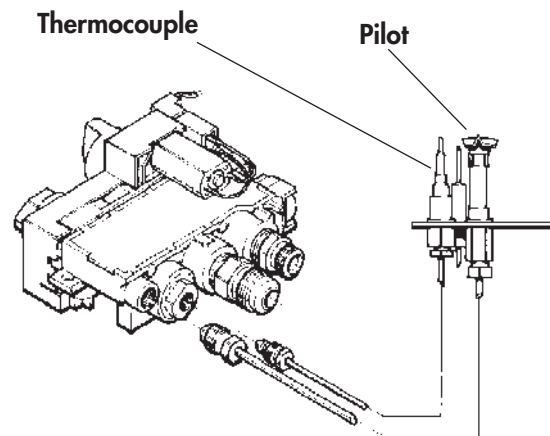


Illustration 15.3 *The pilot is located next to the thermocouple. The pilot flame is visible on the right side of the firebox.*

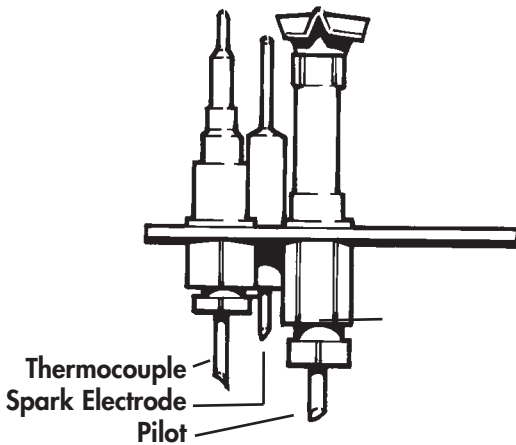


Illustration 15.4 *The pilot assembly is located on the right side of the firebox.*

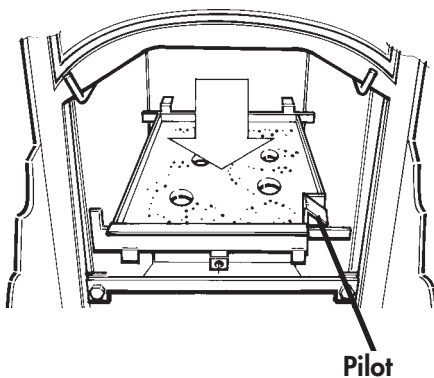


Illustration 15.5 *When the pilot is lit, the flame will be clearly visible at the right side of the firebox, just to the right side of the burner pan.*

Technical Note:

HOW THE PILOT SAFETY CONTROL WORKS: When lit, the pilot flame warms a thermocouple. The heated thermocouple produces a small electrical current that activates an electromagnet which keeps the pilot gas supply valve open. When you hold down the control knob after the pilot initially lights, you are manually keeping open the gas supply until the thermocouple warms up enough to automatically keep the gas supply valve open.

Should the pilot blow out, the thermocouple will cool and the electromagnet will close the gas supply valve and shut off the supply of gas. If pilot goes out after being lit long enough to warm the thermocouple, the thermocouple must cool down before the electromagnet will allow the gas valve to reopen. This safety mechanism can take up to 30 seconds and produces an audible “click”.

ADDITIONAL NOTES

1. Check that the flames are evenly distributed. In LP burning stoves they will be mostly blue for the first 15 minutes and then will change to yellow/orange. NG stoves will remain very blue/translucent. There may be a slight amount of condensation on the glass. This will disappear when the fireplace heats up.
2. If this is the first time you have burned your new fireplace for any length of time, you may smell the fireplace paint curing. This is normal and will go away within a few hours.
3. The adhesive on the window gasket will also take a few days to cure. This process will create an unpleasant odor. This is normal and will go away after about 10 to 12 hours of use on High.
4. **To completely shut off the Stove**, including the pilot, turn the Gas Control Knob to the “OFF” position. It is a good idea to turn the Gas Control Knob to “OFF” and turn the manual gas valve on the supply line to “OFF” if the stove will not be used for any length of time. This turns off the pilot, the burner, and the gas supply.

WARNING

Do not attempt to decrease flame size or heat output by closing the manual gas supply valve. This valve should always be in a fully open position while the appliance is in operation.



16. SAFETY INSTRUCTIONS

FOR YOUR SAFETY READ BEFORE OPERATING

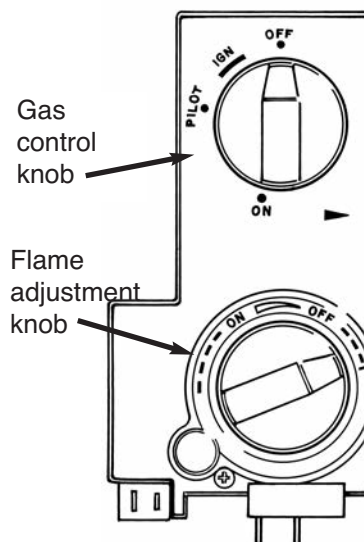
WARNING: If you do not follow these instructions exactly, a fire or explosion may result causing property damage, personal injury, or loss of life.

- A. This appliance has a pilot that must be lighted by hand. When lighting the pilot, follow these instructions exactly.
- B. **BEFORE OPERATING** smell all around the appliance area for gas. Be sure to smell next to the floor because some gas is heavier than air and will settle on the floor.
- WHAT TO DO IF YOU SMELL GAS**
- Do not try to light any gas appliance.
 - Do not touch any electric switch; do not use any phone in your building.
 - Immediately call your gas supplier from a neighbor's phone. Follow the gas supplier's instructions.
 - If you cannot reach your gas supplier. Call the fire department.
 - C. Use only your hand to push in or turn the gas control knob. Never use tools. If the knob will not push in or turn by hand, don't try to repair it. Call a qualified service technician. Force or attempted repair may result in a fire or explosion.
 - D. Do not use this appliance if any part has been under water. Immediately call a qualified service technician to inspect the appliance and to replace any part of the control system and any gas control that has been under water.

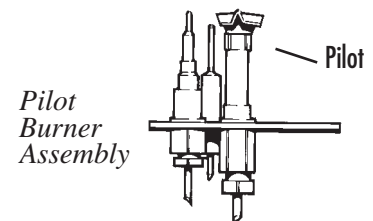
LIGHTING INSTRUCTIONS


1. STOP! Read the safety information on the panel above.
2. Push in gas control knob slightly and turn clockwise  to "OFF".
NOTE: Knob cannot be turned from "PILOT" to "OFF" unless knob is pushed in slightly. Do not force.
3. Wait five (5) minutes to clear out any gas. Then smell for gas, including near the floor. If you then smell gas. STOP! Follow "B" in the safety information above on this label. If you don't smell gas, go to the next step.
4. Push gas control knob in completely and turn counterclockwise  repeatedly from "IGN" to "PILOT" (audible click)
5. Find pilot. The pilot is located below the logset in the forward right corner area of the firebox.
6. Continue to hold the control knob in for

about 10 seconds after the pilot is lit. Release knob and it will pop back up. Pilot should remain lit. If it goes out, repeat steps 4 and 5.



- * If knob does not pop up when released, stop and immediately call your service technician or gas supplier.
- * If the pilot will not stay lit after several tries, turn the gas control knob to "OFF" and call your service technician or gas supplier.



7. Turn gas control knob counter clockwise  to ON, turn flame adjustment knob counter clockwise until flames appear.

TO TURN OFF GAS TO APPLIANCE

Push in gas control knob slightly and turn clockwise  to "OFF."

NOTE: Knob cannot be turned from "PILOT" to "OFF" unless knob is pushed in slightly. Do not force.

Turn manual gas supply valve off if stove will not be used for an extended length of time.

17. REMOTE CONTROL

REMOTE CONTROL UNIT

The Mini Franklin gas stove is available with an optional remote control. The remote can adjust flame height, turn the main burner on and off when pilot is lit, as well as function as a timer or thermostat for your stove.

The remote control unit has two main components, a remote transmitter (see diagram 17.1) and a receiver.

The battery operated remote control has two main parts:

1. The Remote Transmitter
(1- 9 volt battery)
2. The Remote Receiver
(4 AA batteries)

THE REMOTE TRANSMITTER HAS THE FOLLOWING FEATURES:

Main Control Pad

- “ON-OFF” “HI-LO” buttons
- Mode indicators
- Ambient temperature read out
- Thermostat temperature setting
- Clock
- Timer
- Battery condition

Detailed instructions for setting and operating the remote control unit are located under the sliding cover on the back of the transmitter.

The 9V battery is also located under the cover. Further instructions are included from the manufacturer.

A wiring diagram for installation can be found on page 33 in this manual. (Appendix B)

The Remote Receiver must be installed in order to operate the Fireplace using a Remote Transmitter.

Once the remote control receiver has been wired into the control valve, and the transmitter has been properly set it can be used to control the stove in several ways.

- Flame adjustment - the height of the flames can be adjusted up and down using the large buttons on the transmitter. This will regulate the heat output of the stove. If the flame is adjusted to the minimum the main burner flame will be extinguished. The burner will re-ignite when the flame adjustment is increased.
- As a thermostat - A specific temperature can be maintained automatically using the remote control unit. Once a desired

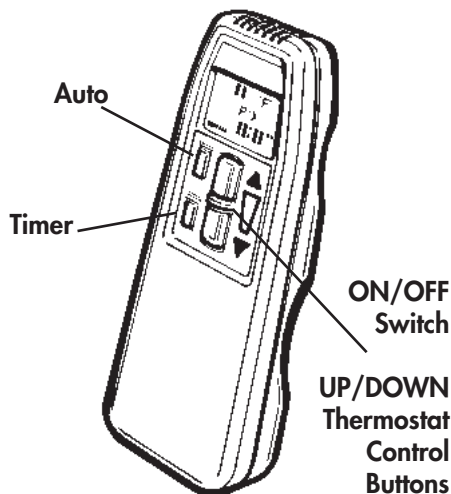


Illustration 17.1 The remote transmitter controls flame height, and acts as a thermostat.

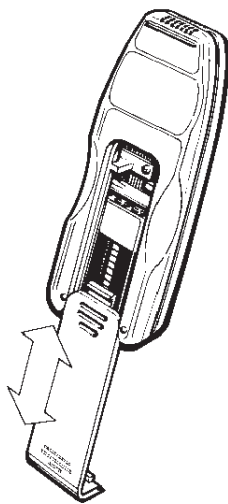


Illustration 17.2 The transmitter battery (9V) and programming instructions are under the sliding cover.

temperature has been set in the transmitter the stove will automatically cycle on and off and/or adjust flame height to maintain it.

- As a timer - specific on and off times can be pre-set in the transmitter and will be maintained in this mode.

NOTE: If either set of batteries fail in the Transmitter or Receiver the Remote Transmitter will not function.

CAUTION: If the batteries fail in either your Remote Transmitter or the Remote Receiver, the Fireplace will continue doing whatever it was doing when the batteries failed. If it was burning, it will continue burning until you manually turn it off. If it was off, it will remain off. There is no immediate danger in this situation. You could come home to either a very warm house or, if the Fireplace is your sole source of heat, a very cold house which offers the eventual danger of frozen water pipes.

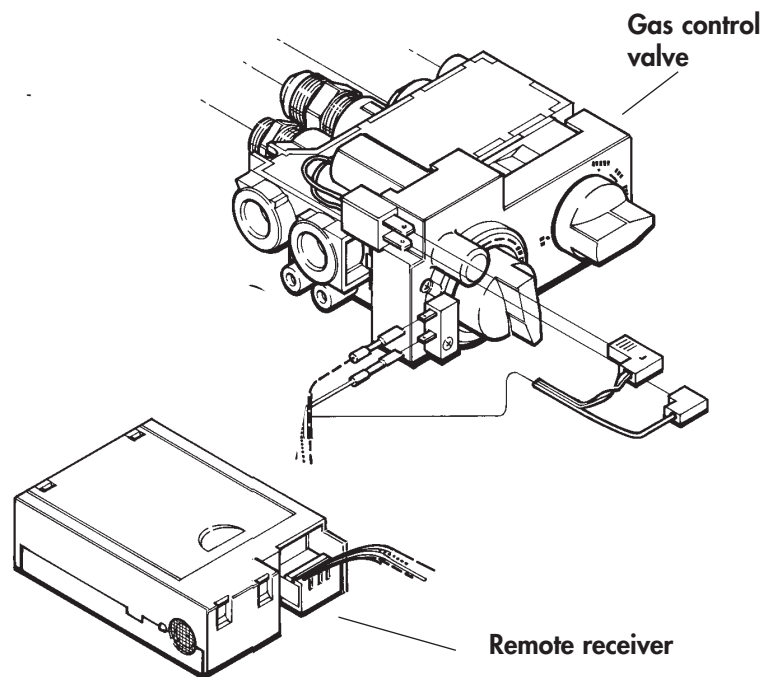


Illustration 17.3 Remote Receiver Wiring

18. LIGHTING THE FIRE FOR REMOTE CONTROL OWNERS

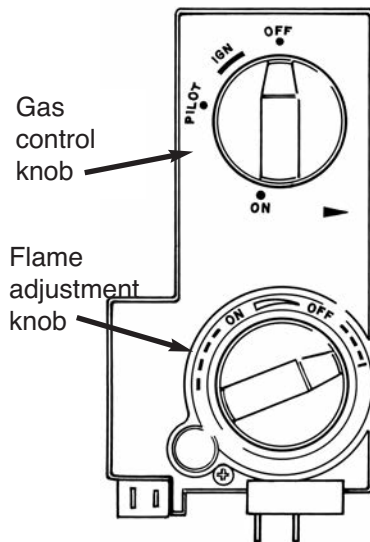


Illustration 18.1 To light the main burner with the remote the pilot must be lit and the gas control knob turned to ON.

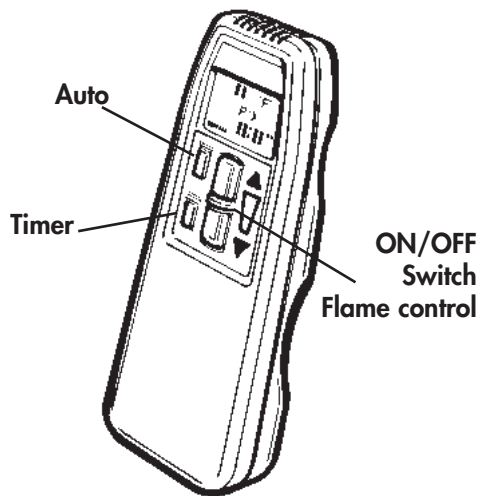


Illustration 18.2 Use the large buttons to turn the main burner ON or OFF and control flame height.

To light the main burner with the optional remote:

Confirm the pilot is lit. If not lit, follow instructions for lighting pilot on page 21.

Turn the right gas control knob counterclockwise to the ON position.

Use the flame adjustment button on the remote to increase gas flow until flames appear. If flames appear immediately when the gas control knob is turned to the ON position the remote can then be used to control the flame height and turn the burner ON or OFF with the large flame adjustment buttons.

Check that the flames are evenly distributed. They will be mostly blue for the first 15 minutes and then will change to yellow/orange. There may be a slight amount of condensation on the glass. This will disappear when the fireplace heats up.

Flame height can be controlled manually at the control panel using the left knob; at the rear of the stove using the HI/LO - ON/OFF switch; on with the optional remote control.

If this is the first time you have burned your new fireplace for any length of time, you may smell the fireplace paint curing. This is normal and will go away within a few hours.

SHUTTING THE FIRE OFF FOR REMOTE CONTROL OWNERS

You may use any one of the following methods to shut the fire off:

To turn the burner off using the remote simply adjust the flame to the minimum until it is extinguished. To turn off the pilot as well as the main burner, the gas control knob must be pushed in and turned from the ON position through PILOT to OFF. If the stove will not be used for any length of time, it is a good idea to shut off the valve on the gas supply line. This turns off the burner, pilot, and gas supply.

19. ROUTINE MAINTENANCE

Before performing any maintenance, turn the gas control knob to the “off” position. This will extinguish both the fire and the pilot flame. Wait until the Fireplace is cold before cleaning.

CLEANING THE EXTERIOR CAST IRON OR SOAPSTONE

The metal and soapstone exterior of the Mini Franklin Gas Stove may be cleaned with a damp cloth. Any scratches on the soapstone surface may be removed with number 000 or 0000 steel wool. If you polish the surface of the soapstone, remove the dust with a vacuum cleaner rather than a damp cloth.

CHECK THE PILOT FLAME AND GAS LOG FLAMES PERIODICALLY

The flame pattern should be relatively even. One of the pilot flames should hit the thermocouple and the middle flame should angle up toward the main burner pan at the right front corner. Black carbon deposits on the logset are common, especially in LP-burning stoves. Excessive loose build-up may have an impact on flame appearance. See “Cleaning the inside of the firebox” for cleaning instructions.

CLEANING THE GLASS

Do not clean the glass when it is hot. Always allow it to cool to room temperature.

It will be necessary to clean the ceramic glass occasionally. It is normal for condensation to form on the inside of the glass during a cold start-up. Sometimes dust or lint clings to the condensation. Residue from the initial paint curing inside the firebox can also leave a residue on the inside of the glass.

We recommend that you clean the glass after the first couple weeks of use. After the initial cleaning, the inside of the glass should require cleaning no more than once or twice a year.

To clean the glass, use a mild glass cleaner and a soft cloth. Do not use abrasive cleaners. Lift the front casting up, and pull the bottom of the casting out from the Fireplace. Remove the glass front by rotating the two spring loaded clips that hold the frame in place.

WARNING: Do not strike the glass front. Do not operate the Mini Franklin Gas Stove with the glass front removed, cracked, or broken. Replacement of the glass front should be done by a licensed or qualified person. Do not use substitute materials when replacing the front glass and frame assembly.



When the Mini is operating properly, the flame pattern will look approximately like the drawing above.

Use only the correct Woodstock Soapstone Company part #G-140 Robax Ceramic Glass/Frame Assembly.

If the ceramic front glass becomes cracked or damaged, follow the instructions below to remove the frame and damaged glass.

INSTRUCTIONS TO CLEAN, REMOVE OR REPLACE GLASS FRONT:

The glass front on the Franklin Gas Stove consists of a fully gasketed piece of ceramic glass, fastened with RTV Silicone adhesive to a steel frame. If glass needs cleaning, use regular glass cleaner or, for stubborn film, we offer a gas window cleaner. Do not use abrasive cleaners. Never clean the glass when the glass is hot.

To replace the glass front and frame:

- (1) Remove the front casting. Lift up the front casting, and swing the bottom out. (See illustration 19.2.)
- (2) Remove the two screws that hold the glass frame in place. (See illustration 19.3.)
- (3) Lift frame and glass out of Glass Window Retainer.
- (4) Insert new or replacement frame and glass into Glass Window retainer. The Glass Frame will line up with the edge of the Firebox Frame. Keep the edges properly aligned to achieve the best seal.
- (5) Screw the new frame in place.
- (6) Replace front casting. Slide top tab up under the top frame, and then swing the bottom in behind the arched retaining rail.

CLEANING THE INSIDE OF THE FIREBOX

The firebox should be cleaned annually. Follow these steps:

1. Turn off gas supply.
2. Remove glass front (See illustration 19.2/3.).
3. The logset and burner are fragile and must be handled with care. A soft bristle brush may be used delicately to remove any dust or lint or loose black carbon deposits which may accumulate. Do not use a vacuum on the logs or ember bed.
4. Vacuum the inside of the firebox thoroughly.
5. Check that all gas ports are clear.
5. If glass needs cleaning, use regular glass cleaner or, for stubborn film, we offer a gas window cleaner. Do not use abrasive cleaners. Never clean the glass when the glass is hot.
6. Replace log set and glass.

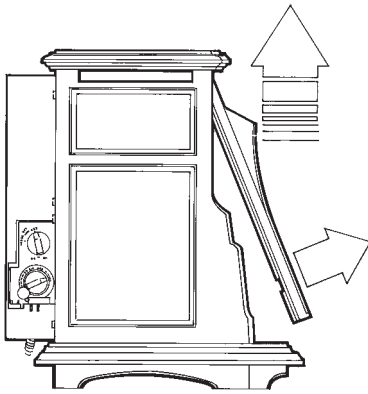


Illustration 19.2 To remove the front casting, lift straight up under the lip that extends over the top of the glass.

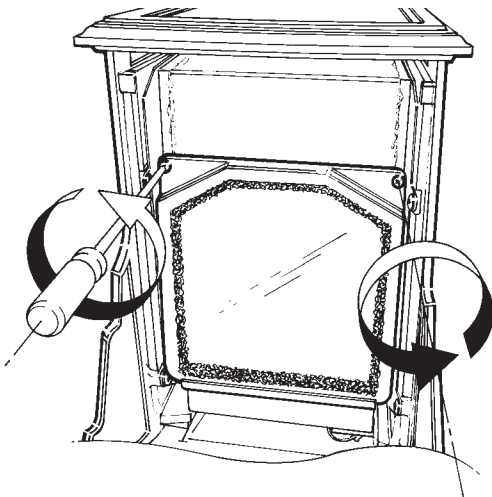


Illustration 19.3 The glass front is held in place by two screws

20. ANNUAL INSPECTION

ANNUAL INSPECTION

The Mini Franklin Gas Stove and venting system should be inspected before use, *and at least annually by a qualified field service person* to ensure that the flow of combustion and ventilation air is not obstructed, the venting components are in good condition, and that the appliance is working properly.

The technician should inspect and ensure that the lighting of the main burner occurs within 4 seconds of the main gas valve opening. Visual inspection should match that outlined on page 25.

The technician should also check all gas tubes, connection, pipes and other components for leaks.

Glass Cleaning

Clean the glass window with a suitable fireplace glass cleaner. Abrasive cleaners must not be used. Be careful not to scratch the glass when cleaning.

Annual Burner and Pilot Inspection and Cleaning

In order to properly clean the burner and pilot assembly, you will have to turn off the gas supply to the appliance, and remove the front casting, the glass front, the logs and ceramic burner assembly to expose the pilot assembly.

Clean all foreign materials from the top of the burner and from the pilot assembly with a soft brush. Vacuum any dust, lint or debris. Check to be sure the burner and burner orifice are clean. If the pilot orifice becomes plugged, disassembly may be required.

The technician should check to be sure that the flame safety system works, and that the safety shutoff occurs within 30 seconds of flame failure.

Annual Vent System Inspection

During the annual servicing, a qualified technician should inspect the vent pipe to be sure that both the inside exhaust channel and the outside air intake channel are clean and free of obstructions. All parts should be checked for wear, corrosion, or deterioration. At the end of inspection the venting components should be reassembled and re-sealed according to the Simpson Dura-Vent instructions.

21. TROUBLESHOOTING – OWNER

These are troubleshooting problems you could check before calling a technician. If these do not work, you must call in a qualified gas technician.

PROBLEM	SOLUTION
<ul style="list-style-type: none"> • Pilot will not light even though gas control knob has been depressed and turned repeatedly. Wait five minutes for gas to dissipate, then do the following before retrying. 	<ol style="list-style-type: none"> 1. Confirm that you are following the pilot lighting instructions on page 21. 2. Make certain the gas supply is turned on. 3. If you are using propane, make sure tank is not too low. (Under 20%) 4. Verify the ignitor wire is properly connected and undamaged. 5. The ignitor spark may be checked visually at the right front of the firebox with the logset removed.
<ul style="list-style-type: none"> • Pilot will not stay lit when first trying to light it. 	<ol style="list-style-type: none"> 1. Gas control knob not held down long enough for thermocouple to heat up to keep pilot gas valve turned on. (About 10 seconds after being lit). 2. Pilot gas knob not fully depressed.
<ul style="list-style-type: none"> • Burner refuses to light, pilot is working. 	<ol style="list-style-type: none"> 1. Turn left flame adjustment knob counterclockwise until flames appear. 2. Be sure temperature set in remote control is higher than room temperature; adjust flame height with remote, flame adj. Knob, or switch on back of stove. 3. If options 1 and 2 have been checked turn off the pilot immediately. Orifice or manifold may be obstructed. Turn the left flame adjustment knob to “off” and call a qualified technician to remove either part and clear obstruction.
<ul style="list-style-type: none"> • Burner flame too low. 	<ol style="list-style-type: none"> 1. Flame adjustment knob set at “LO”, Turn knob counterclockwise to increase. 2. Check vent pipe for possible blockage or loose connections. 3. Call a qualified technician to check gas pressures.
<ul style="list-style-type: none"> • Glass has white residue on inside. 	<ol style="list-style-type: none"> 1. Usual causes are contaminants in the combustion air. Contaminants (called aldehydes) could be from garden fertilizers or sprays, paint, any dust that is combustible.

PROBLEM	SOLUTION
<ul style="list-style-type: none"> • Glass has white residue on inside <i>(continued)</i> 	<ol style="list-style-type: none"> 2. Contaminants from paints or sealants used in manufacturing the Fireplace. Clean with glass cleaner.
<ul style="list-style-type: none"> • Glass has brown residue inside. 	<ol style="list-style-type: none"> 1. Over long periods of time (months), this may occur if you are burning LP gas because it has more impurities than natural gas. You will need to clean the glass more often. 2. This can result rapidly if the flame is not properly adjusted or there are other conditions that generate soot. Adjustments should be made by a service technician.
<ul style="list-style-type: none"> • Pungent odor. 	<ol style="list-style-type: none"> 1. Confirm pressure relief lids on top of and at the rear of firebox are properly seated. 2. Partial burning of aldehydes (See “Glass has white residue...” immediately above). 3. This condition may mean that carbon monoxide is present. 4. Call gas technician to check gas connection and installation. <p>Note: During the first few days of operation, there will be an odor generated by the curing process. This is normal and will abate.</p>
<ul style="list-style-type: none"> • Soot accumulating up on walls or furniture. 	<ol style="list-style-type: none"> 1. Your gas Fireplace and venting system are sealed so that it is virtually impossible for soot to come from them. The most common source for this complaint turns out to be from burning candles. 2. If you do not ever burn candles or do not have other open flames, check for the presence of soot in your Fireplace's firebox. If there is, look for a gasket leak around the glass or where the vent pipe exits the Fireplace. If there is a leak, there would likely be soot evident in the area of the leak.
<ul style="list-style-type: none"> • If you have a Carbon Monoxide (CO) sensor alarm, and it sounds. 	<ol style="list-style-type: none"> 1. Incomplete or interrupted combustion of aldehydes <ol style="list-style-type: none"> a. Ventilate room until aldehydes are all burned off, that is, until the pungent odor is gone. b. A gas technician should check gas connection and installation.

22. WARRANTY

Your Woodstock Soapstone Gas Fireplace has been carefully tested and inspected prior to shipment to you. We take pride in every Fireplace we build but our greatest satisfaction comes from our customers' continued happiness with their Woodstock Soapstone Stoves. In addition to this limited warranty, you have our assurance that we will be here to assist you in the installation, operation and maintenance of your Woodstock Soapstone Stove for the life of the Fireplace. Our customer service team is always happy to answer your questions.

Should you discover a defect, please call us for instruction about return and replacement of the defective part. We will replace free of cost any part that is defective in material or workmanship for one year from date of shipment. If you take delivery during the late spring or summer, we will extend the warranty start date to Thanksgiving of that year. If you find that you will be starting up your Fireplace later than Thanksgiving, please let us know by calling or writing us and giving us your projected installation and start up date. We will then confirm to you, in writing, an extended warranty expiration date.

We further warrant that each Fireplace is exactly as we have represented it. If you are not completely satisfied with the appearance, quality or performance of your Fireplace, you may return it within 30 days of delivery.

If your Fireplace is shipped by common carrier, it is insured against damage in transit. We will repair or replace any Fireplace damaged in transit. Please inspect your Fireplace carefully on receipt and report any damage to us within three days of receipt.

This Warranty does not cover damage caused by abuse or neglect or if your Fireplace was installed or used contrary to the instructions in your owner's manual.

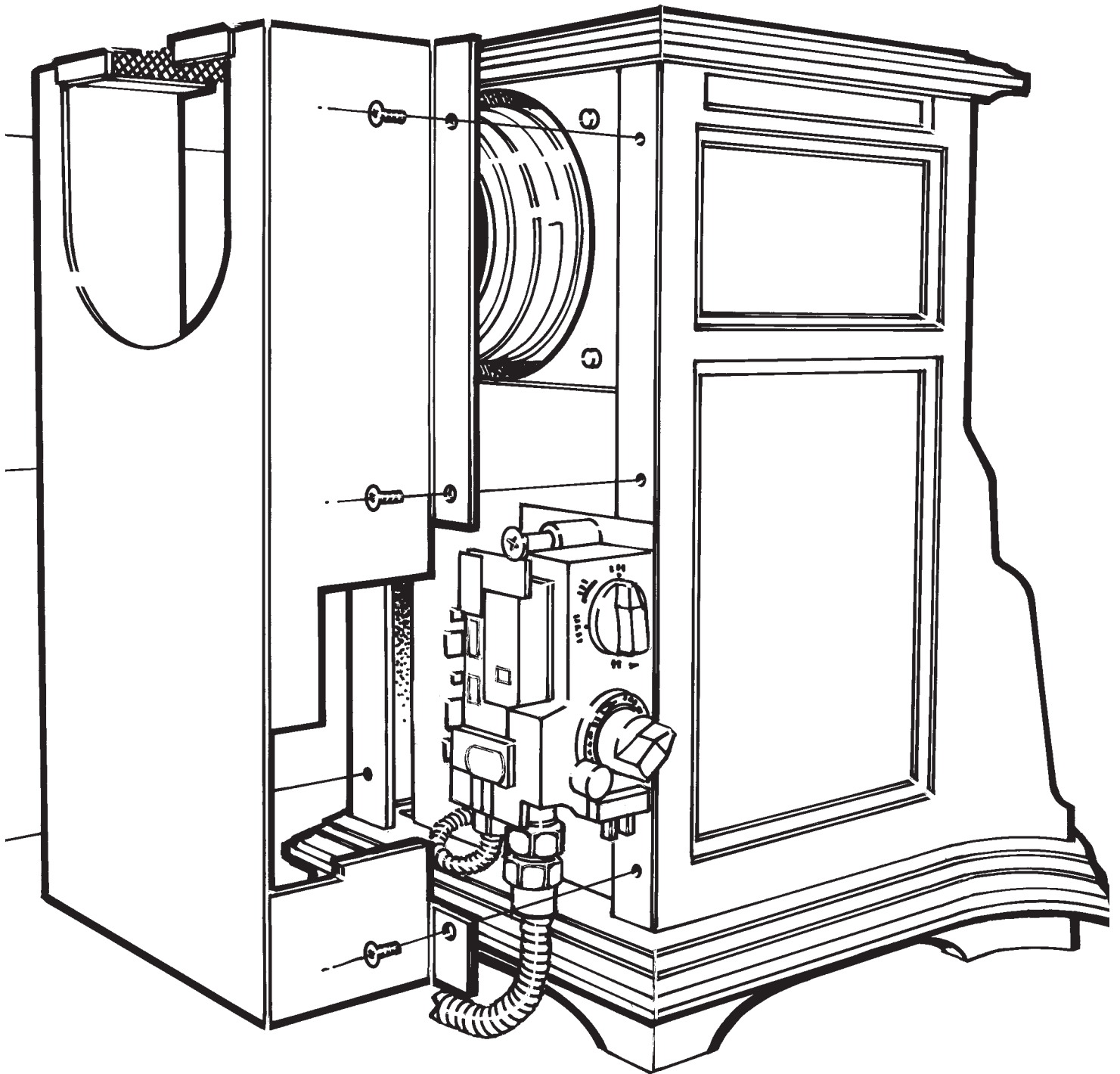
Woodstock Soapstone Company employees have no authority to offer any warranty or remedy that varies from those covered here. This Warranty is not transferable.

Woodstock Soapstone Company will not be liable for incidental and consequential damages. (This may not apply to you if you live in a state that does not allow the exclusion of incidental and consequential damages).

This warranty gives you specific legal rights. You may have other rights which vary from state to state.

This limited warranty is in strict accordance with the Moss-Magnuson Warranty Act.

APPENDIX A. PARTS LIST AND REAR EXPLODED VIEW DIAGRAM



Parts List

Mini Franklin Direct Vent Fireplace **WARNING: Do not use substitute materials.**

STONE

G-307	Top Soapstone
G-307A	Front Soapstone (upper)
G-307B	Front Soapstone (lower)
G-308A	Right Side Soapstone (set)
G-308B	Right Side Soapstone (set)

CAST IRON

G-301	Base
G-302	Left Side Wall
G-303	Right Side Wall
G-304	Top
G-305	Front

SHEET METAL

G-306	Firebox
G-310	Pressure Relief Door
G-312	Control Valve Mounting Plate
G-313	Outer DV Flue Adapter
G-314	Inner Sleeve Adapter
G-316	Window Frame
G-317	Top Stone Retainer
G-318	Top Heat Shield
G-319L	Left Inner Side Shield
G-319R	Right Inner Side Shield
G-320	Outer Side Heat Shield
G-321	Under Front Stone Retainer
G-322	Under Front Heat Shield
G-323	Over Front Heat Shield
G-324	Rear Panel with Grille
G-334	Bottom Heat Shield

MISCELLANEOUS

G-272/273	Pilot Assembly
G-20d/e/f	Cap Orifice
G-325	Venturi Tube
G-326	Manifold Tube
G-330	Flex Line w/ Coupler
G-331	MF C1 Burner Pan Gasket
G-332a	Ember Bed
G-332b	Logset
G-333	Maxitrol Valve w/ 4 port option
G-336	Aluminum Port Plugs/Caps
G-337a	LP-Minimum Rate Screw
G-337b	NG-Minimum Rate Screw

GLASS

G-315	Glass
-------	-------

GASKET

G-2101	.375MX Fiberglass
G-2102	.187 Fiberglass Gasket
G-2103	.500 Fiberglass Gasket
G-2104	Flat Fiberglass Gasket
G-2105	Fiberglass Window Gasket
G-335	Pilot Assembly Gasket

ACCESSORIES

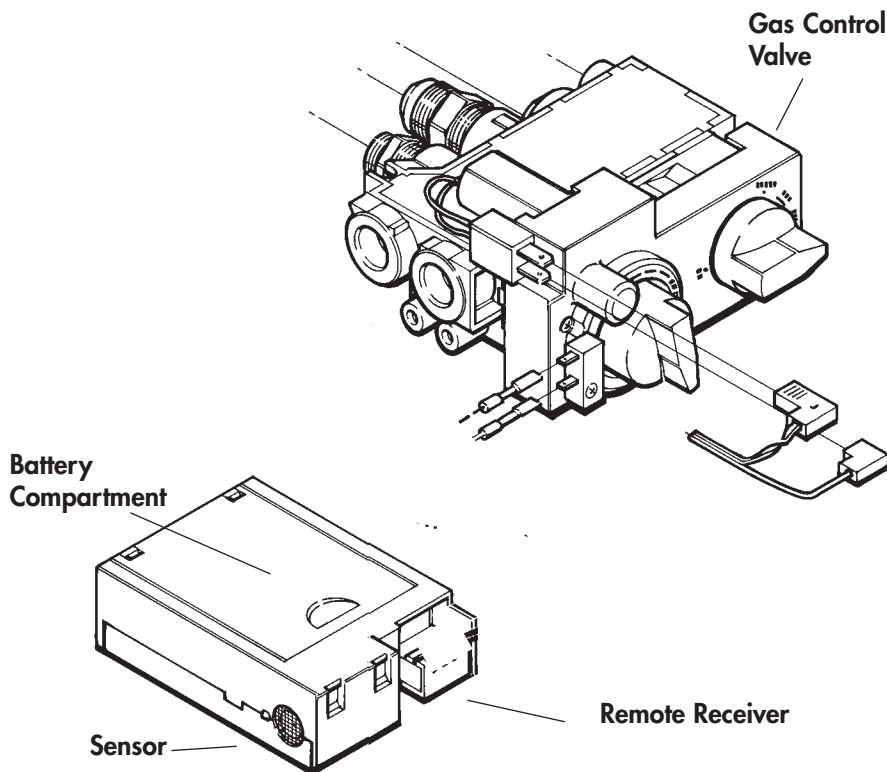
G-475	Remote Control (Maxitrol) & Receiver
G-476	Connecting Cable for Remote

To order parts, or for
information about parts or
service, please contact:

Woodstock Soapstone Company, Inc.
66 Airpark Road
West Lebanon, NH 03784

Tel: 800-866-4344
Fax: 603-298-5958

APPENDIX B. WIRING DIAGRAM - REMOTE CONTROL UNIT



INSTALLATION INSTRUCTIONS FOR OPTIONAL REMOTE CONTROL RECEIVER

If you choose the optional remote control unit, installation is as easy as connecting the remote receiver and installing batteries in the transmitter and receiver.

Note: Removal of front casting will make installation easier.

Connecting the Remote Receiver:

The remote control unit consists of two components: A) the remote transmitter (requires one 9V battery); B) the remote receiver (requires four AA batteries). Connection to the stove is made with a wiring harness also included.

- 1.) Locate the wiring harness and the two “L” shaped blade connectors. Connect the larger “L” shaped connector to the larger male blade connector on the control valve as shown above. Connect the smaller “L” shaped connector to the smaller male blade connector just below the larger one.
- 2.) The two smaller female connectors on the wiring harness correspond to the two male connectors located on the left side of the control valve next to the left flame adjustment knob. Firmly attach the connectors on the wiring harness to the control valve. It makes no difference which is on top.
- 3.) Connect the wiring harness to the receiver. The wiring harness used to connect the receiver has a large plastic plug on one end, and four smaller connectors at the other. With the sensor opening facing toward you at the

right end of the receiver, slide the large plastic plug (wire side pointing up) firmly over the green tab on the right side of the receiver. Note: Plug will fit securely in only one position.

- 4.) Install required batteries after all wire connections have been made. The 9V battery for the transmitter is placed under the sliding cover on the back. There is also a battery compartment under the sliding cover on the receiver for the four AA batteries. Alkaline batteries are recommended.
- 5.) Test your remote. The green LED on the receiver should light when a signal is received from the transmitter. Try pressing the large flame adjustment buttons on the transmitter. The left flame adjustment knob on the control valve should turn up or down as the buttons are pressed.

If the LED does not light or the flame adjustment knob does not turn when buttons are pressed check all connections and/or battery strength. The receiver sensor opening must be able to receive sound waves, be sure it is not obstructed.

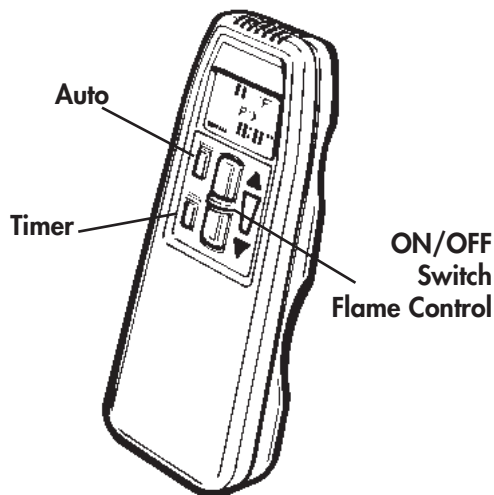


Illustration 18.2 Use the large buttons to turn the main burner ON or OFF and control flame height.

Illustration 18.3 Remember that both the remote control and the remote receiver need batteries!

