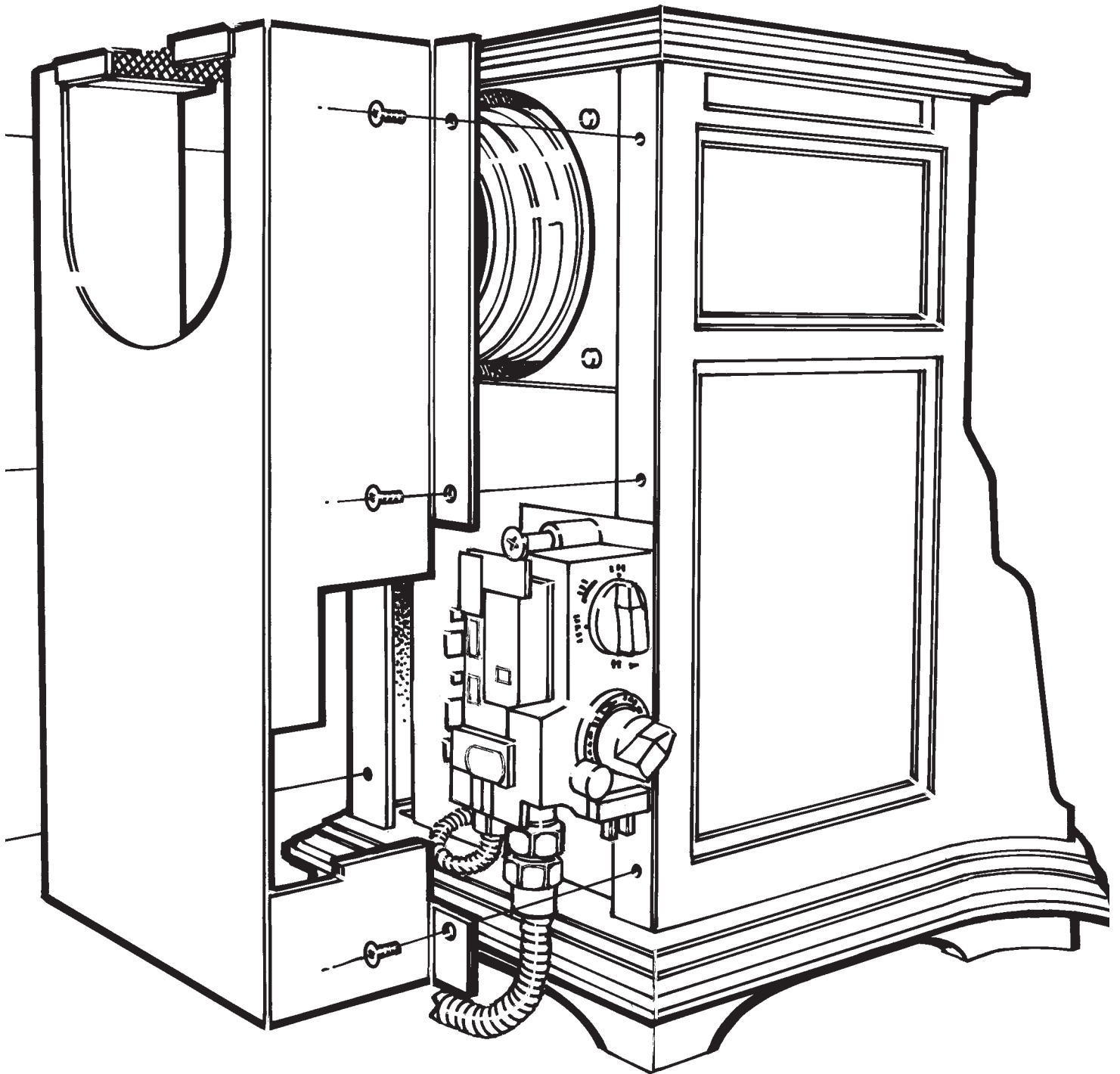


APPENDIX A. PARTS LIST AND REAR EXPLODED VIEW DIAGRAM



## Parts List

### Mini Franklin Direct Vent Fireplace **WARNING: Do not use substitute materials.**

#### **STONE**

G-307	Top Soapstone
G-307A	Front Soapstone (upper)
G-307B	Front Soapstone (lower)
G-308A	Right Side Soapstone (set)
G-308B	Right Side Soapstone (set)

#### **CAST IRON**

G-301	Base
G-302	Left Side Wall
G-303	Right Side Wall
G-304	Top
G-305	Front

#### **SHEET METAL**

G-306	Firebox
G-310	Pressure Relief Door
G-312	Control Valve Mounting Plate
G-313	Outer DV Flue Adapter
G-314	Inner Sleeve Adapter
G-316	Window Frame
G-317	Top Stone Retainer
G-318	Top Heat Shield
G-319L	Left Inner Side Shield
G-319R	Right Inner Side Shield
G-320	Outer Side Heat Shield
G-321	Under Front Stone Retainer
G-322	Under Front Heat Shield
G-323	Over Front Heat Shield
G-324	Rear Panel with Grille
G-334	Bottom Heat Shield

#### **MISCELLANEOUS**

G-272/273	Pilot Assembly
G-20d/e/f	Cap Orifice
G-325	Venturi Tube
G-326	Manifold Tube
G-330	Flex Line w/ Coupler
G-331	MF C1 Burner Pan Gasket
G-332a	Ember Bed
G-332b	Logset
G-333	Maxitrol Valve w/ 4 port option
G-336	Aluminum Port Plugs/Caps
G-337a	LP-Minimum Rate Screw
G-337b	NG-Minimum Rate Screw

#### **GLASS**

G-315	Glass
-------	-------

#### **GASKET**

G-2101	.375MX Fiberglass
G-2102	.187 Fiberglass Gasket
G-2103	.500 Fiberglass Gasket
G-2104	Flat Fiberglass Gasket
G-2105	Fiberglass Window Gasket
G-335	Pilot Assembly Gasket

#### **ACCESSORIES**

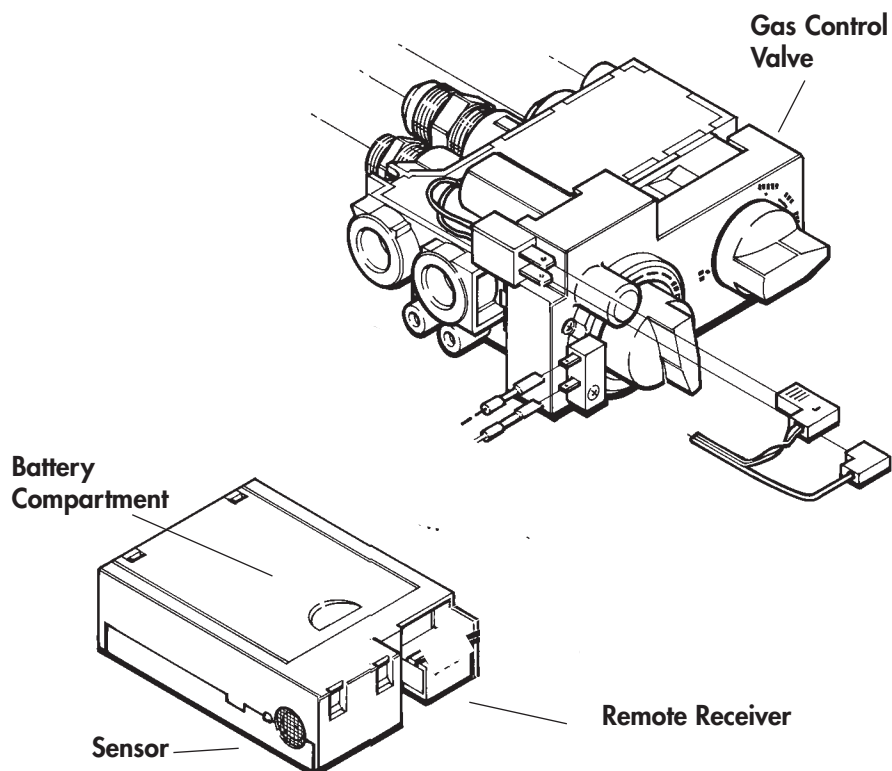
G-475	Remote Control (Maxitrol) & Receiver
G-476	Connecting Cable for Remote

To order parts, or for  
information about parts or  
service, please contact:

Woodstock Soapstone Company, Inc.  
66 Airpark Road  
West Lebanon, NH 03784

Tel: 800-866-4344  
Fax: 603-298-5958

## APPENDIX B. WIRING DIAGRAM - REMOTE CONTROL UNIT



### INSTALLATION INSTRUCTIONS FOR OPTIONAL REMOTE CONTROL RECEIVER

If you choose the optional remote control unit, installation is as easy as connecting the remote receiver and installing batteries in the transmitter and receiver.

**Note: Removal of front casting will make installation easier.**

Connecting the Remote Receiver:

The remote control unit consists of two components: A) the remote transmitter (requires one 9V battery); B) the remote receiver (requires four AA batteries). Connection to the stove is made with a wiring harness also included.

- 1.) Locate the wiring harness and the two “L” shaped blade connectors. Connect the larger “L” shaped connector to the larger male blade connector on the control valve as shown above. Connect the smaller “L” shaped connector to the smaller male blade connector just below the larger one.
- 2.) The two smaller female connectors on the wiring harness correspond to the two male connectors located on the left side of the control valve next to the left flame adjustment knob. Firmly attach the connectors on the wiring harness to the control valve. It makes no difference which is on top.
- 3.) Connect the wiring harness to the receiver. The wiring harness used to connect the receiver has a large plastic plug on one end, and four smaller connectors at the other. With the sensor opening facing toward you at the

right end of the receiver, slide the large plastic plug (wire side pointing up) firmly over the green tab on the right side of the receiver. Note: Plug will fit securely in only one position.

- 4.) Install required batteries after all wire connections have been made. The 9V battery for the transmitter is placed under the sliding cover on the back. There is also a battery compartment under the sliding cover on the receiver for the four AA batteries. Alkaline batteries are recommended.
- 5.) Test your remote. The green LED on the receiver should light when a signal is received from the transmitter. Try pressing the large flame adjustment buttons on the transmitter. The left flame adjustment knob on the control valve should turn up or down as the buttons are pressed.

If the LED does not light or the flame adjustment knob does not turn when buttons are pressed check all connections and/or battery strength. The receiver sensor opening must be able to receive sound waves, be sure it is not obstructed.

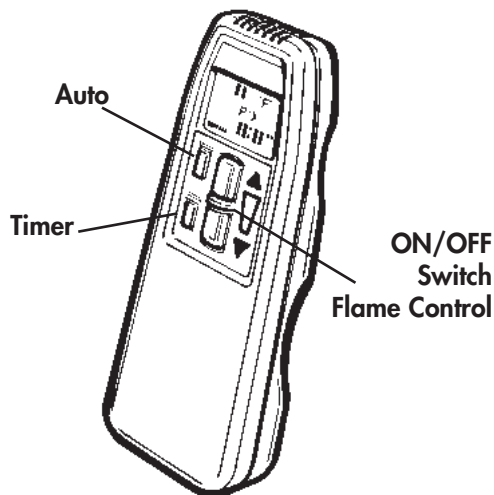


Illustration 18.2 Use the large buttons to turn the main burner ON or OFF and control flame height.

Illustration 18.3 Remember that both the remote control and the remote receiver need batteries!

