

## Instructions for Installation and Operation G30-ZRPTT Remote Control (with Thermostat and Timer)

Caution! Please read these instructions completely before installation and usage.  
This product must be installed and operated according to all applicable regulations!

G30-ZRPTT Remote Controls are designed for use only in gas fires equipped with specially designed combination controls (GV34 or GV36 retrofitted with a motor) produced by Mertik Maxitrol. Due to the integrated thermostat, the G30-ZRPTT is **not to be used with open gas fires!**

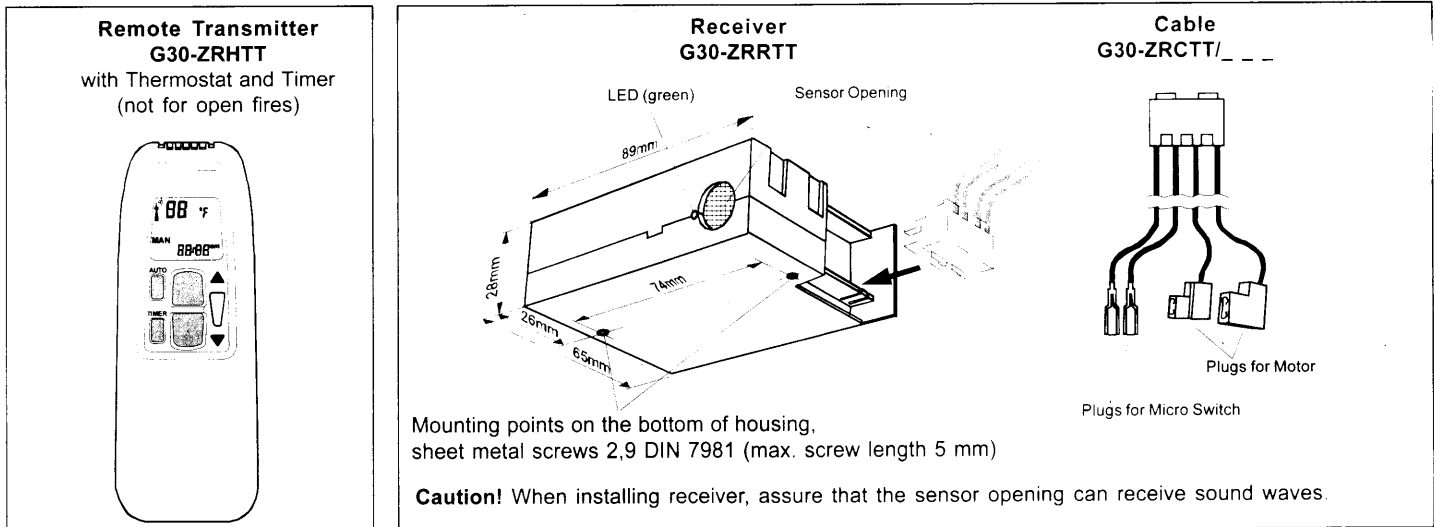


Illustration 1: Components of the Remote Package

### TECHNICAL DATA

Ultrasound Transmission	Range:	1...10m (3...33ft.)
	Frequency:	ON 40,5kHz, OFF 40kHz
Ambient Temperature	Transmitter & Receiver:	max. 60°C (140°F)
	Connecting Cables:	max. 180°C (356°F)
Batteries	Handset:	1 x 9V block (alkaline recommended)
	Receiver:	4 x 1,5V AA (alkaline recommended)

### Connections

The G30-ZRPTT is intended for use only with motorized gas combination controls models GV34 (or GV36 retrofitted with a motor). The receiver cable must be firmly plugged onto the flat blade connectors (motor: 6,3 mm and 4,8 mm; micro switch: both 2,8 mm, see Illustration 2).

### TRANSMITTER FUNCTION

#### Set the Display (from °C/24 h to °F/12 h and vice versa)

- After connecting the battery or by simultaneously pressing **AUTO** and **TIMER**, the display flashes. You are in set mode.
- From set mode, press **AUTO** to switch from °F (and 12 hour clock) to °C (and 24 hour clock) or vice versa.
- The display will automatically return to manual mode after some time, but you may immediately return to manual by depressing the **TIMER** button.

#### Set the current Time

- After connecting the battery or by simultaneously pressing **AUTO** and **TIMER**, the display flashes. You are in set mode.
- From set mode, press (▲) to set the hour and (▼) to set the minute.
- Wait or press **TIMER** to return to "manual" mode.

#### Programming the Desired Set Temperature

- Press **AUTO** until the display flashes.
- Press (▲) or (▼) to set the desired temperature.
- Wait or press **AUTO** to switch to automatic mode.
- A sensor in the transmitter measures the room temperature. The controller compares the room temperature with the set temperature and sends a signal to the receiver to turn the gas valve motor, which adjusts the flame height accordingly.

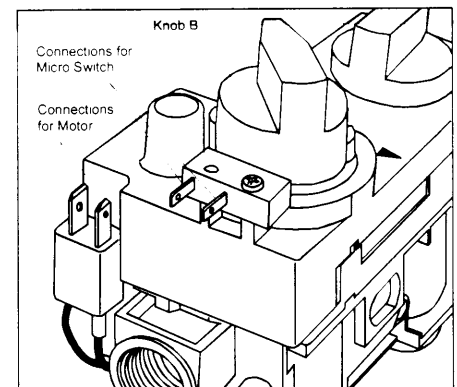
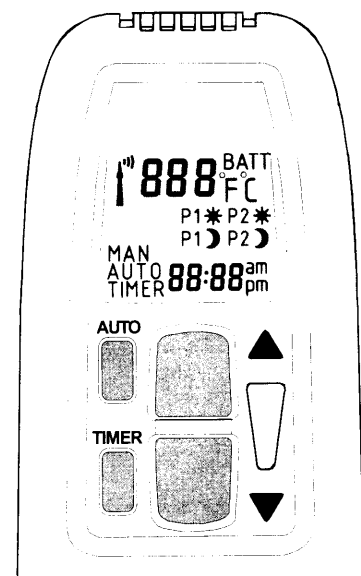


Illustration 2: Cover with Connectors for Micro Switch and Motor



### Programming the Timer

- Press **TIMER** until **P1\*** flashes (period 1, heating cycle on).
- Set the time for the beginning of the first heating period by pressing (**▲**) for hour and (**▼**) for minute.
- Press **TIMER** again; **P1** appears.
- Set the time for the end of the first heating period.
- Press **TIMER** again to set the second heating period **P2\*** (heat on) and **P2** (heat off).
- Store both heating periods by pressing **TIMER** again.
- If only one heating period is desired, program the same time for **P2\*** and **P2** as for **P1\*** and **P1**.

### Manual Mode (MAN in display) for Manual Flame Height Adjustment

- Press (**▲**) to turn on the fire (main burner) or to increase flame height
- Press (**▼**) to decrease flame or to turn down to pilot.
- To incrementally increase or decrease the flame height lightly tap either the (**▲**) or (**▼**) button.
- The "send" symbol appears in the upper left corner of the display when either large button is depressed.
- The LED of the receiver flashes when knob B of the valve reaches its end stops.

### Automatic Mode (AUTO in display) for Temperature Control

- Briefly press **AUTO**. The set temperature will appear briefly before the display reverts to the room temperature.

### Timer Mode (TIMER in display)

- During heating periods **P1\*** and **P2\***, the temperature is controlled in the same manner as in automatic mode.
- When the timer program turns to **▶** (heating cycle off), the motor will turn the valve to pilot and there is no temperature control. This minimizes battery consumption.
- You may press **AUTO** to verify the set-temperature and then press **TIMER** to return to timer mode.
- You may press either the (**▲**) or (**▼**) button from any mode for manual override.
- To prolong battery life, we recommend switching the transmitter to manual mode and turning the fire to pilot with the (**▼**) button before turning the appliance off. If the transmitter is left in automatic or timer mode, the batteries will continue to be used when the appliance is off.

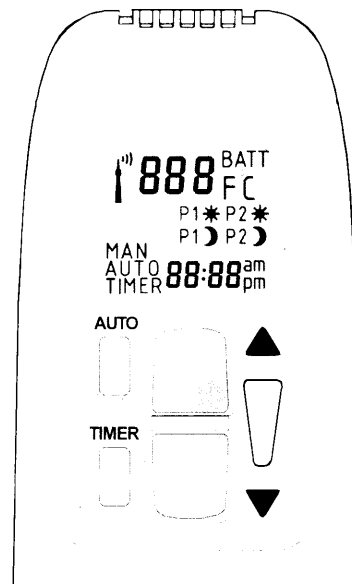
### Changing the Battery

- If **BATT** appears in upper right hand corner of the display or if the LED of the receiver becomes faint, please change the battery from transmitter or receiver. If the batteries lose power, the flame height can be adjusted by manually turning knob B (see illustration 2).

### NOTE

Please note, the placement of the transmitter (temperature sensor) is important to assure proper temperature regulation. Generally, a more constant temperature will be assured, if the transmitter is not too far from the gas appliance. Before switching to **AUTO** or **TIMER** mode, press either button (**▲**) or (**▼**) to verify the reception (when the send symbol appears in the transmitter display, the receiver's LED must illuminate). For the **AUTO** or **TIMER** mode to function correctly, the transmitter must remain within range of the receiver. The transmitter should not be used in very close proximity to the receiver (less than 1m / 3ft) as this could, in very rare cases, produce an electronic switching error. This error could block the motor when the knob reaches the end points of its turning radius. The knob must then be turned manually to free the blockage.

The temperature is controlled by activating the motor for a specific length of time to adjust the appropriate flame height. This time is calculated by the transmitter and depends on variables such as room size, heater capacity, battery power, etc. Therefore, a few cycles are necessary before an optimum is achieved. If a low flame is sufficient to provide enough warmth to the room, then the appliance will cycle between low fire and off. This allows longer periods with the flame on and provides a more uniform room temperature.



It is recommended to turn the combination control either to the off or pilot position if the appliance is left unattended for longer periods (e.g. vacation), so that it cannot receive commands from the remote transmitter. Exercise caution when leaving the appliance unattended, in exceptional cases sound waves from sources other than the transmitter can cause changes in flame height adjustment.

### G30-ZWHG Wall Bracket for Remote Control (Optional)

