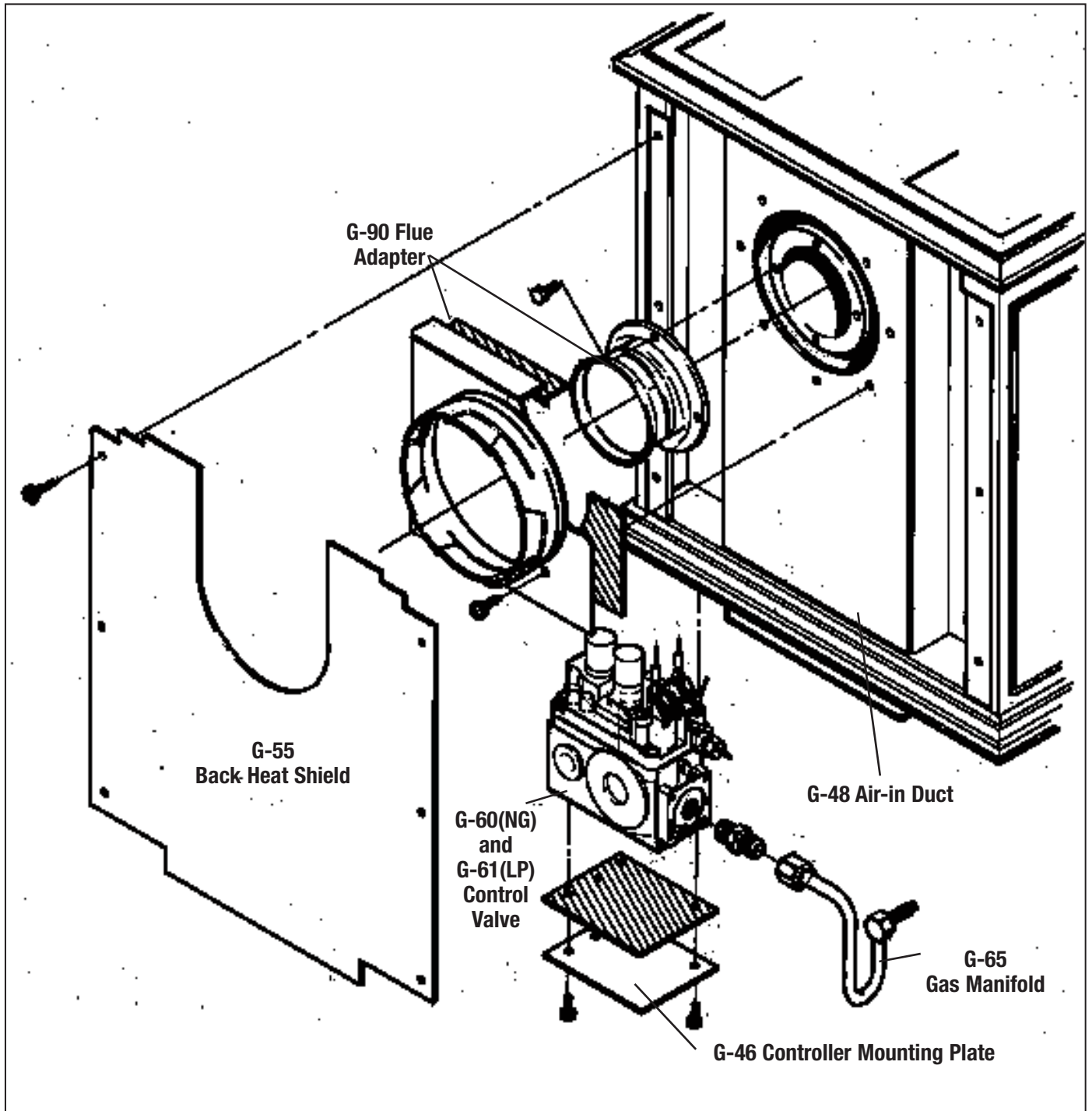


APPENDIX A. PARTS LIST AND REAR EXPLODED VIEW DIAGRAM



Parts List

Franklin Direct Vent Fireplace

Part	Part No.	Part	Part No.
Log Set	G-40	Ceramic Glass Frame Assembly	G-80
Burner	G-41	1.5" S.S.Springs	G-81
Control Panel & Cover	G-42	Top Retaining Hooks	G-82a
Side Stone Retainer	G-43	Side Retaining Hooks	G-82b
Firebox Baffle	G-44	Window Retainer	G-83
Baffle Mounting Clip	G-489		
Controller Mounting Plate	G-46	Protective Window Screen	G-84
Air-In Duct	G-48	Direct-Vent Pipe Adaptor	G-90
Top Stone Retainer	G-49		
Logset Air Shield	G-51	Top Right Stone	G-30
Back Heat Shield	G-55	Top Left Stone	G-31
Bottom Heat Shield	G-53	Top Center Stone	G-32
Side Heat Shield	G-54	Left Side Stone	G-33
		Right Side Stone	G-34
SIT 820.652 NG Control Valve	G-60		
SIT 820.651 LP Control Valve	G-61	Firebox Casting	G-1
PSE LP343 Pilot Assembly LP	G-206L	Firebox Frame Casting	G-2
PSE NA343 Pilot Assembly NG	G-206N	Firebox Cover Casting	G-3
Aluminum Coated Thermocouple	PSE-TC	Stove Base Casting	G-4
24" Thermopile	PSE-018A	Leg Casting	G-5
C1 Pilot Gasket	G-335	Heat Exchanger Casting	G-6
SIT 73.952 Piezo	G-64a	Heat Exchanger Wall Casting	G-7
Gas Manifold	G-65	Heat Exchanger Cover Casting	G-8
3/8 NPT-3/8 Compression Adapter	G-67	Pressure Relief Lid (Heat Exchanger) Casting	G-10
SIT 916.188 Knob Extension O-P-O	G-68	Pressure Relief Lid (Firebox) Lid Casting	G-11
SIT 916.189 Knob Extension H-L	G-69	Air Channel Bridge Casting	G-12
Skytech Remote Unit	SKY-3003P	Pilot Frame Casting	G-13
On-Off Rocker Switch	G-71-1	Left Side Wall Casting	G-15
Rocker Switch Wires	G-71-2	Right Side Wall Casting	G-16
Skytech Wall Thermostat	TS/R-2A	Top Casting	G-17
		Front Casting	G-18

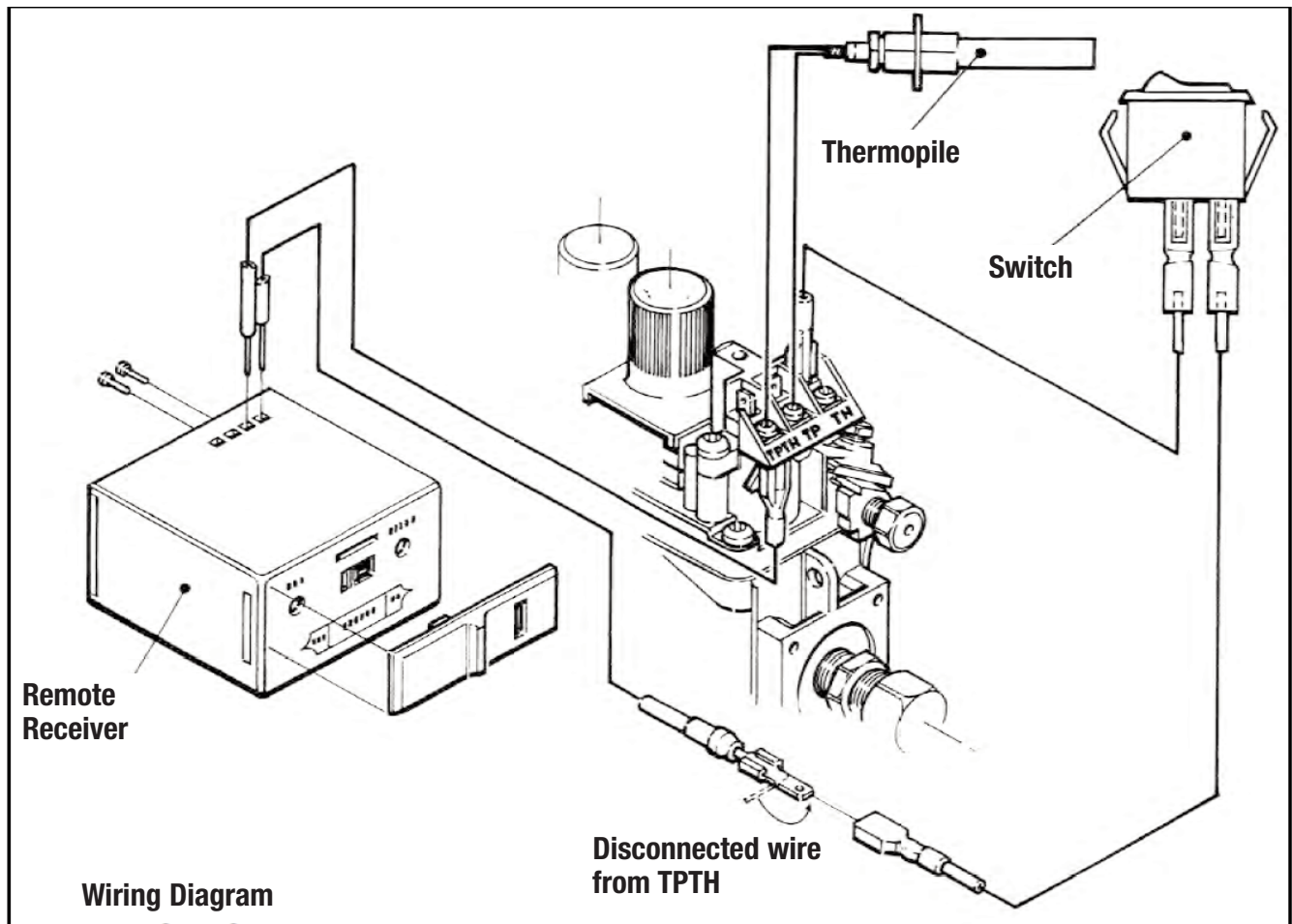
WARNING: do not use substitute materials.

To order parts, or for
information about parts or
service, please contact:

Woodstock Soapstone Company, Inc.
66 Airpark Road
West Lebanon, NH 03784

Tel: 800-866-4344
Fax: 603-298-5958

APPENDIX B. WIRING DIAGRAM - REMOTE CONTROL & WALL THERMOSTAT UNITS



The remote control and wall thermostat should be wired in a series as diagramed above. To operate the remote or wall thermostat, the pilot must be lit and both the gas control knob and the on/off toggle must be turned on. Turn the Remote Receiver to the "REMOTE" position, and operate the Fireplace with the hand-held remote. *(Note: the face of the Remote Receiver has three positions: 1) OFF, 2) REMOTE, and 3) ON. The Switch must be in the center position (REMOTE) for the remote control to work. The OFF position will turn the burner off, and the ON position on the Remote Control Receiver will bypass the remote and turn the burner on.)*

INSTALLATION INSTRUCTIONS FOR OPTIONAL REMOTE CONTROL OR WALL THERMOSTAT RECEIVER

1. Disconnect the wire from the bottom of the controller unit which is attached to the tab labeled "TPTH". Bend the tab on one of the remote leads to make a male plug, and attach it to the female end of the disconnected wire.
3. Connect the second wire from the Remote Receiver to the bottom tab labeled "TPTH" (where you just disconnected a wire). Place the Remote Receiver beside or under the stove.
4. Mount the Remote Control or Thermostat as described in the instructions that were included with the unit.